

# LED ALUMINIUM PROFILE 2026



# CONTENTS

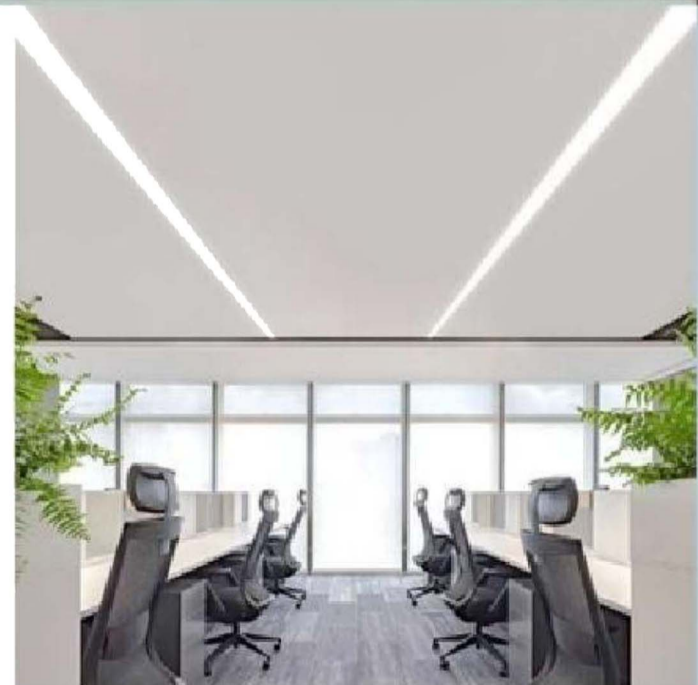
— LED ALUMINIUM PROFILE —



**P17-84**  
Furniture lighting line

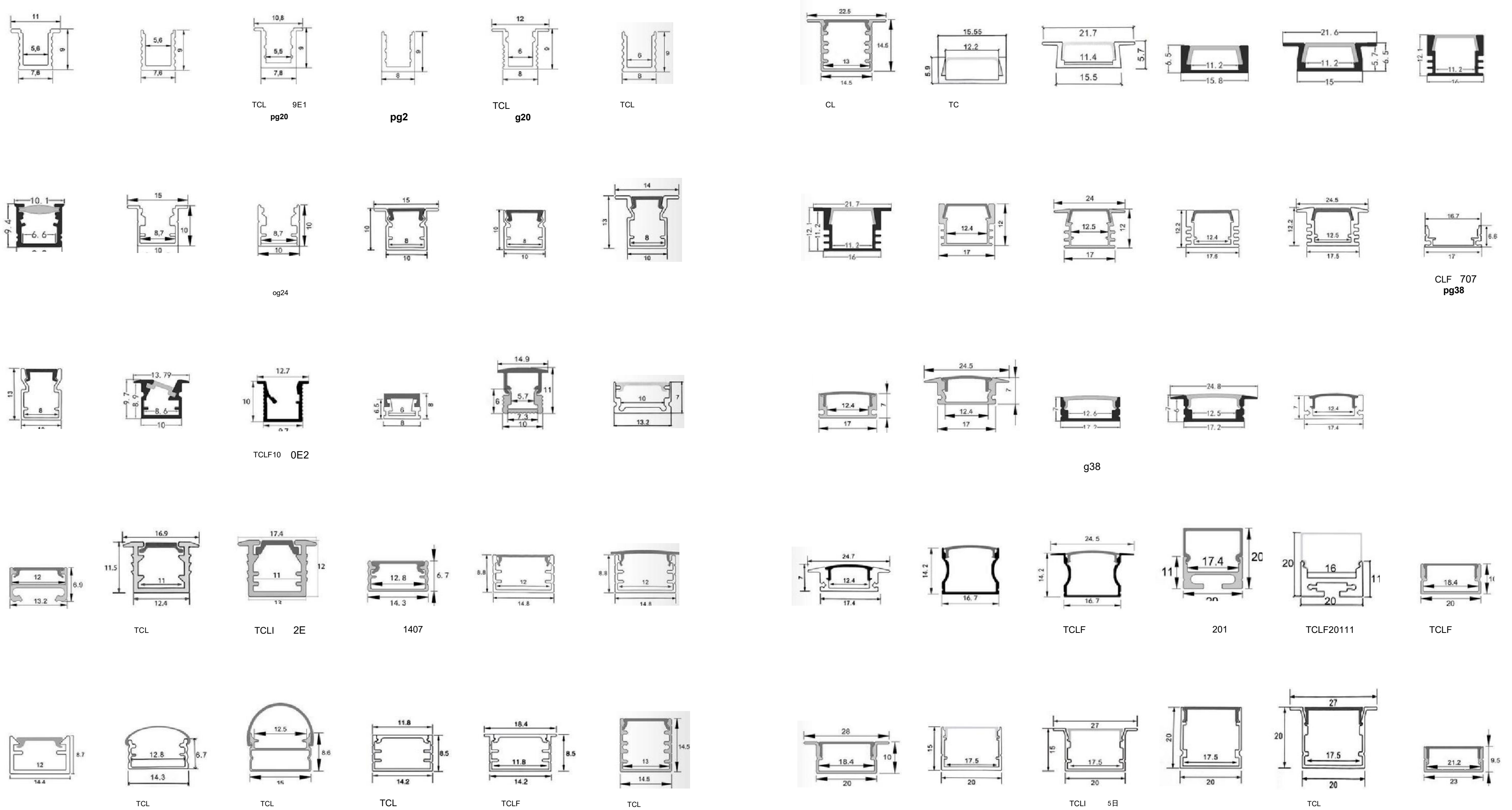


**P85-112**  
Decoration building material

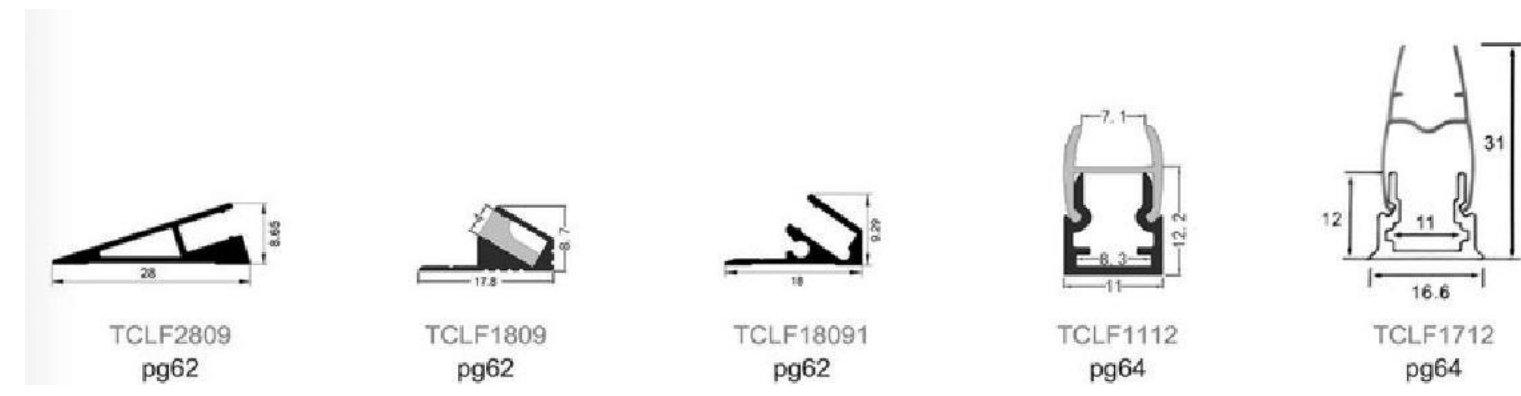
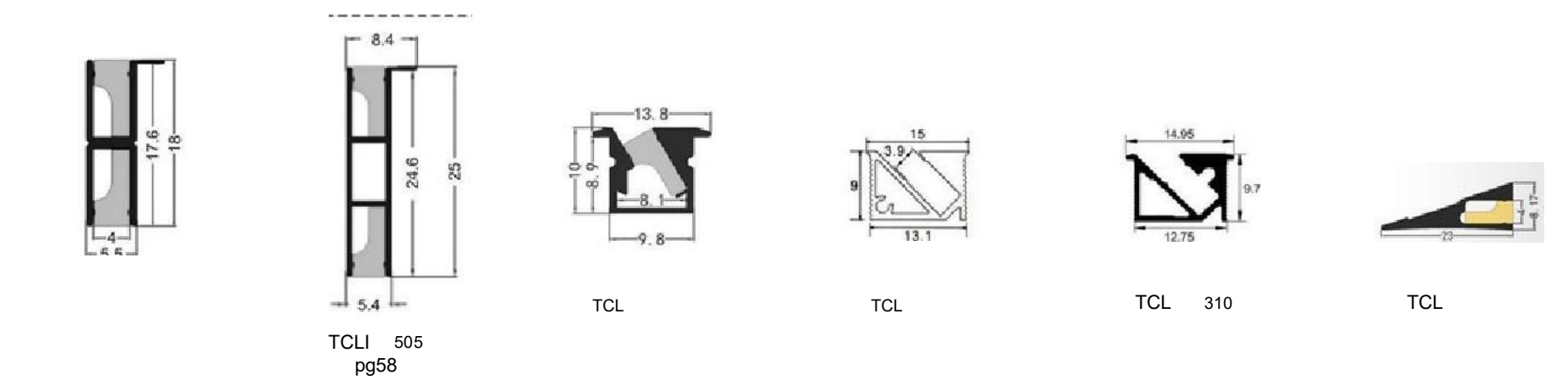
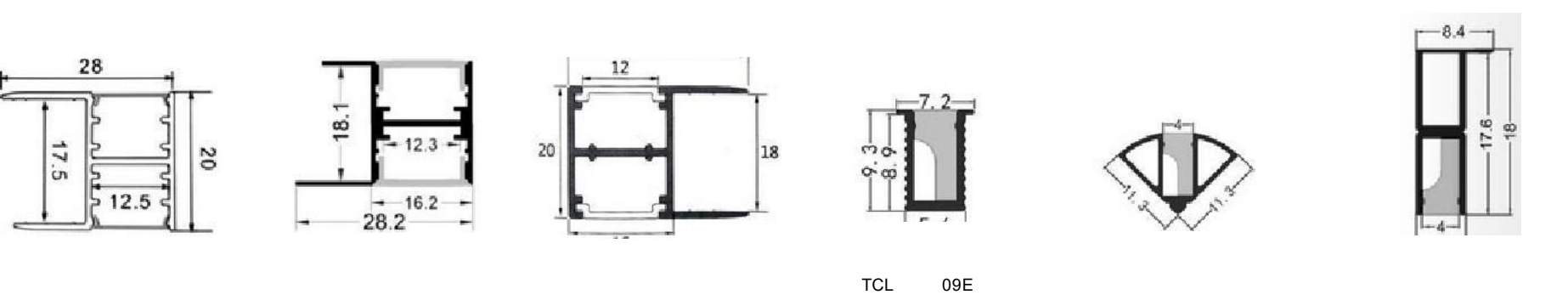
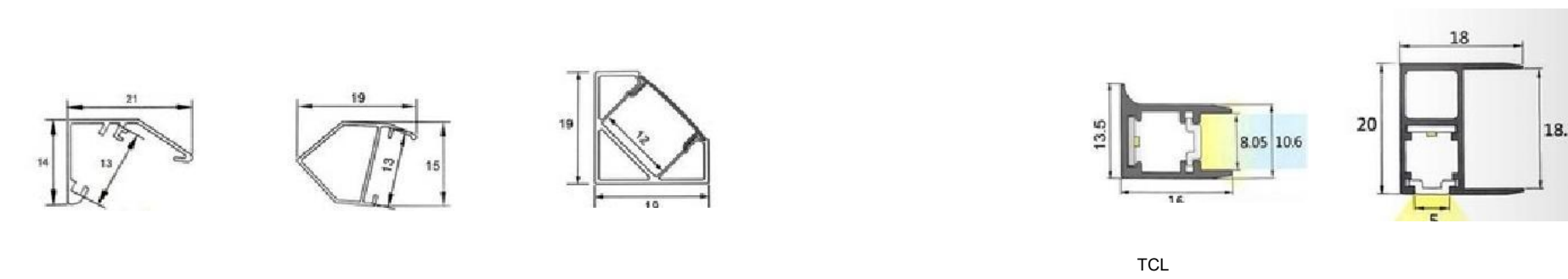
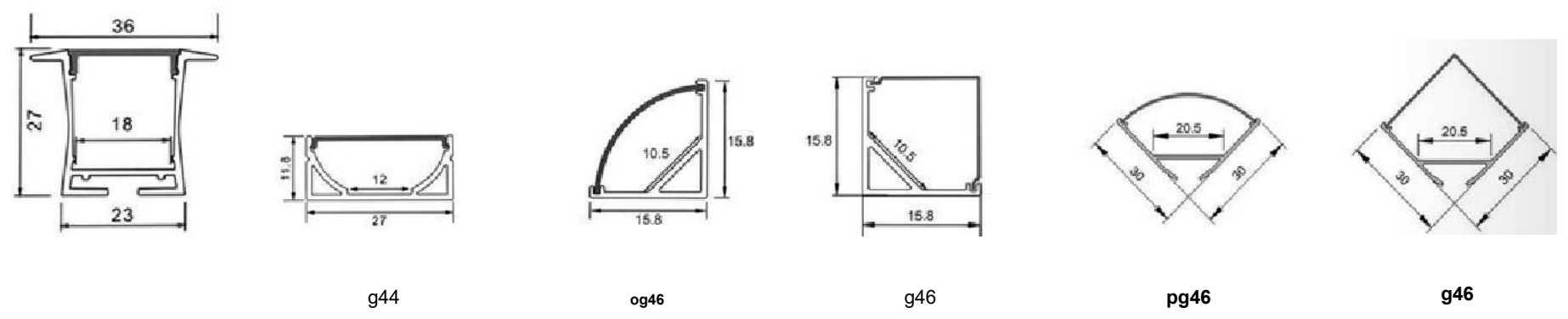
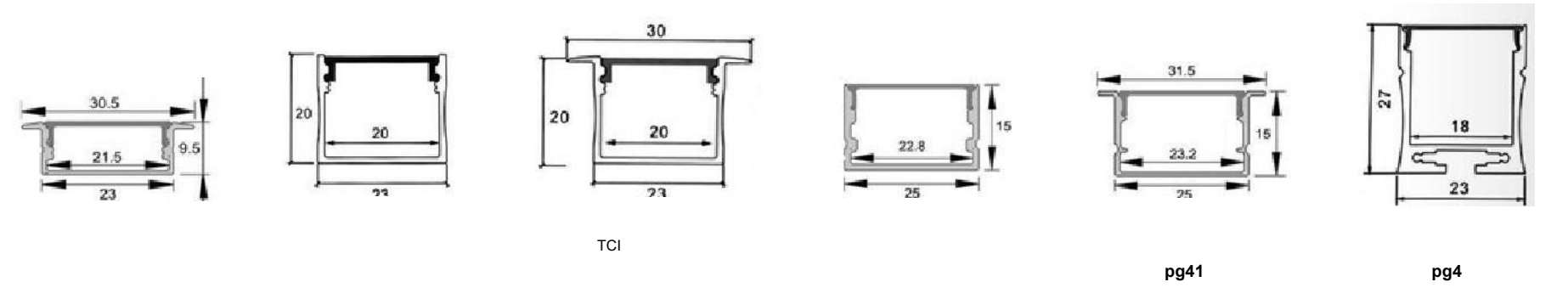


**P113-148**  
Office lighting line

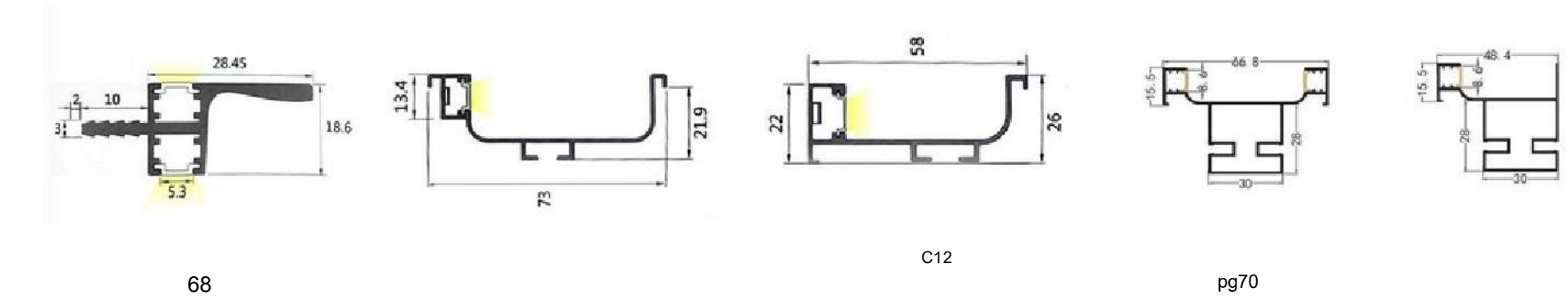
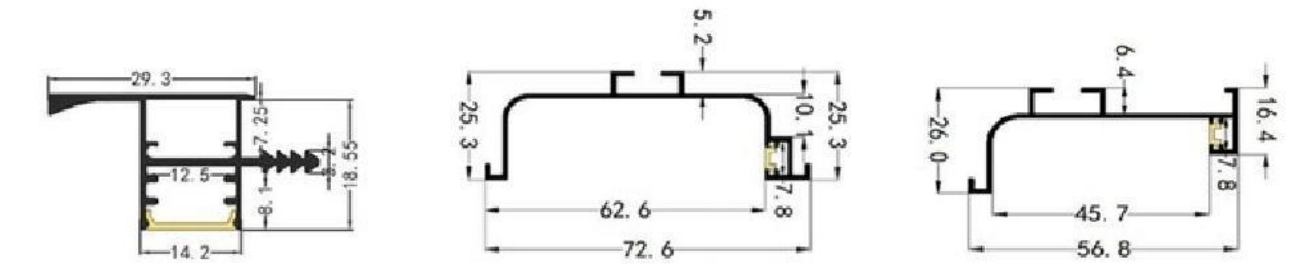
Furniture lighting line



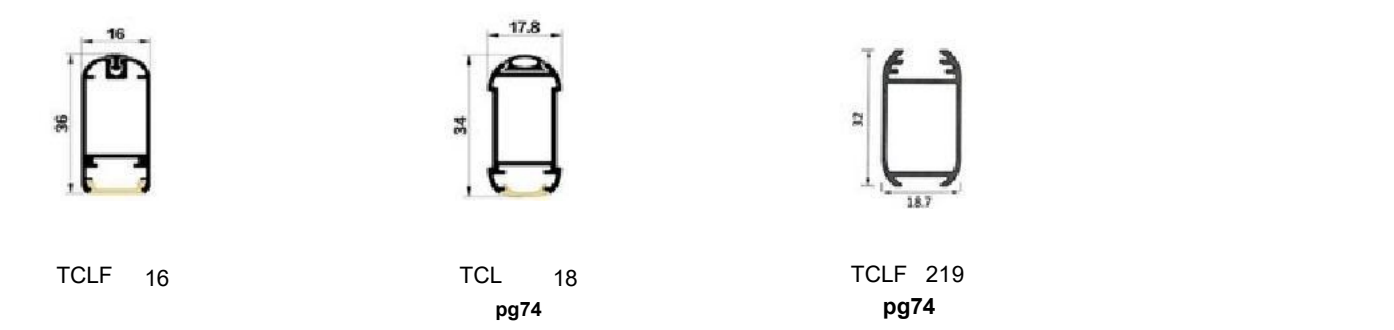
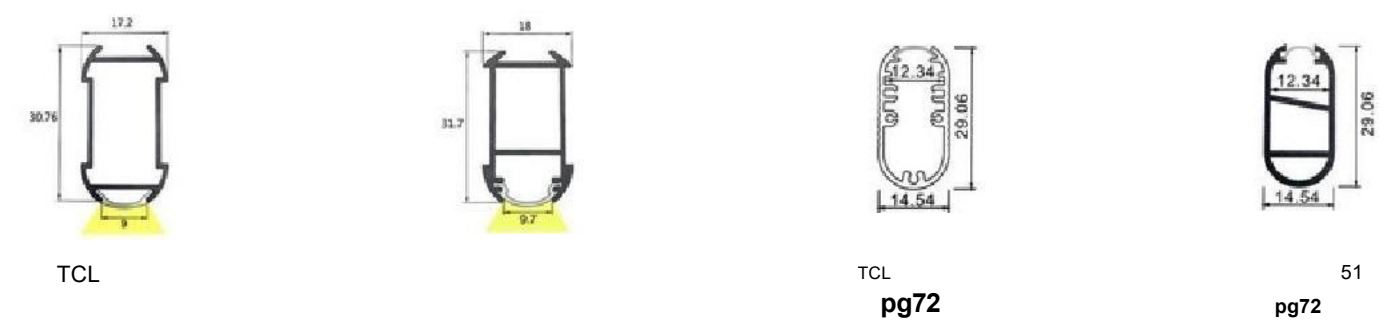
## Furniture lighting line



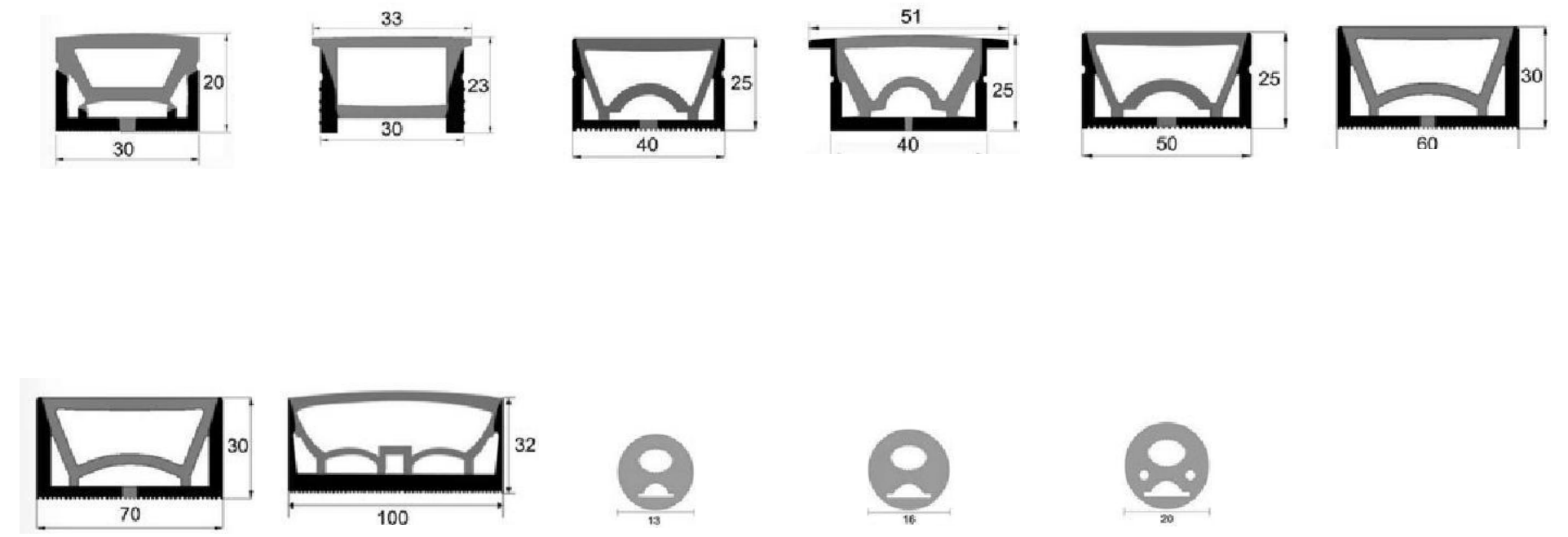
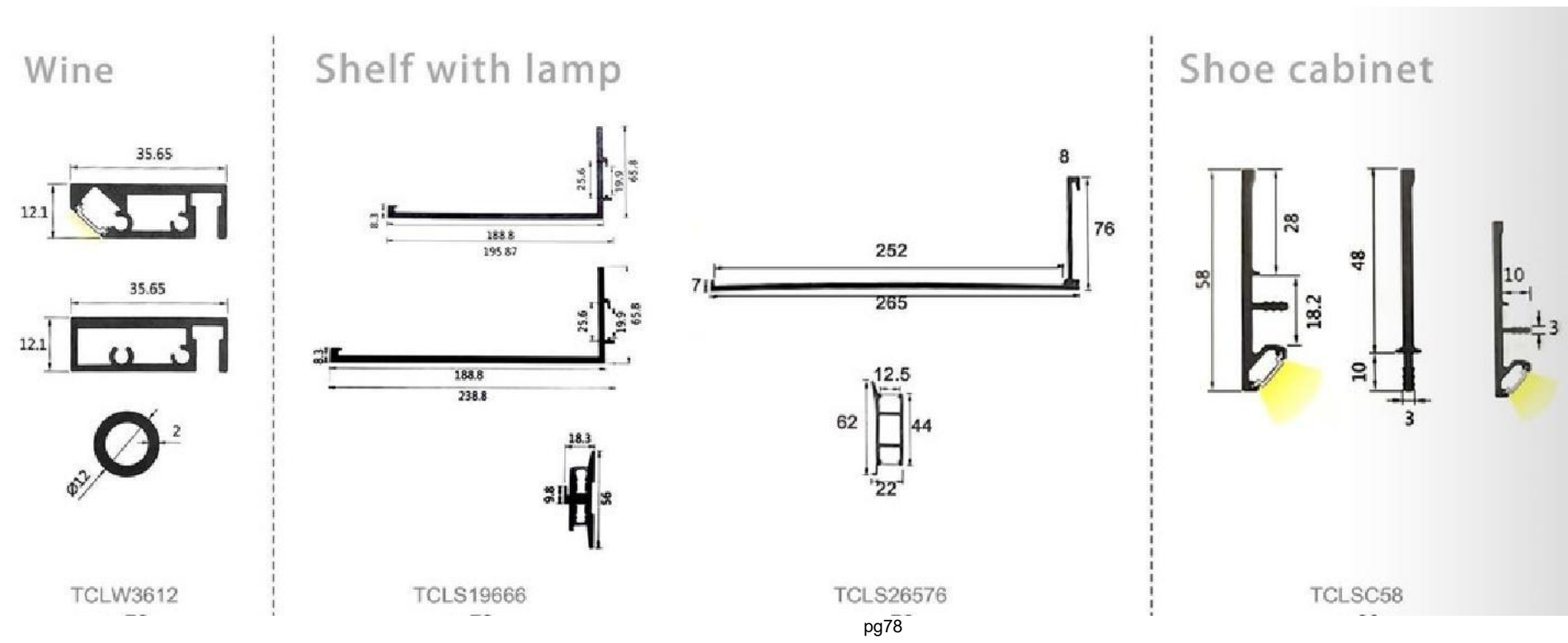
### Hide handle with lamp



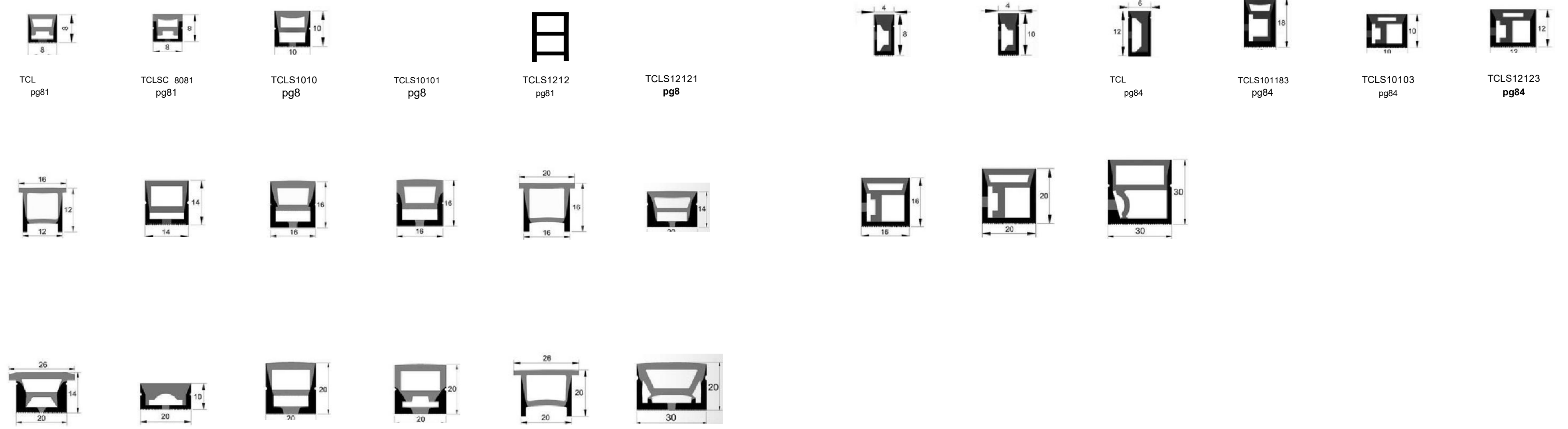
### Wardrobe tube



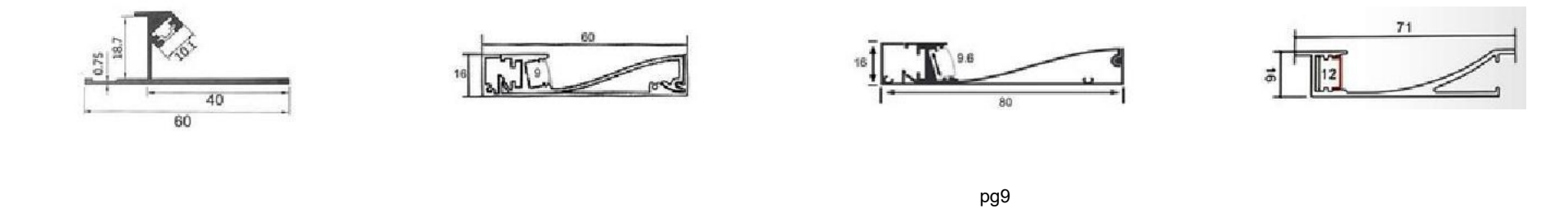
## Furniture lighting line



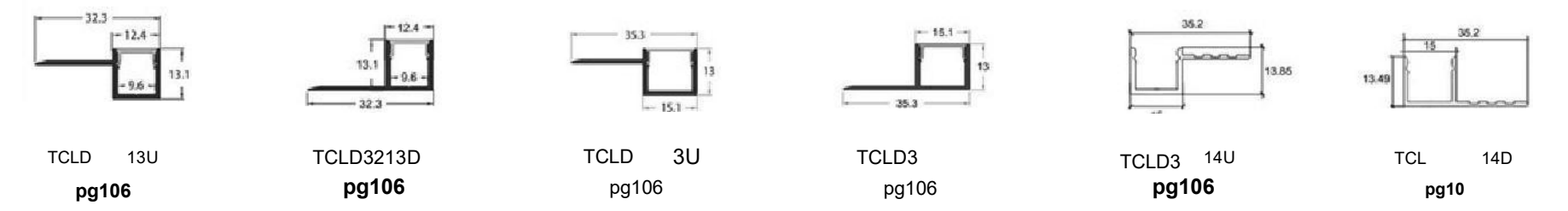
## Flexible silicone sleeve



# Decoration building material



pg9



TCLD 13U  
pg106

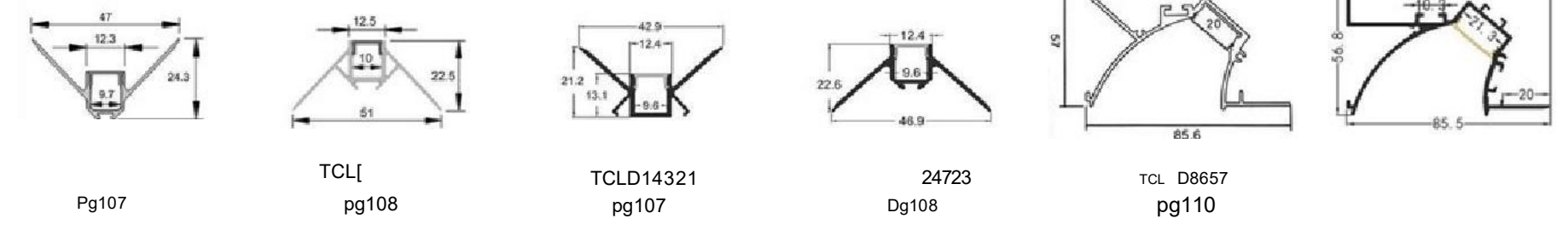
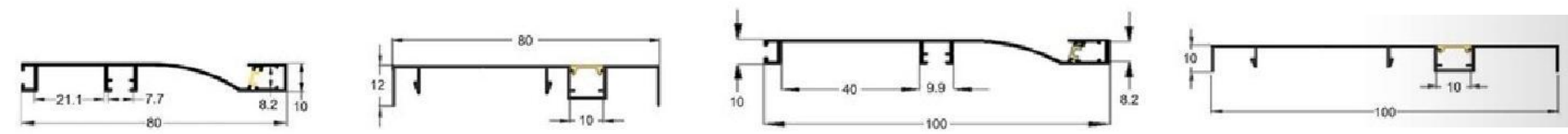
TCLD3213D  
pg106

TCLD 3U  
pg106

TCLD3  
pg106

TCLD3 14U  
pg106

TCL 14D  
pg10



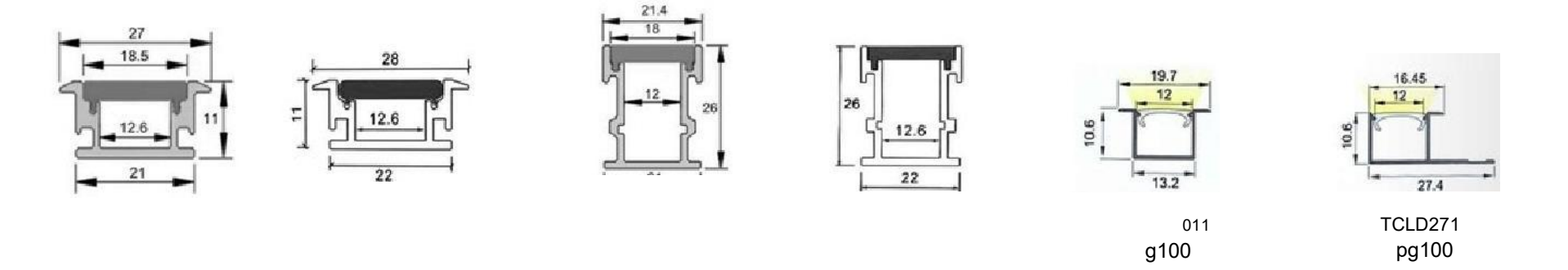
Pg107

TCL[  
pg108

TCLD14321  
pg107

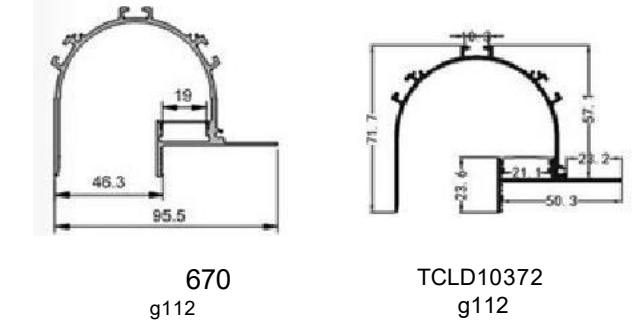
24723  
Dg108

TCL D8657  
pg110



011  
g100

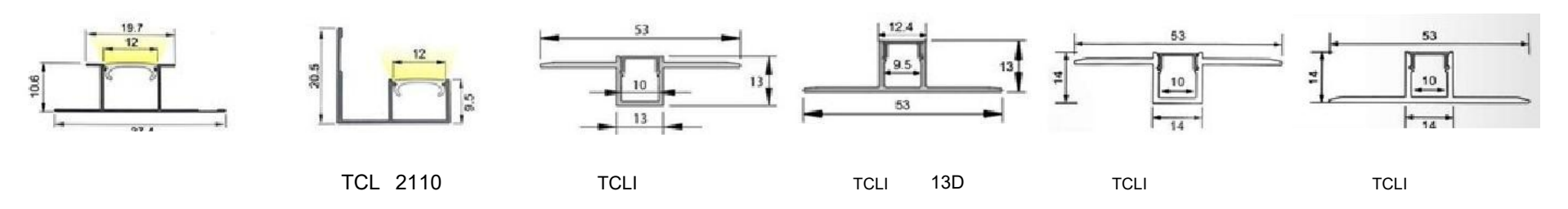
TCLD271  
pg100



670  
g112

TCLD10372  
g112

## Office lighting line



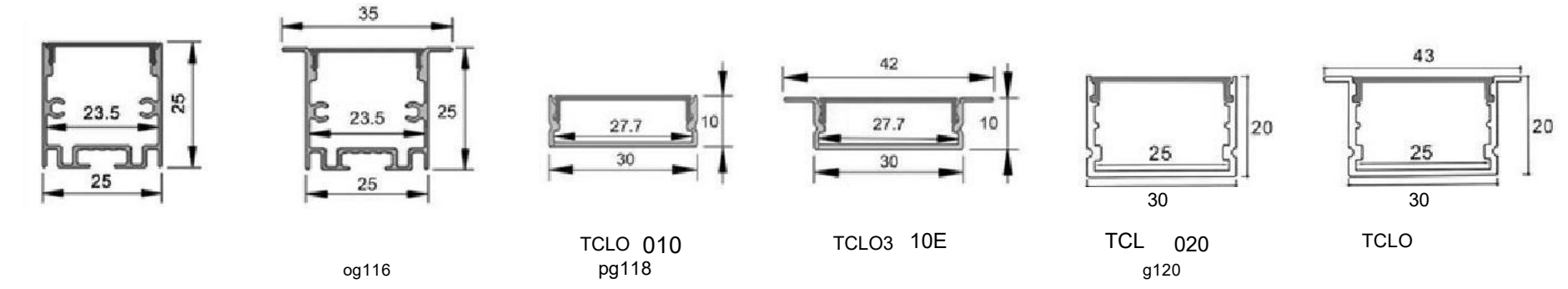
TCL 2110

TCLI

TCLI 13D

TCLI

TCLI



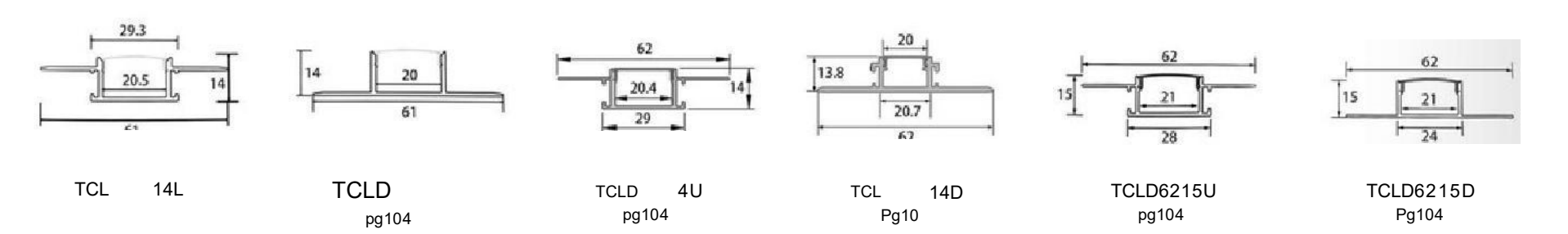
og116

TCLO 010  
pg118

TCLO3 10E

TCL 020  
g120

TCLO



TCL 14L

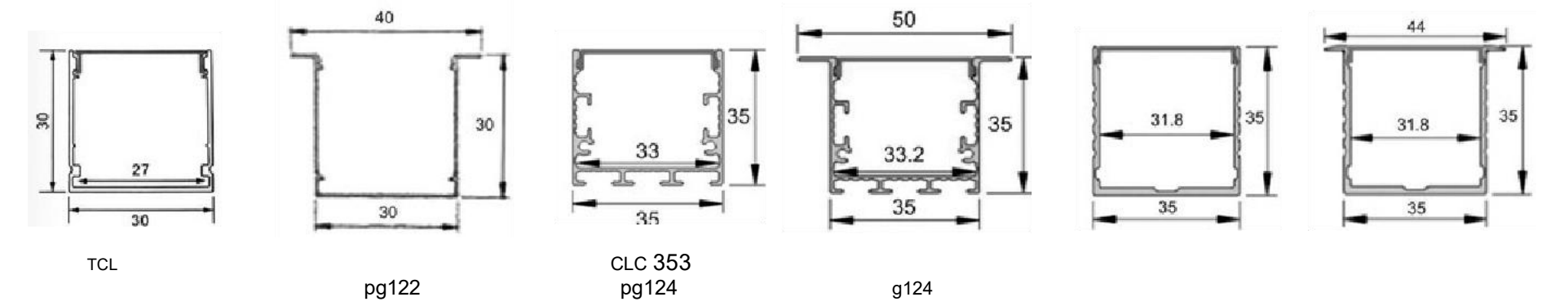
TCLD  
pg104

TCLD 4U  
pg104

TCL 14D  
Pg10

TCLD6215U  
pg104

TCLD6215D  
Pg104



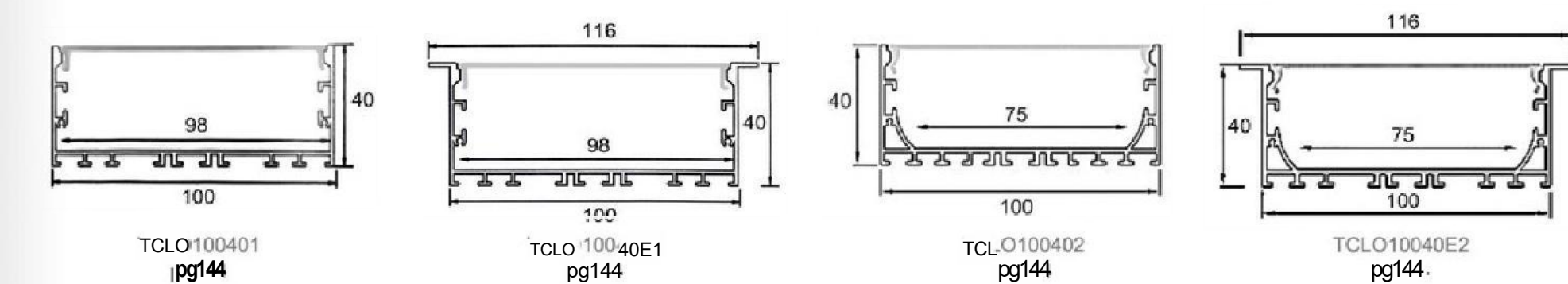
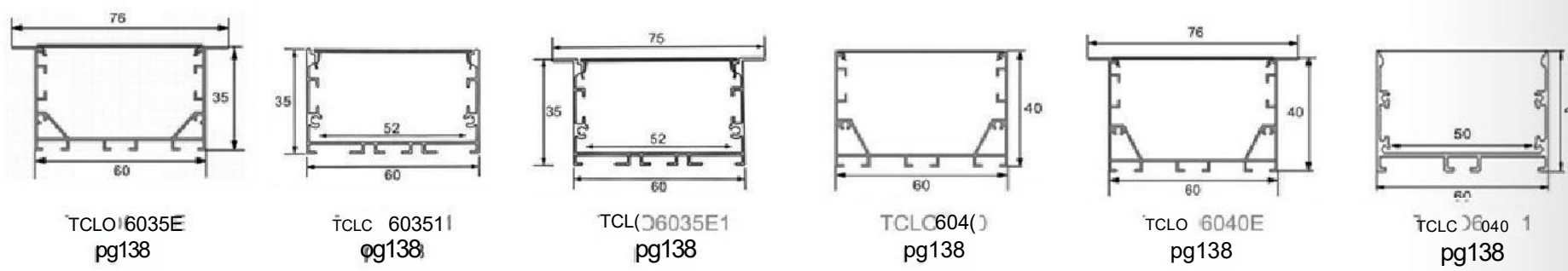
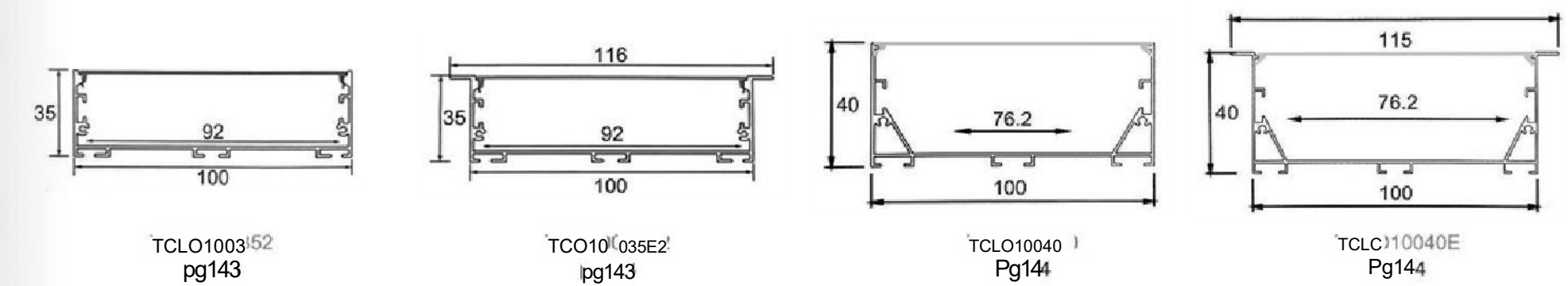
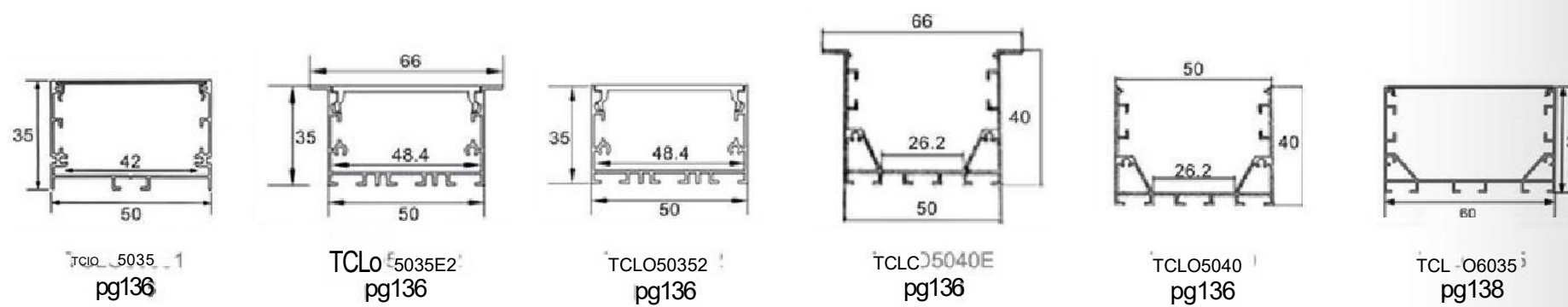
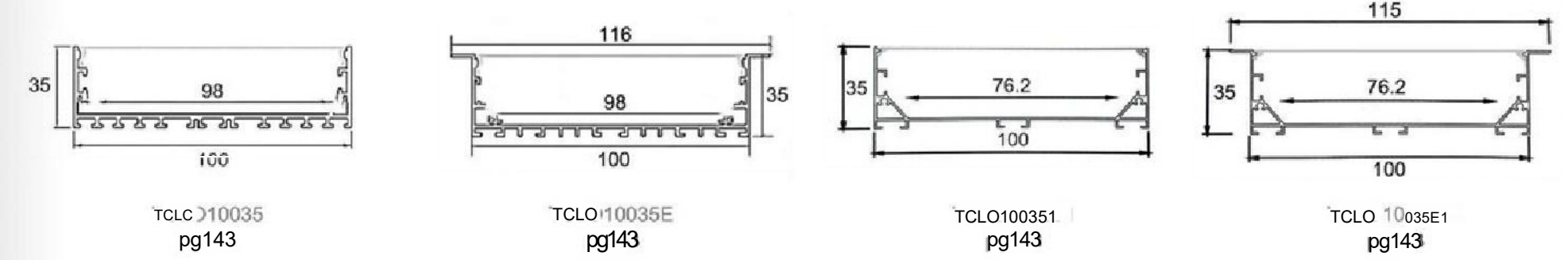
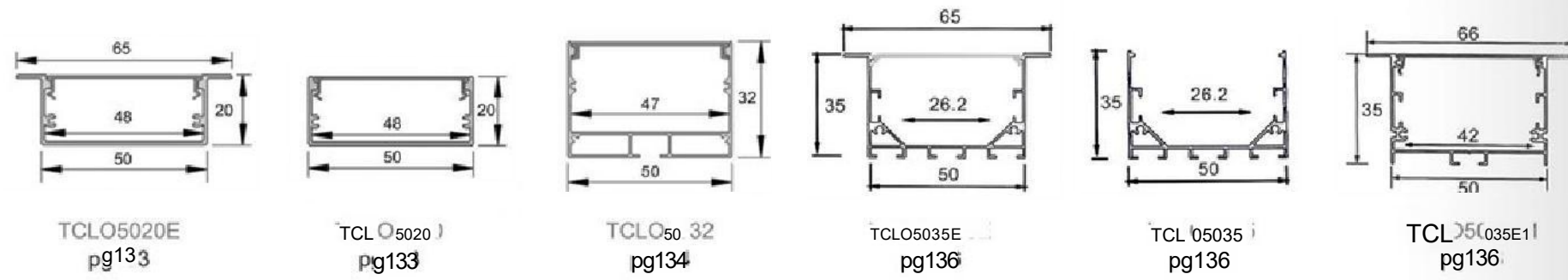
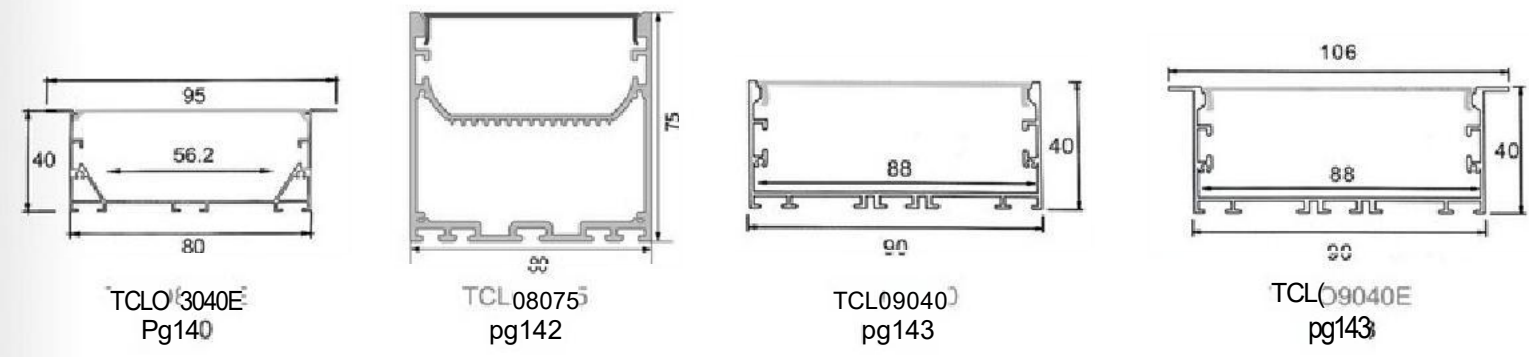
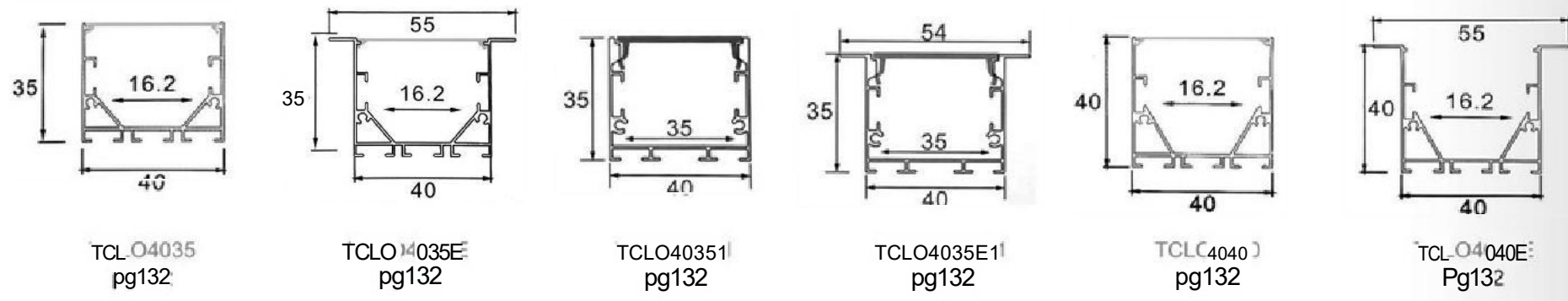
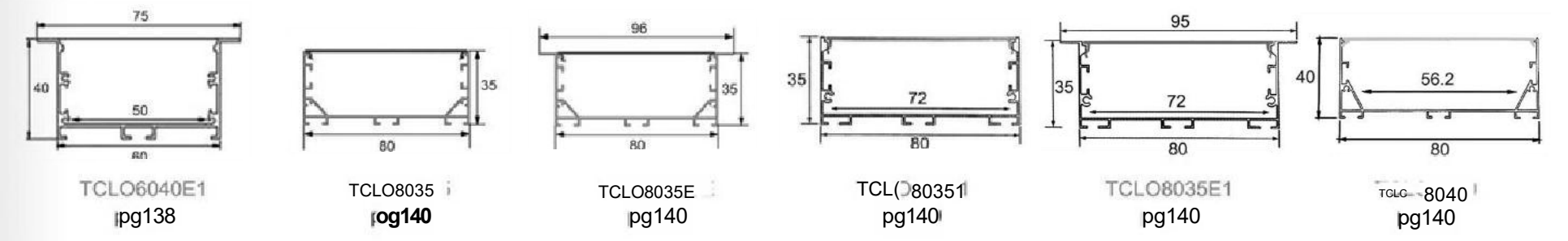
TCL

pg122

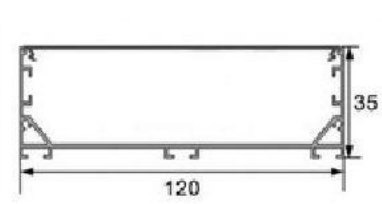
CLC 353  
pg124

g124

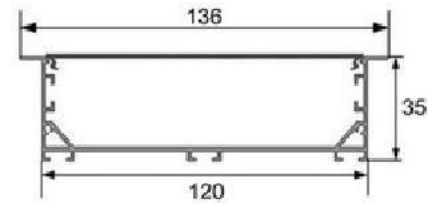
Office lighting line



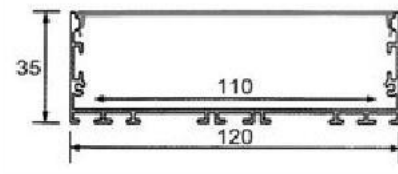
Office lighting line



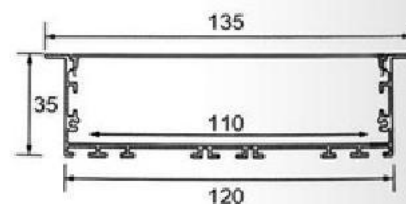
TCL O12035  
pg144



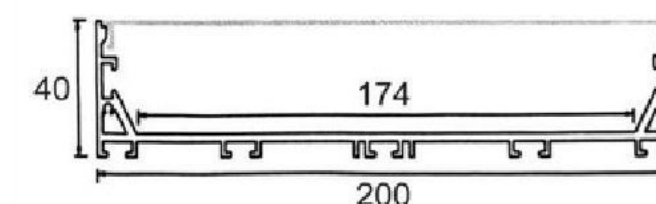
TCL O12035E  
pg144



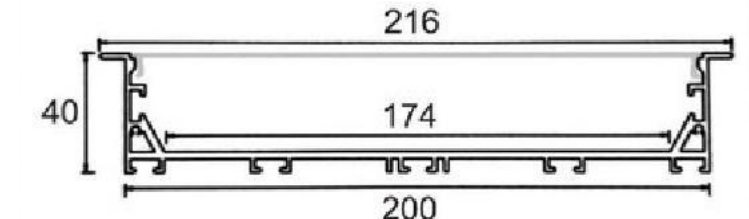
TCL O120351  
pg144



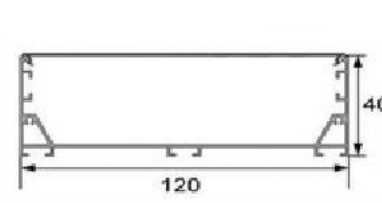
TCL O12035E1  
pg144



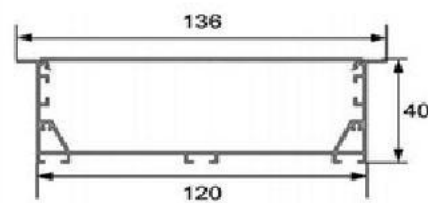
TCL O20040  
pg148



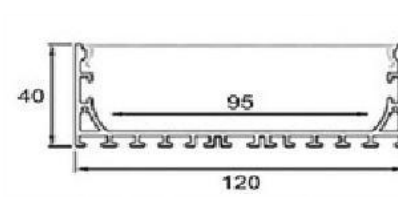
TCL O20040E  
pg148



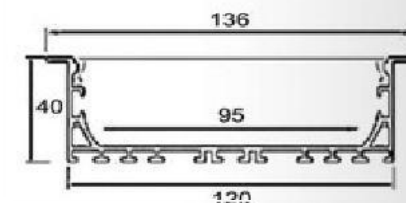
TCL O12040  
pg145



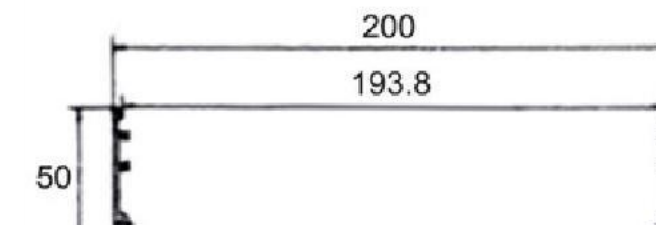
TCL O12040E  
pg145



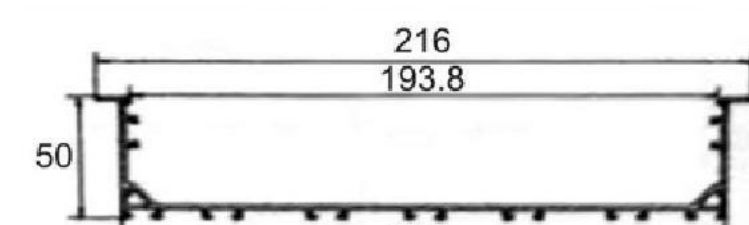
TCL O120401  
pg145



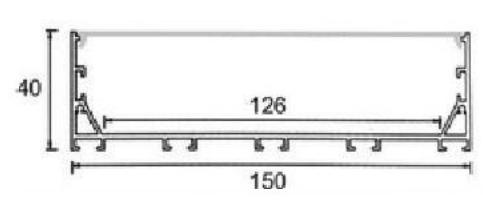
TCL O12040E1  
pg145



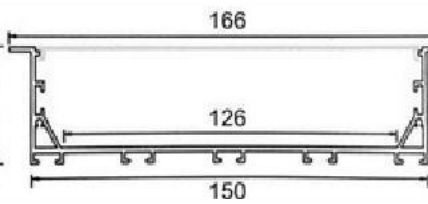
TCL O20050  
pg148



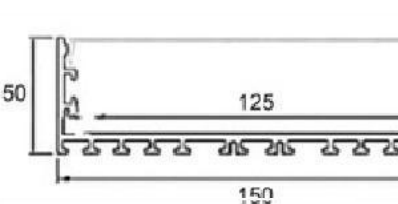
TCL O20050E  
pg148



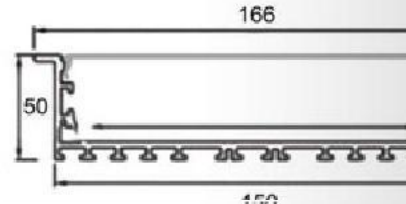
TCL O15040  
pg146



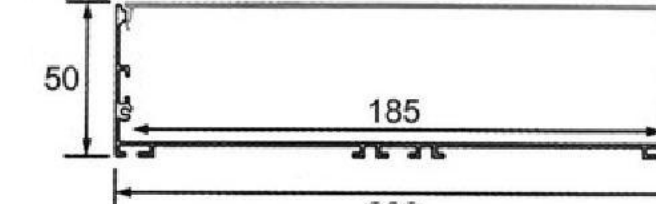
TCL O15040E  
pg146



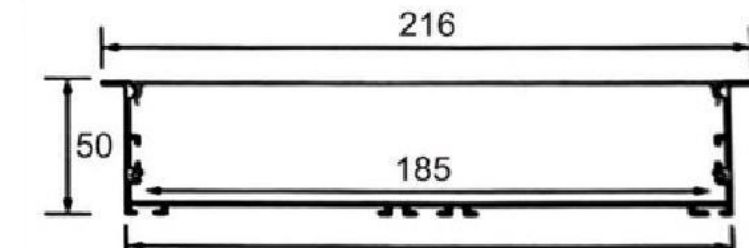
TCL O15050  
pg146



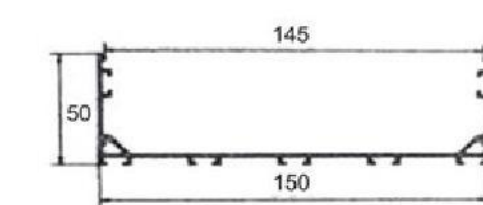
TCL O15050E  
pg146



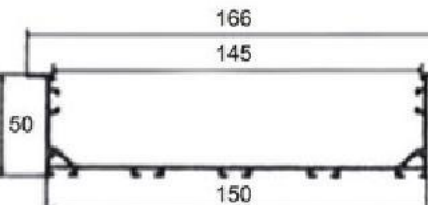
TCL O200501  
pg148



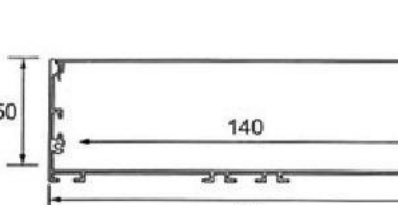
TCL O20050E1  
pg148



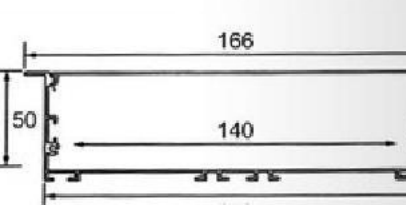
TCL O150501  
pg146



TCL O15050E1  
pg146



TCL O150502  
pg146



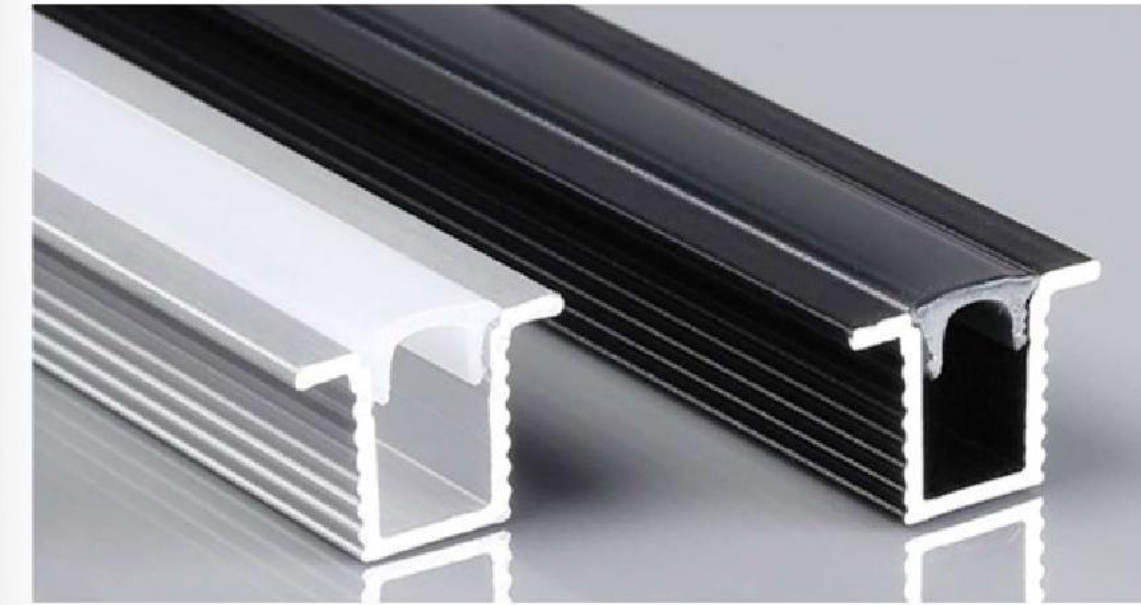
TCL O15050E2  
pg146

# *Furniture*

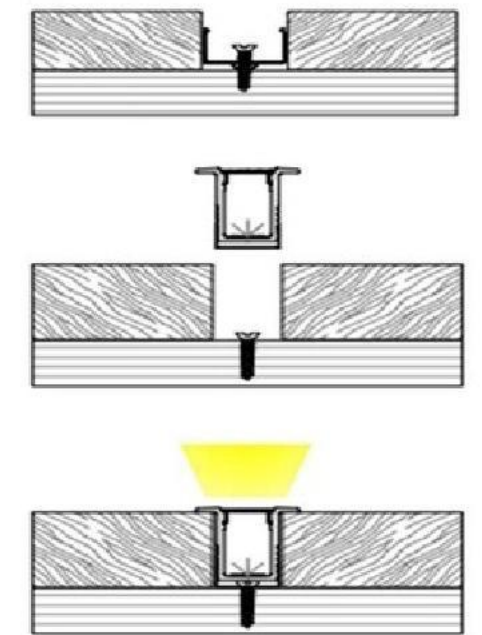
*Lighting Line*



# Width below 9.4mm



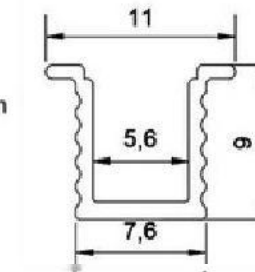
### Installation step



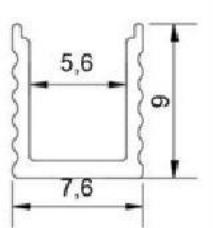
### Accessories



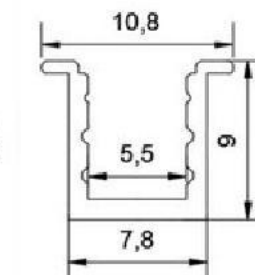
**TCLF0809E**  
Unit: mm →  
Weight: 0.0627kg/m  
Thickness: 1mm



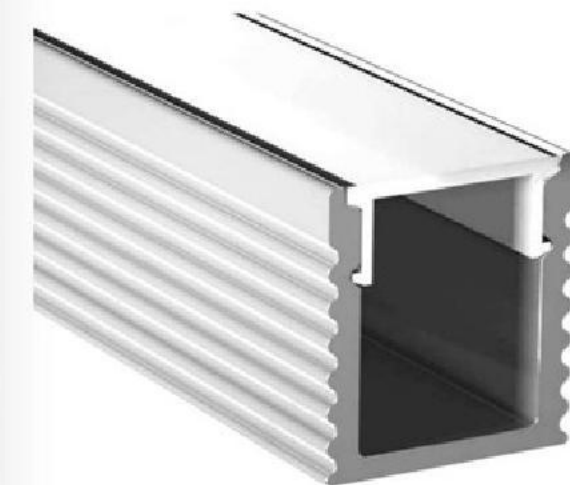
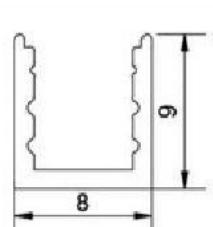
**TCLF0809**  
Unit: mm →  
Weight: 0.0555kg/m  
Thickness: 1mm



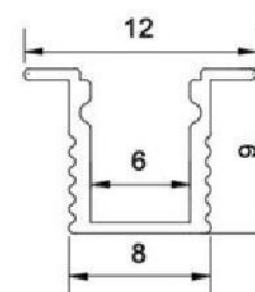
**TCLF0809E1**  
Unit: mm →  
Weight: 0.072kg/m  
Thickness: 1.15mm



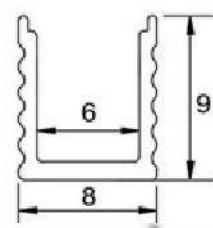
**TCLF08091**  
Unit: mm →  
Weight: 0.068kg/m  
Thickness: 1.15mm



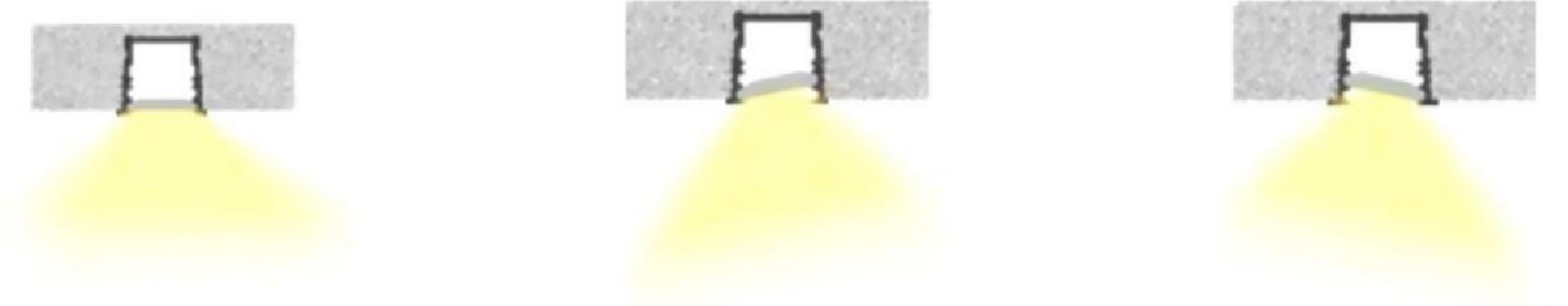
**TCLF0809E2**  
Unit: mm →  
Thickness: 1mm



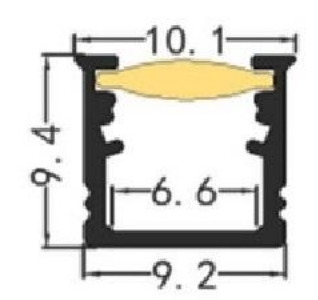
**TCLF0609**  
Unit: mm →  
Thickness: 1mm



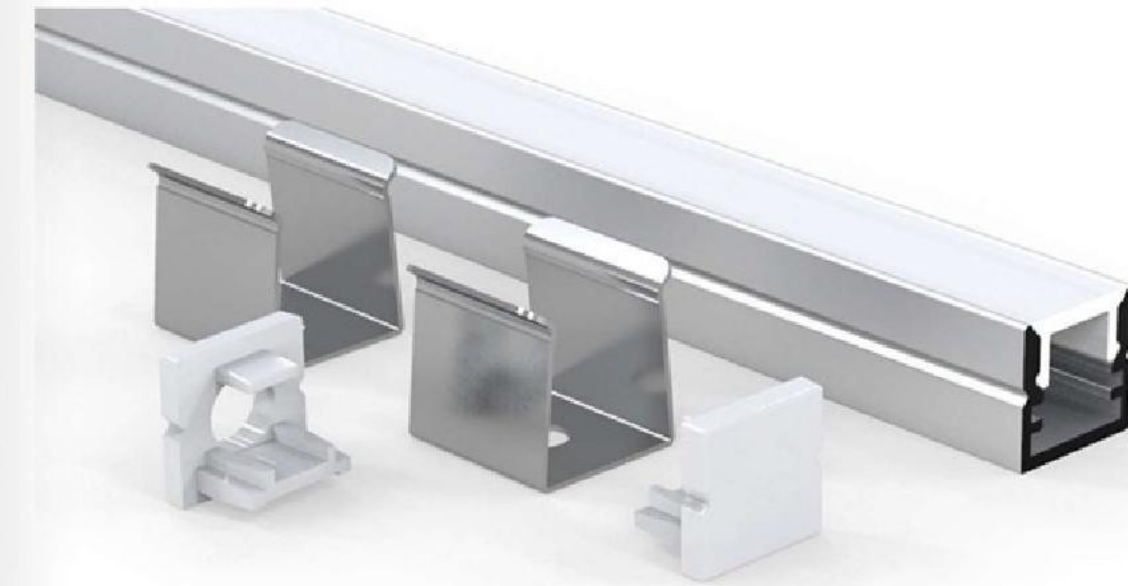
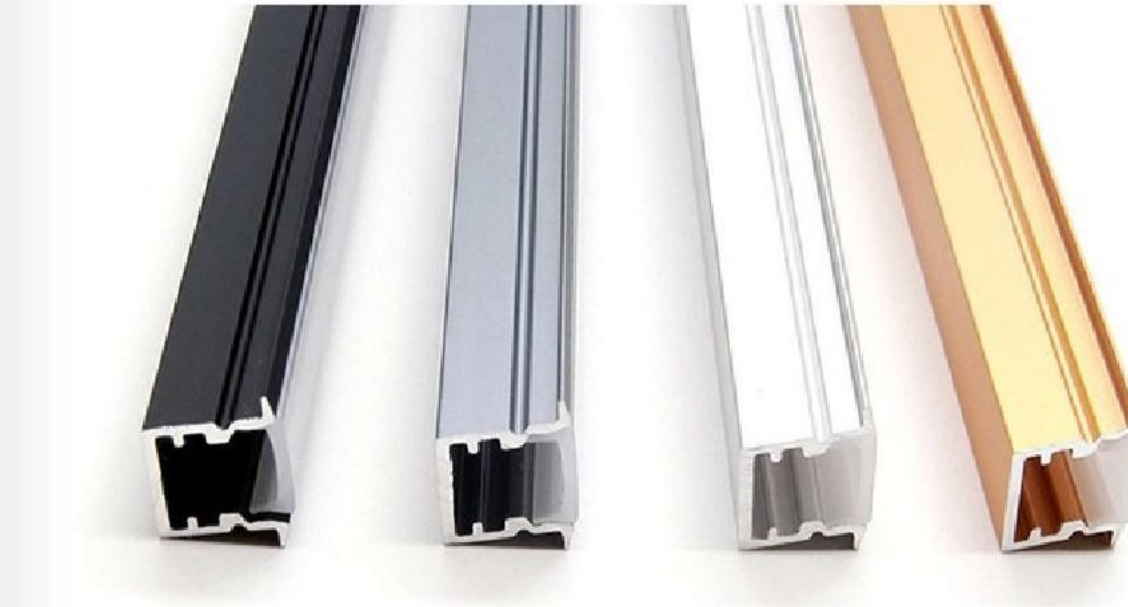
# Width below 9.4mm



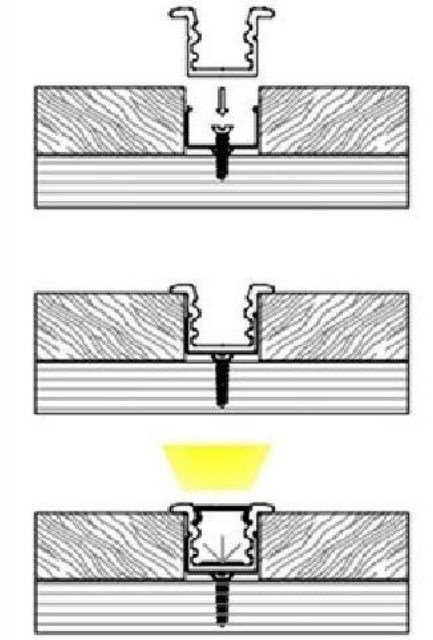
TCLF0909  
Unit: mm →  
Thickness: 1.3mm



# Width of 9.5-10mm



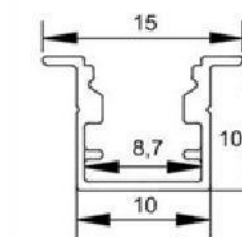
### Installation step



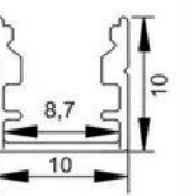
### Accessories



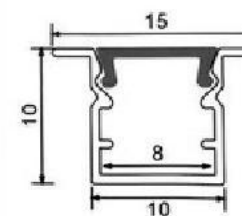
**TCLF1010E**  
Unit:mm →  
Weight:0.0861ka/n  
Thickness:0.65mm



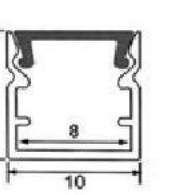
**TCLF1010**  
Unit:mm →  
Weight:0.0774ka/n  
Thickness:0.65mm



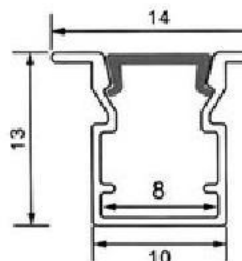
**TCLF1010E1**  
Unit: mm →  
Weight: 0.066kg/m  
Thickness: 1mm



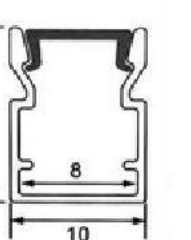
**TCLF1 0101**  
Unit:mr  
Weight:0.059kg/m  
Thickness:1mm



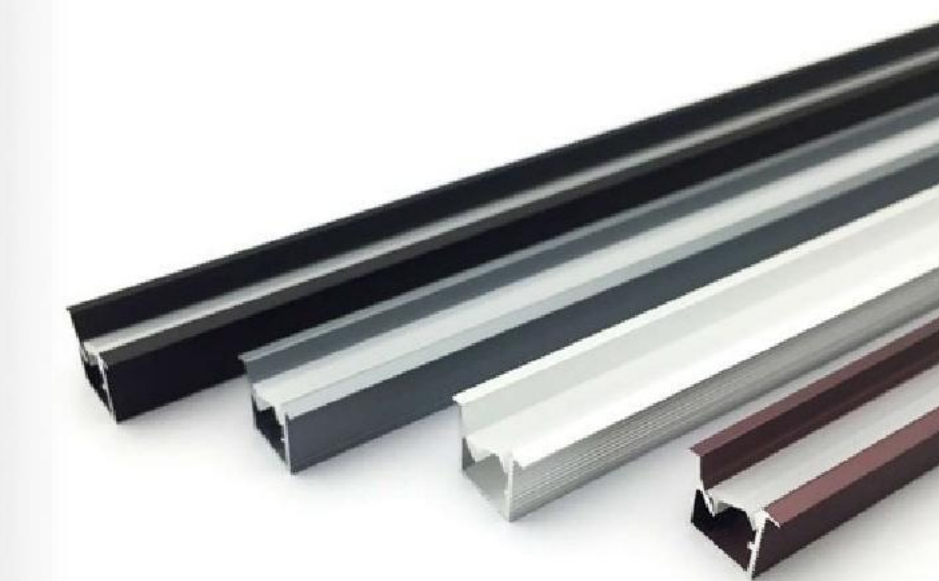
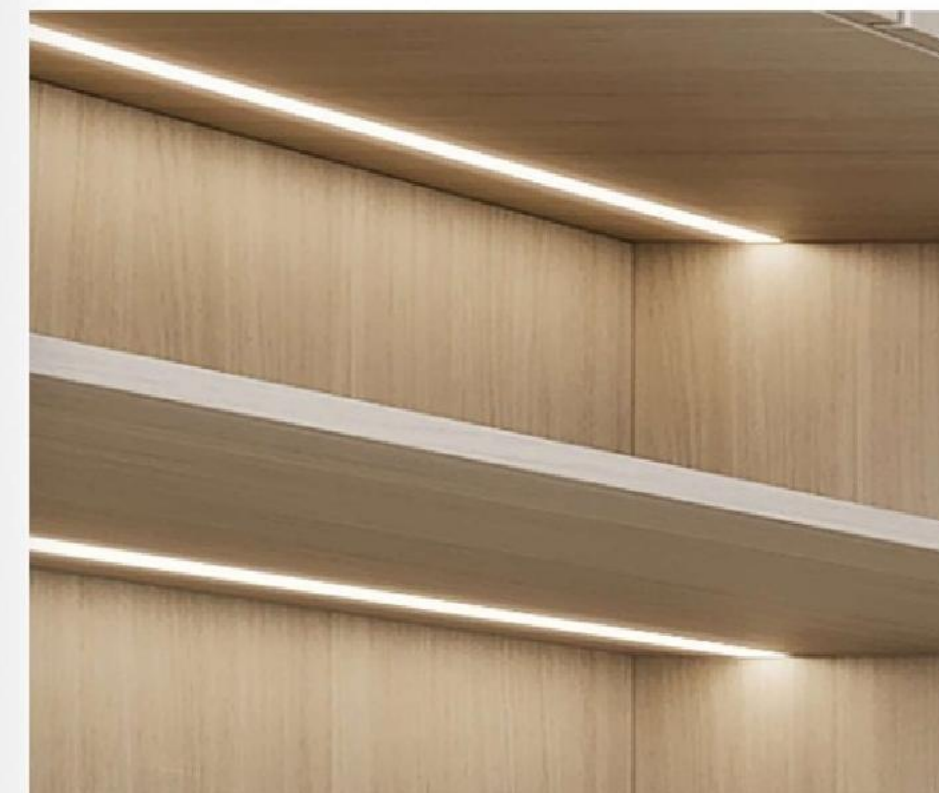
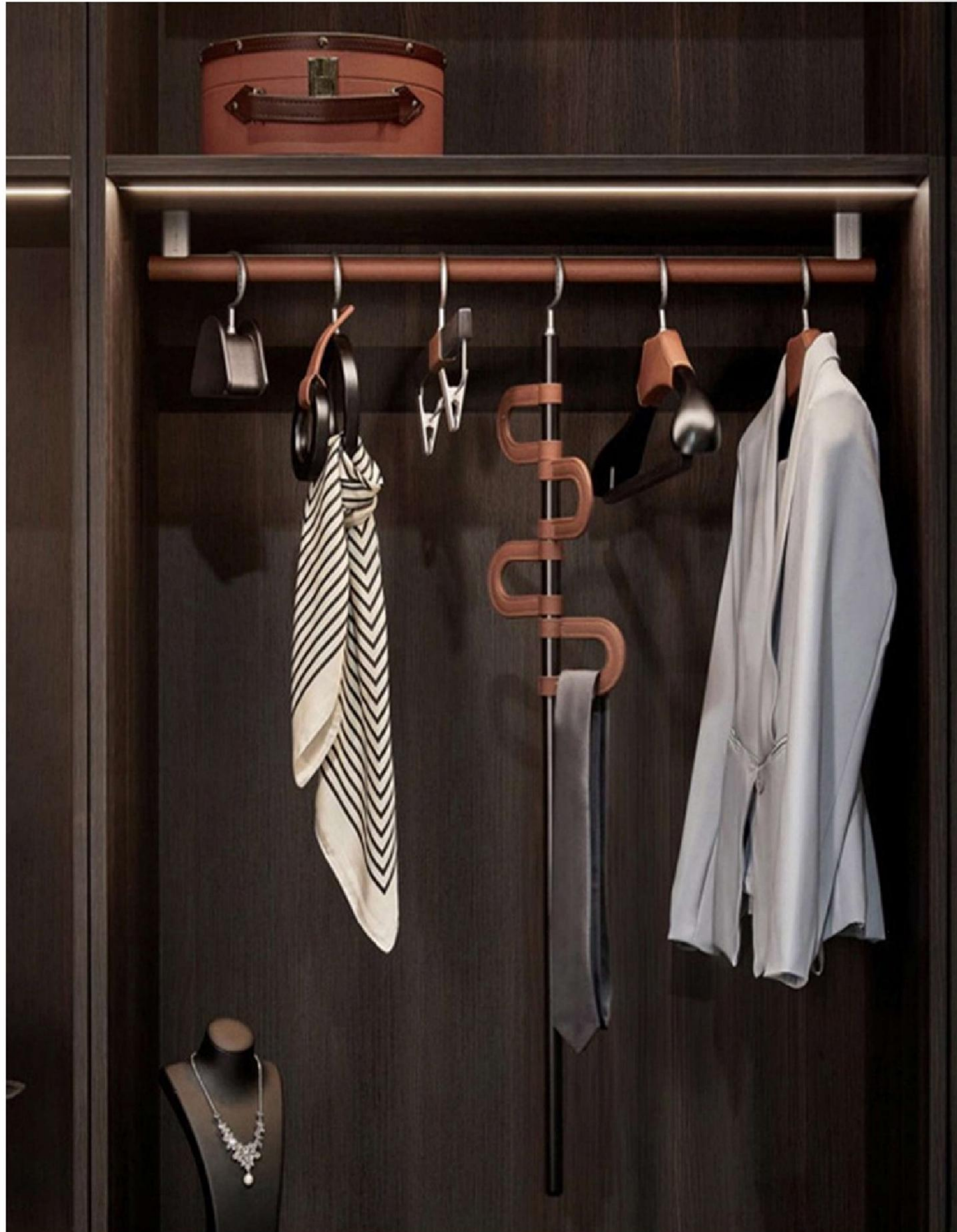
**TCI\_F10\_3E**  
Unit:m →  
Weight: 0.084kg/m  
Thickness: 1mm



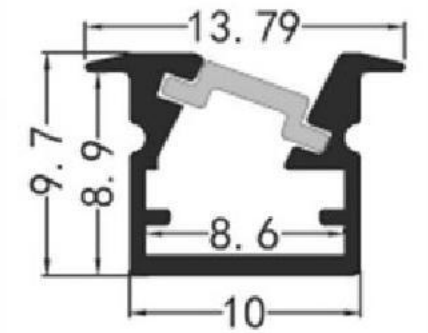
**TCI\_F1013**  
Unit:mm! →  
Weight: 0.073kg/m  
Thickness: 1mm



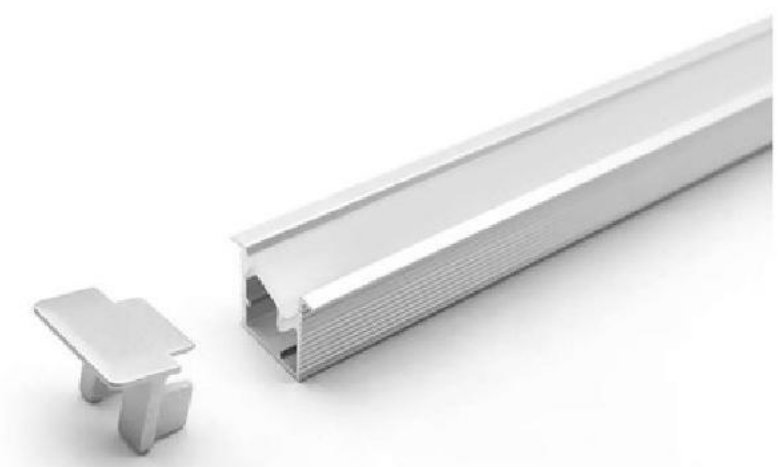
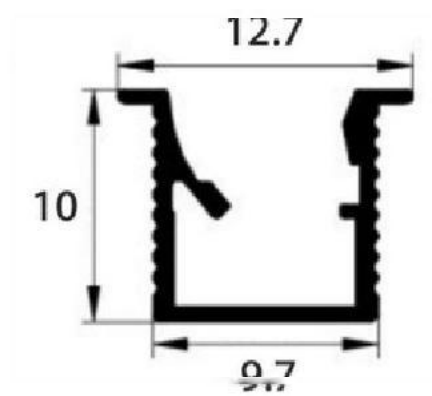
# Width of 9.5-10mm



**TCLF1010E1**  
Unit: m →  
Thickness: 0.7mm



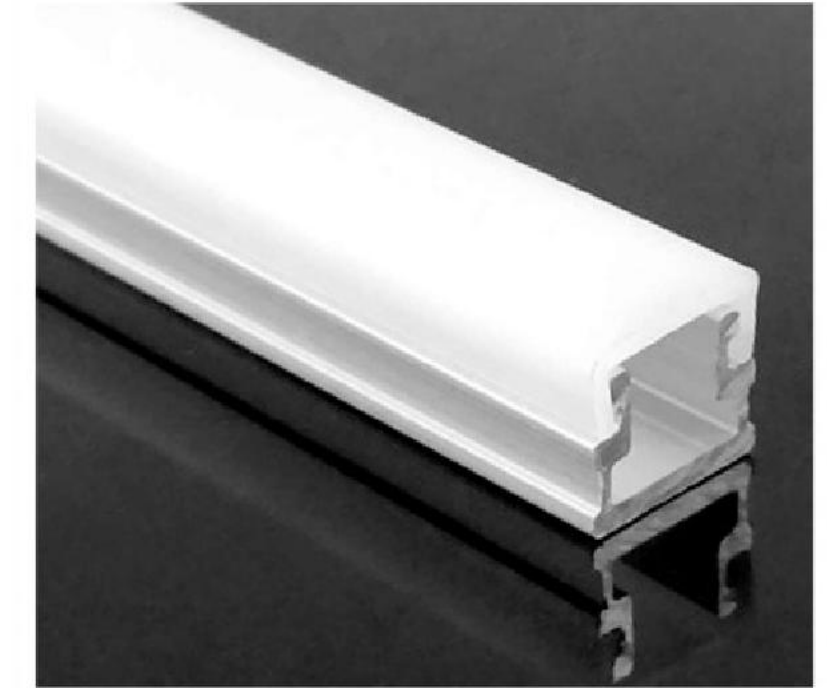
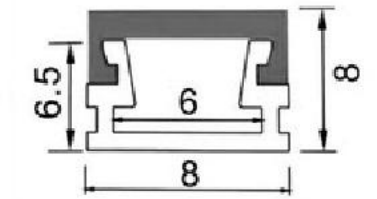
**TCLF1010E2**  
Unit: mm →



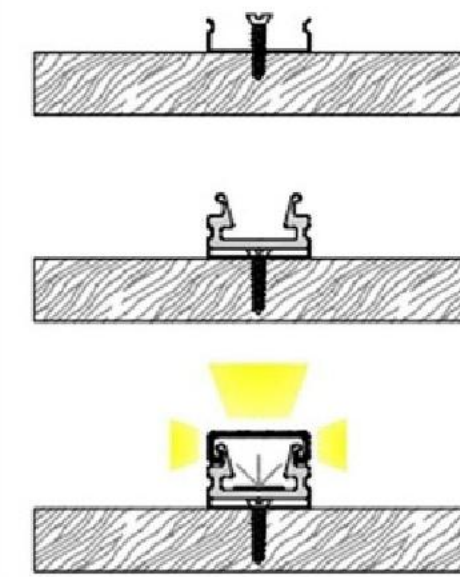
# Luminous on three sides 8-10mm



TCLF0808  
Unit: mm →  
Weight: 0.048kg/m



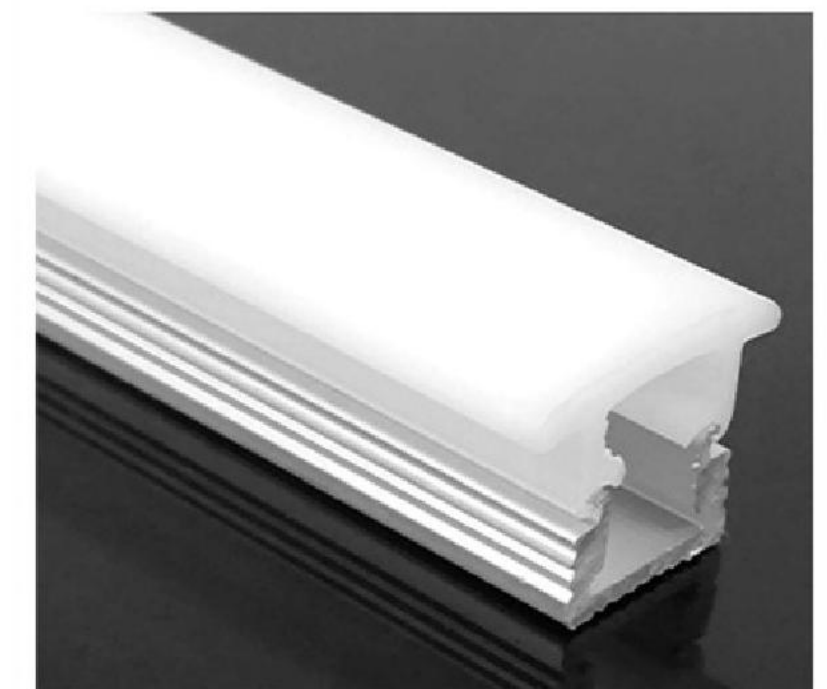
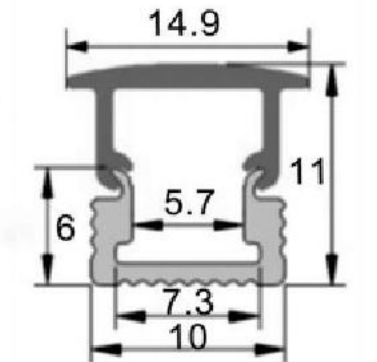
### Installation step



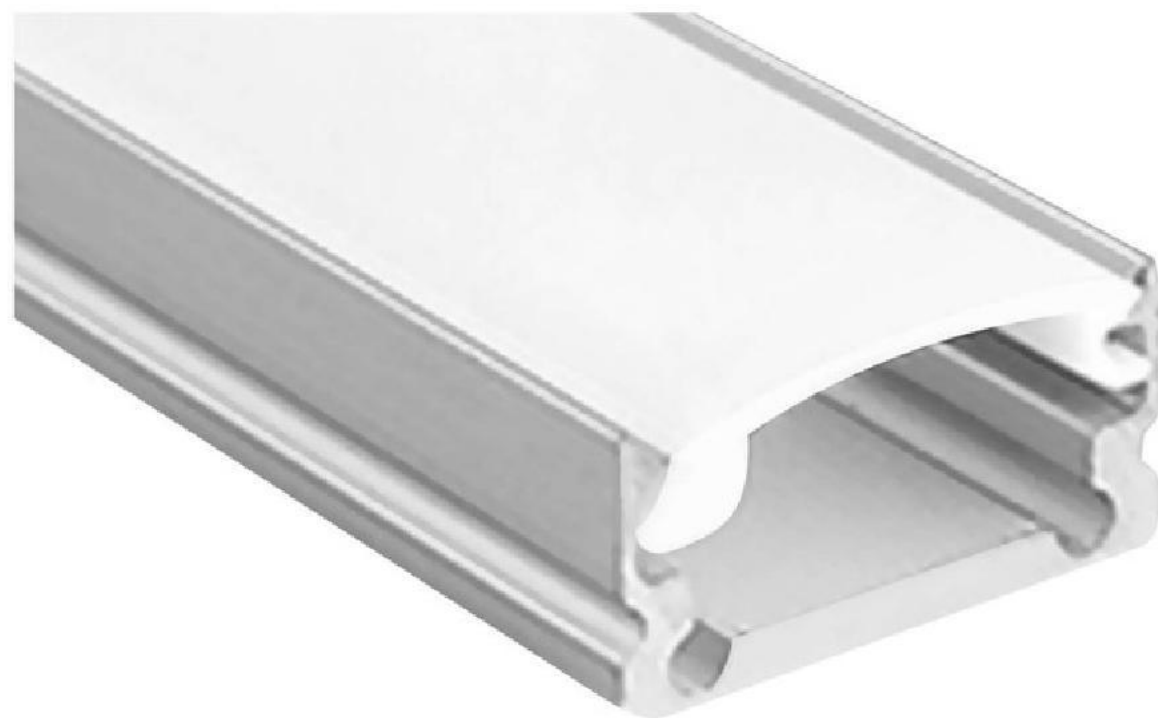
### Accessories



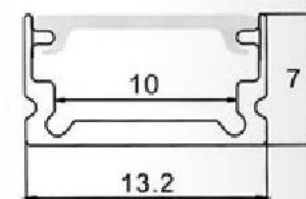
TCLF1011  
Unit: mm →  
Weight: 0.062kg/m



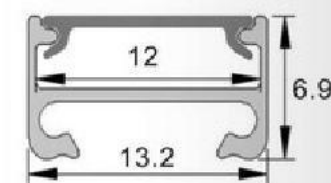
# Width of 10.3-13.9mm



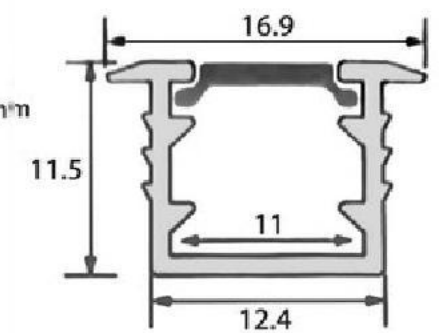
**TCLF1307**  
Unit: m →  
Weight: 0.07kg/m



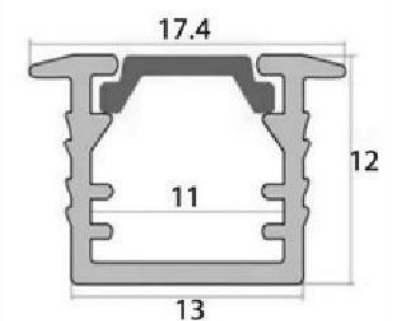
**TCLF13071**  
Unit: m →  
Weight: 0.05kg/m

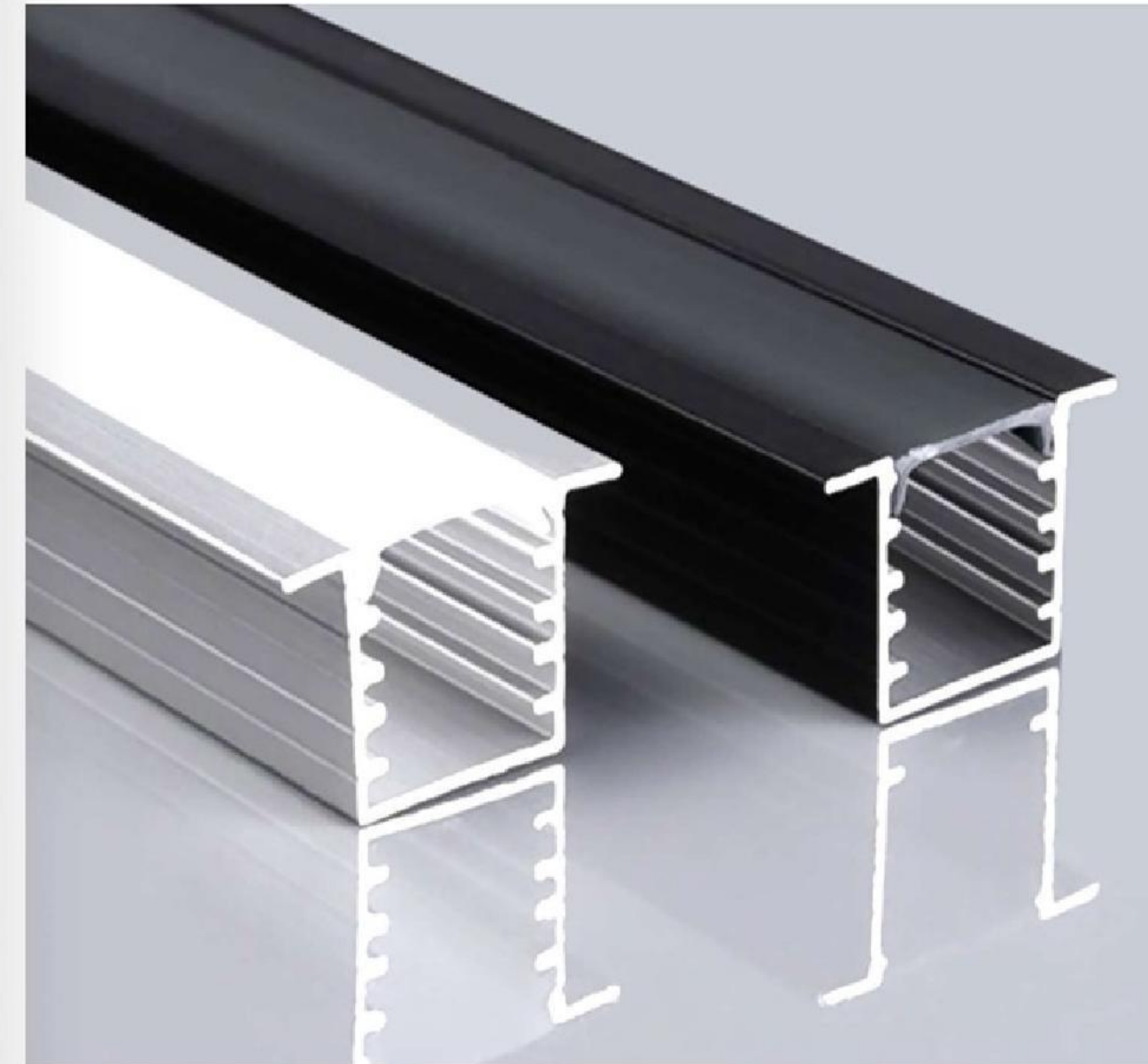
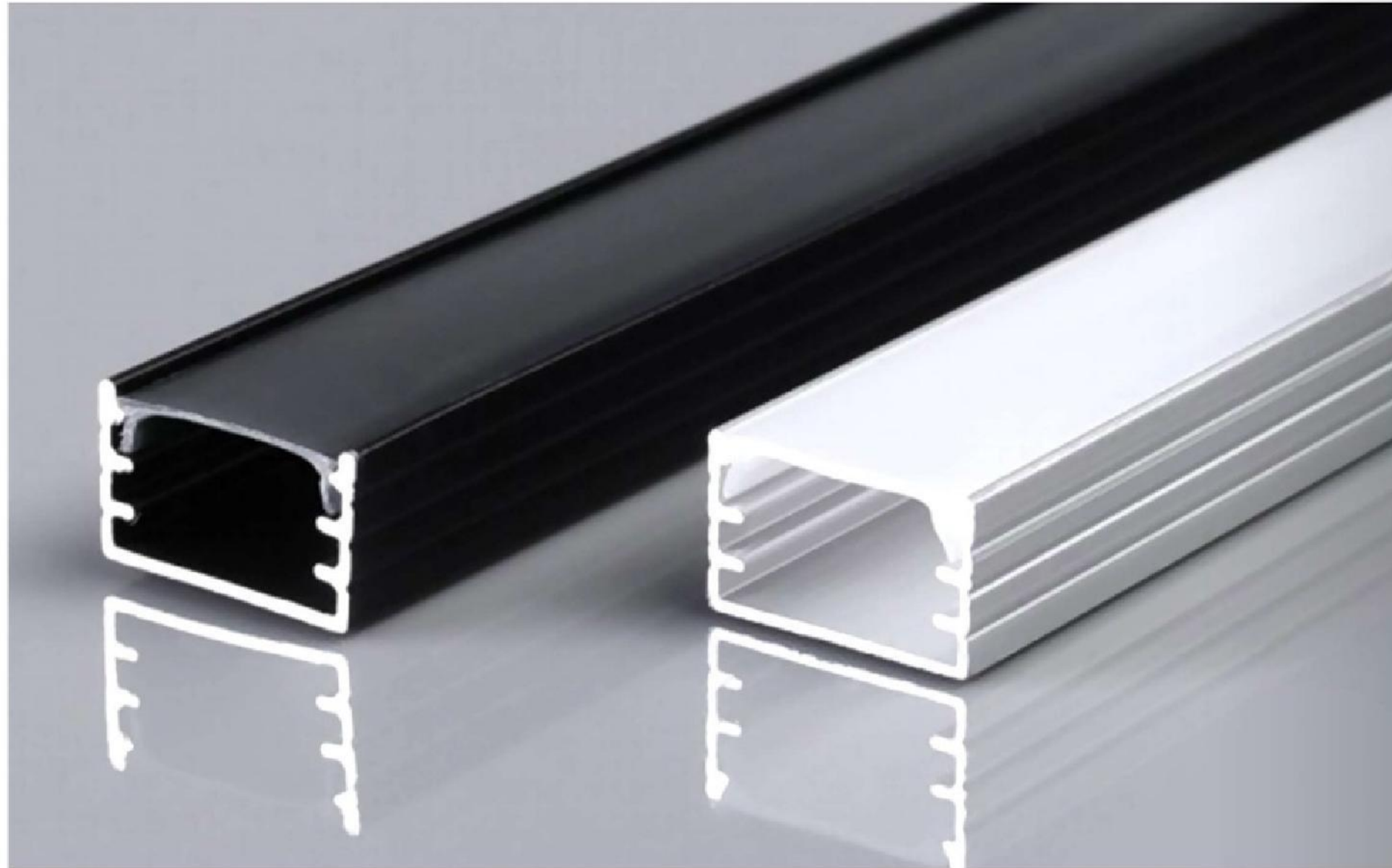


**TCLF1 2 2E**  
Unit: mm →  
Thickness: 0.7mm

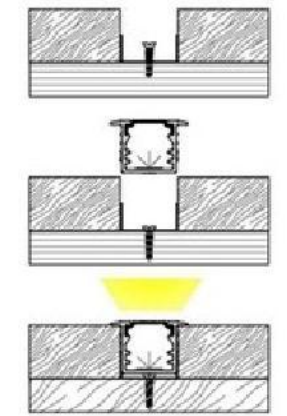


**TCL.F1312E**  
Unit: mm →  
Weight: 0.125kg/m  
Thickness: 1mm





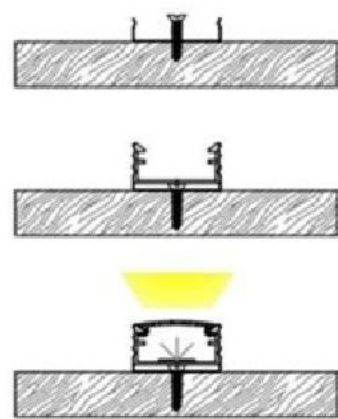
Installation step



Accessories



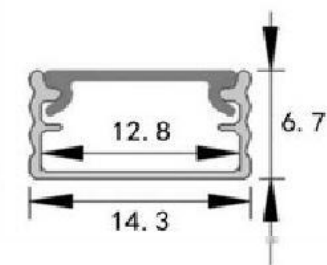
Installation step



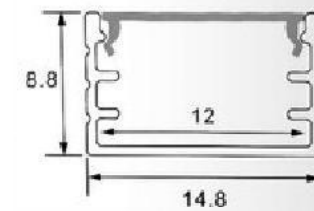
Accessories



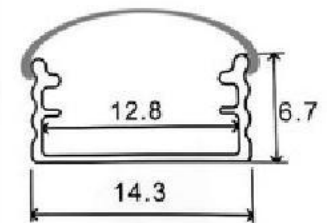
**TCLF1407**  
Unit: mm →  
Weight: 0.057kg/m  
Thickness: 0.75mm



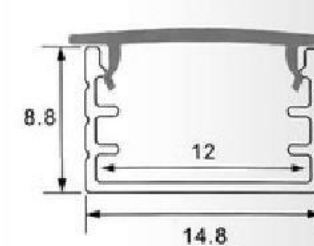
**TCLF1509**  
Unit: mm →  
Weight: 0.062kg/m  
Thickness: 1.4mm



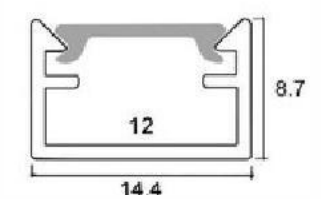
**TCLF14071**  
Unit: mm →  
Thickness: 0.75mm



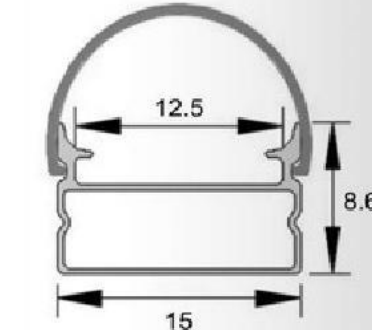
**TCLF15091**  
Unit: mm →  
Weight: 0.062kg/m  
Thickness: 1.4mm



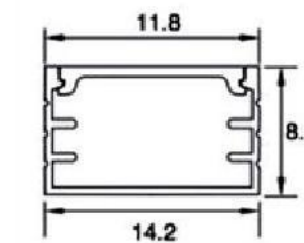
**TCLF1409**  
Unit: mm →  
Thickness: 1.2mm



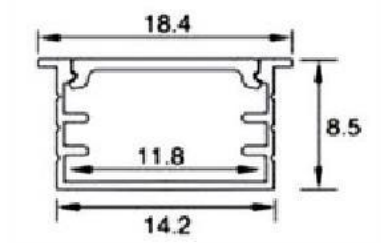
**TCLF15093**  
Unit: mm →  
Weight: 0.058kg/m



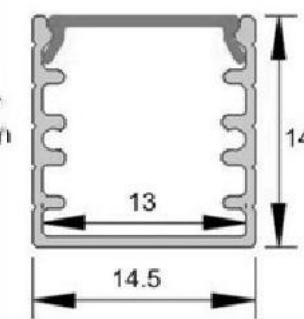
**TCLF14091**  
Unit: mm →



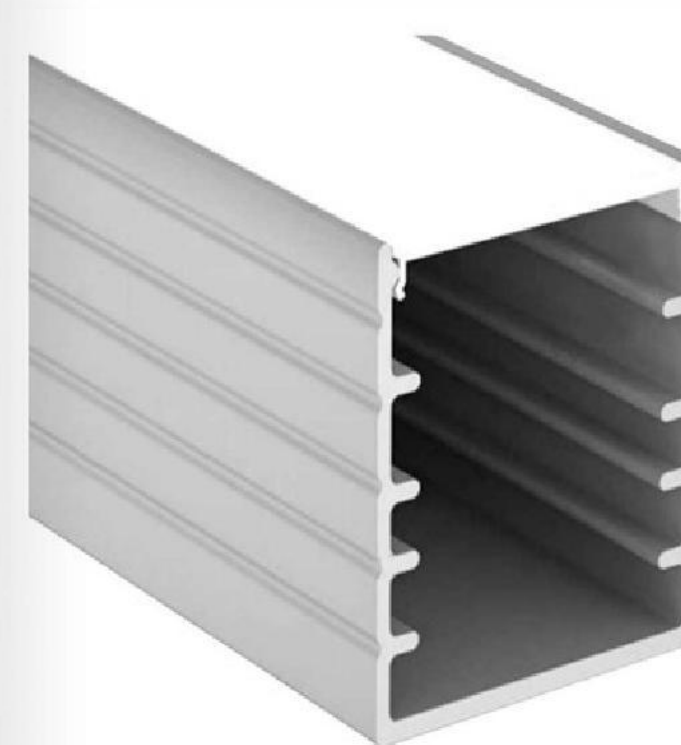
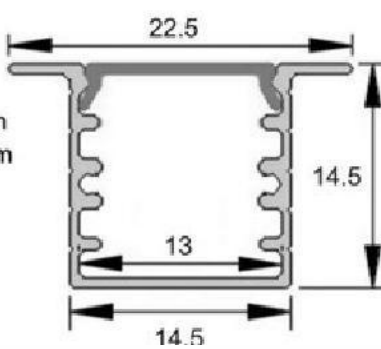
**TCLF1409E1**  
Unit: mm →

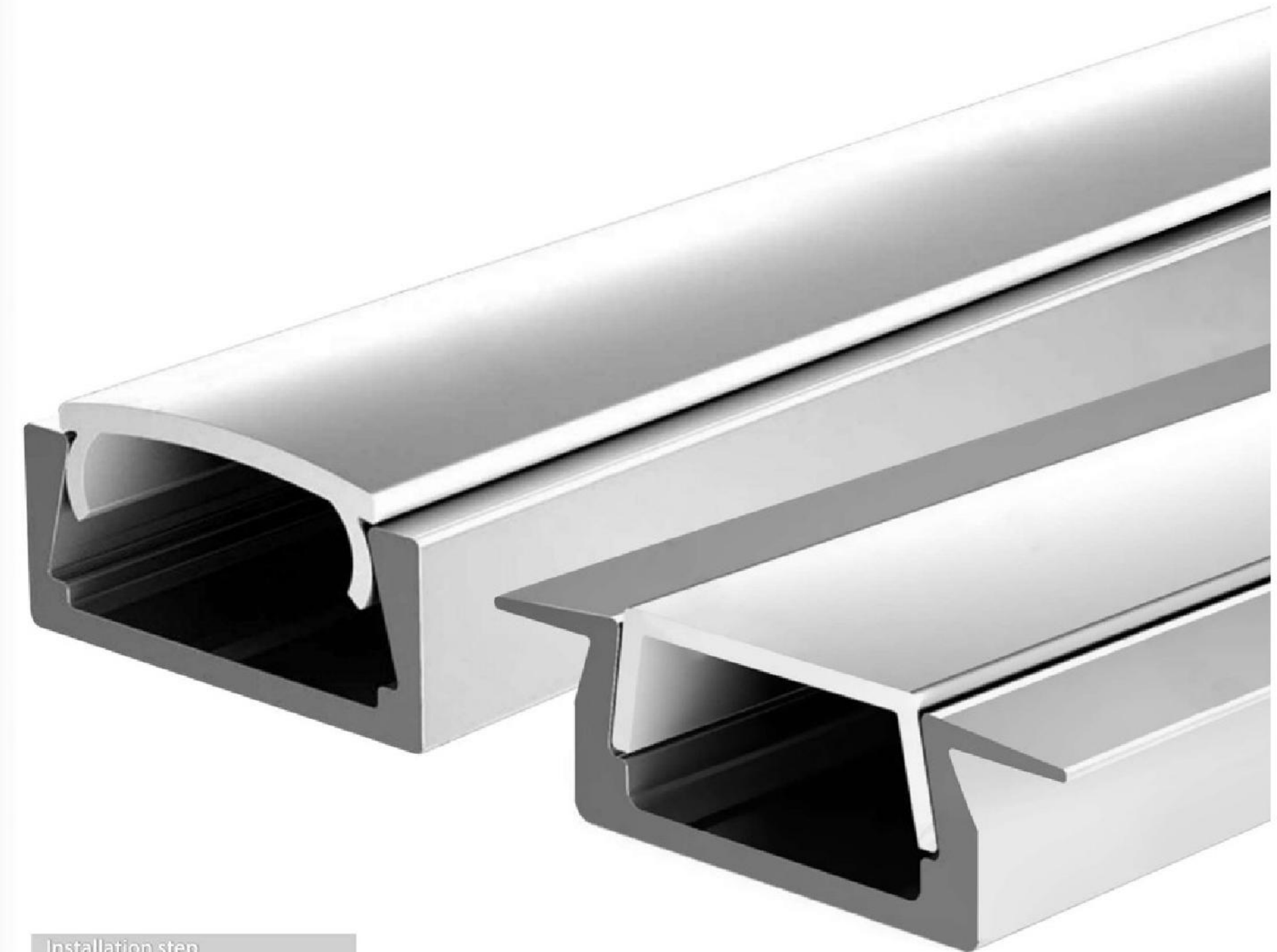


**TCLF1515**  
Unit: mm →  
Weight: 0.104kg/m  
Thickness: 0.75mm

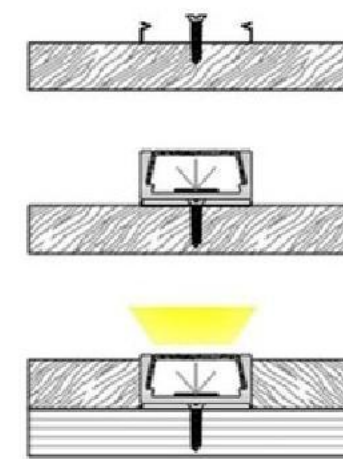


**TCLF1515E**  
Unit: mm →  
Weight: 0.116kg/m  
Thickness: 0.75mm





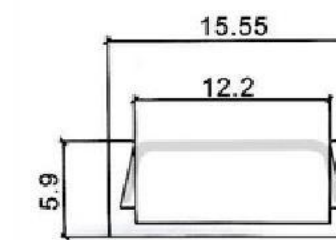
Installation step



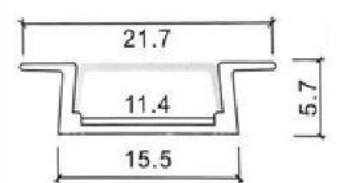
Accessories



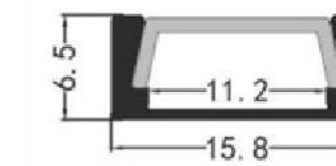
**TCLF1606**  
Unit: mm →



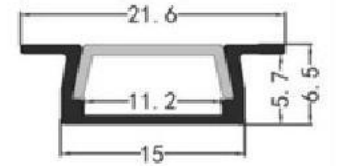
**TCLF1606E**  
Unit: mm →



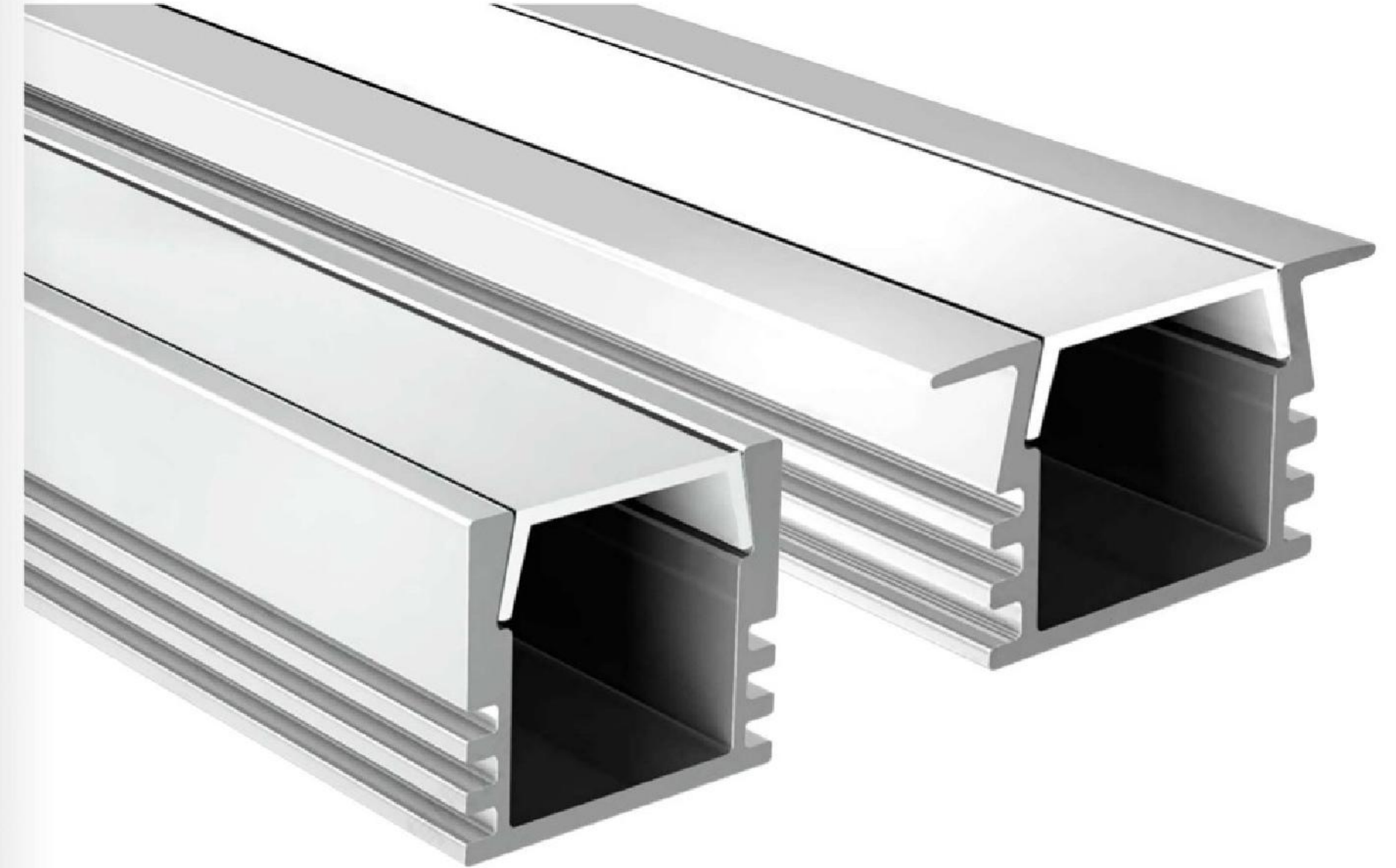
**TCLF1607**  
Unit: mm →



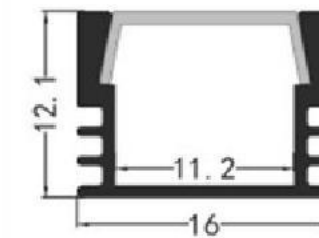
**TCL1607E**  
Unit: mm →



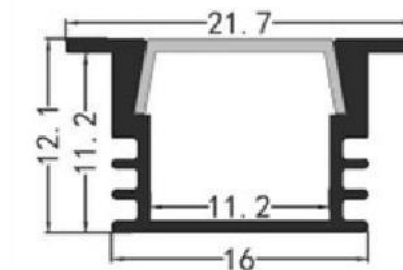
# Width of 15-19.9mm



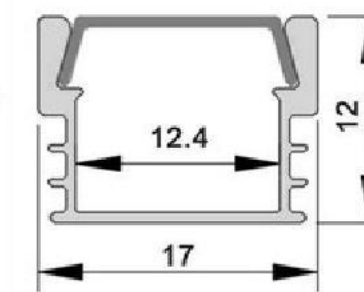
**TCLF1612**  
Unit: mm →



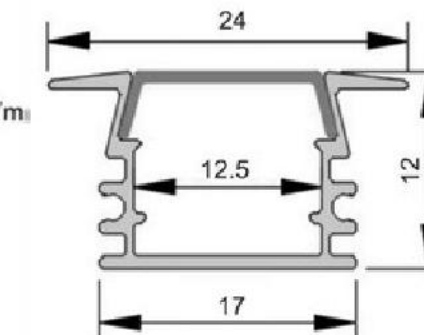
**TCLF1612E**  
Unit: mm →



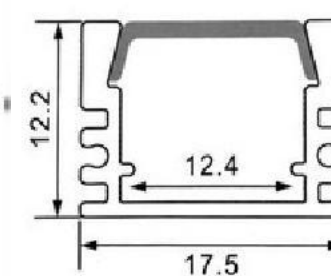
**TCLF1712**  
Unit: mm →  
Weight: 0.122kg/m



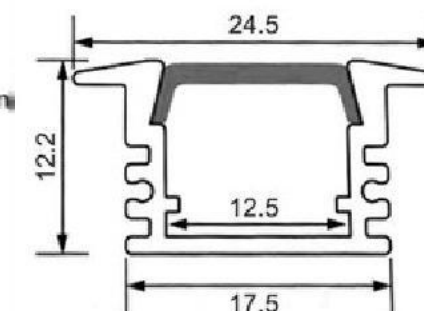
**TCLF1712E**  
Unit: mm →  
Weight: 0.128kg/m



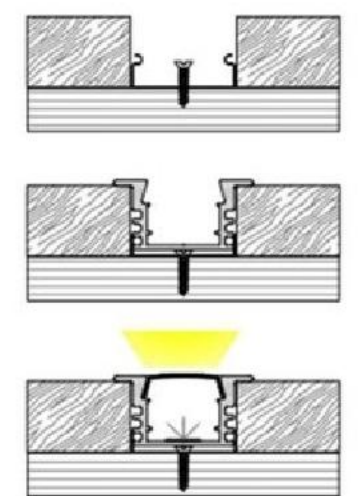
**TCLF1812**  
Unit: mm →  
Weight: 0.105kg/m



**TCLF1812E**  
Unit: mm →  
Weight: 0.14kg/m

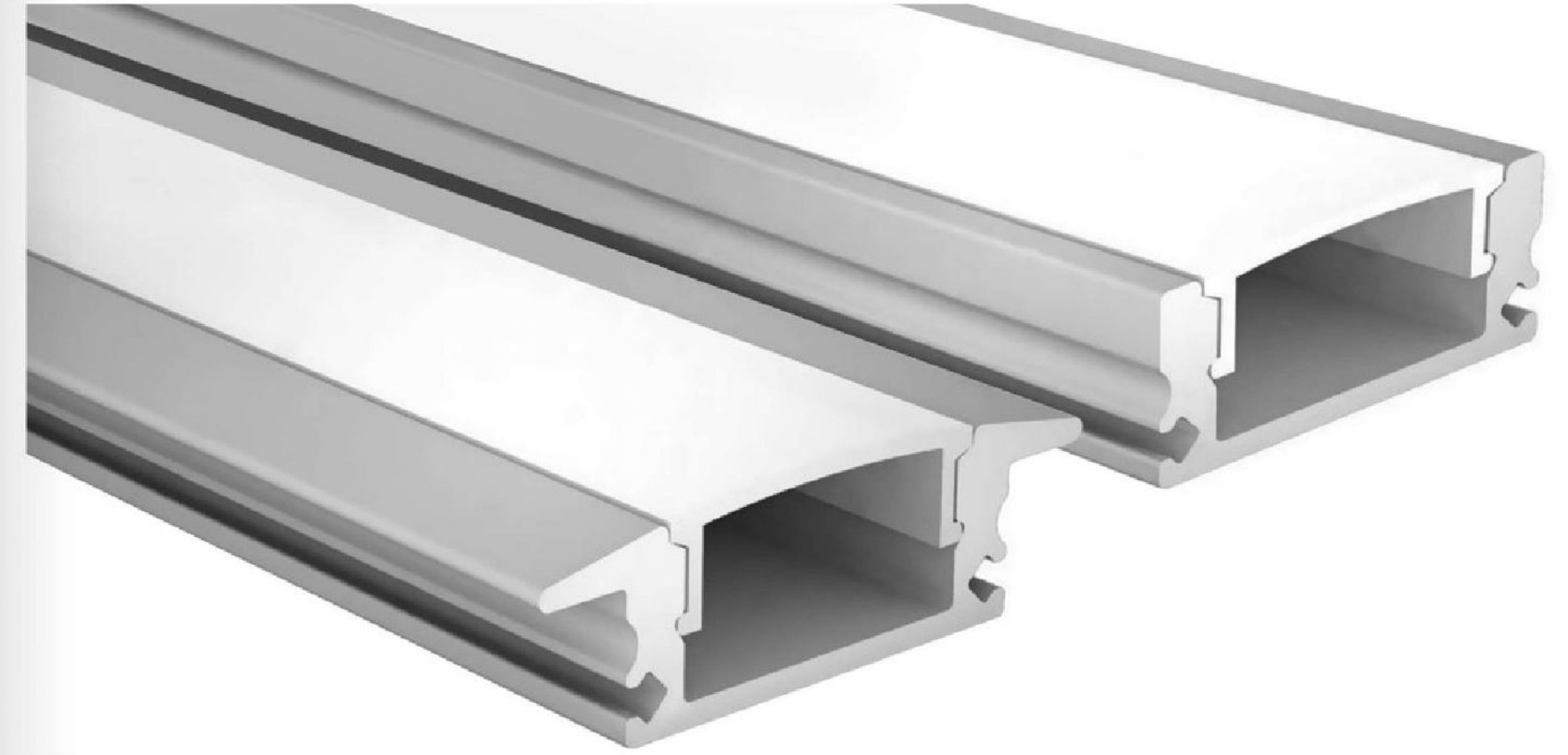


### Installation step

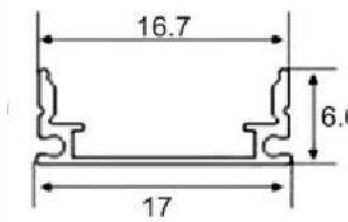


### Accessories

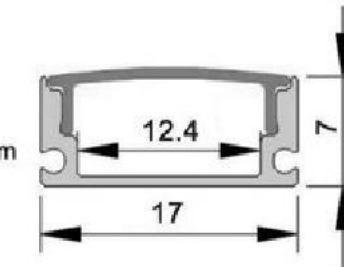




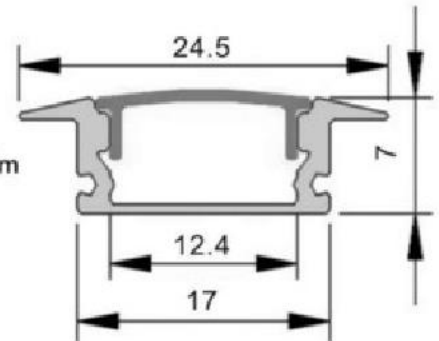
**TCLF1707**  
Unit:mm →  
Weight:0.059kg/m



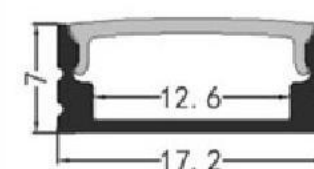
**TCLF17071**  
Unit: mm →  
Weight: 0.093kg/m



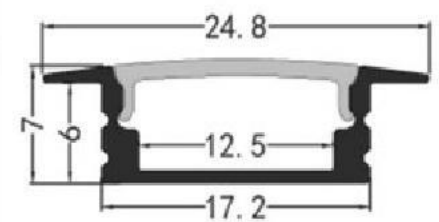
**TCLF1707E1**  
Unit: mm →  
Weight: 0.103kg/m



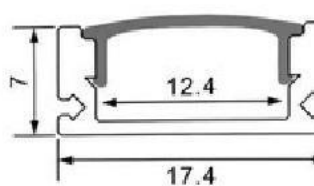
**TCLF17072**  
Unit:mm →



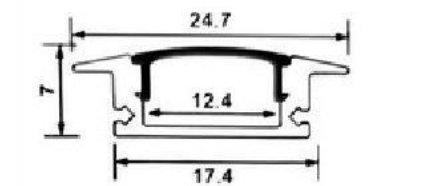
**TCLF1707E2**  
Unit: mm →



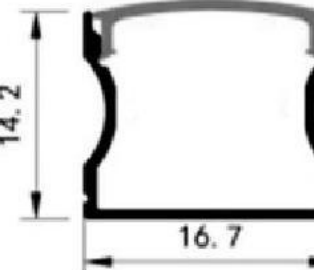
**TCLF17073**  
Unit:mm- →



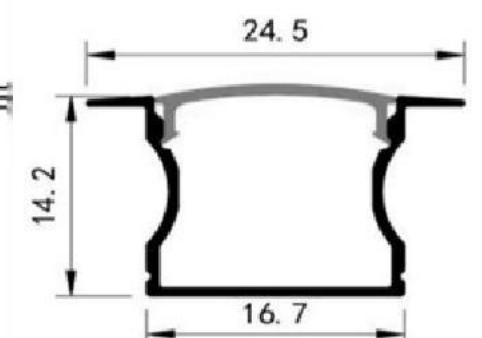
**TCLF1707E3**  
Unit: mm →

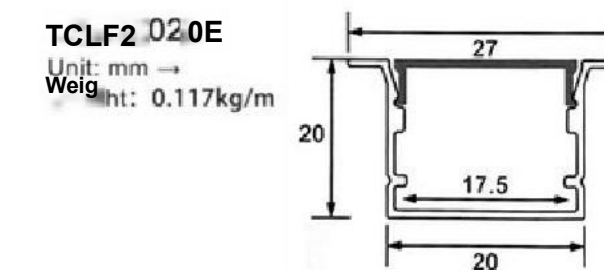
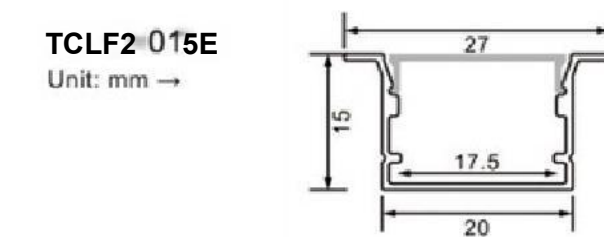
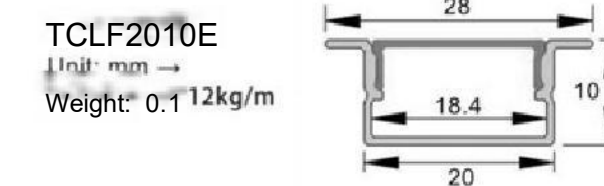
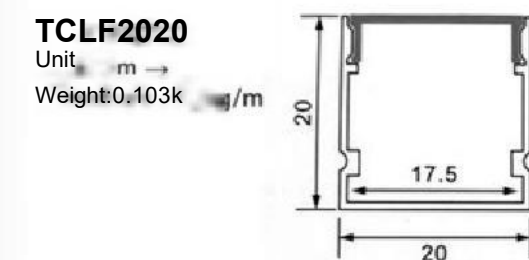
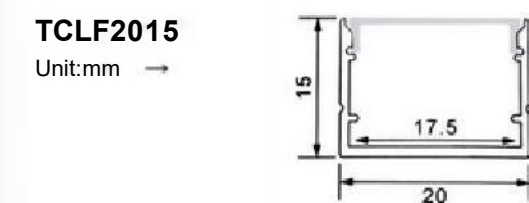
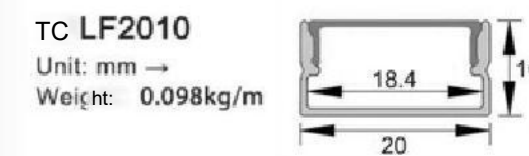
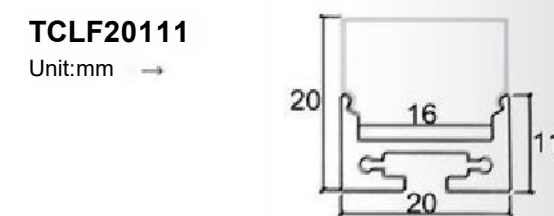
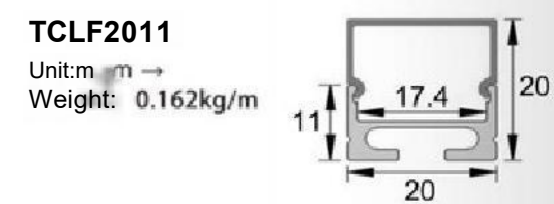
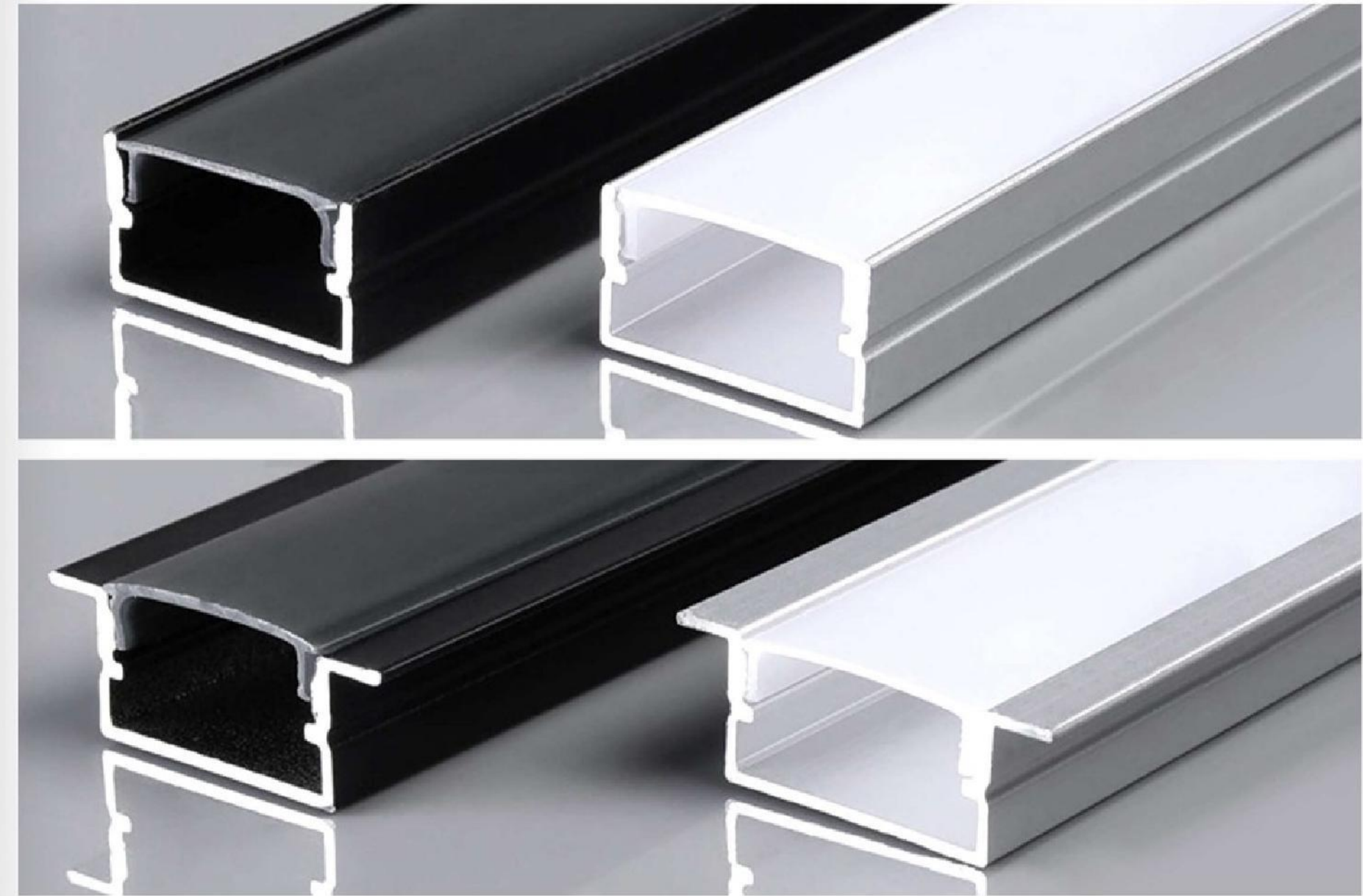


**TCLF1714**  
Unit:mm →

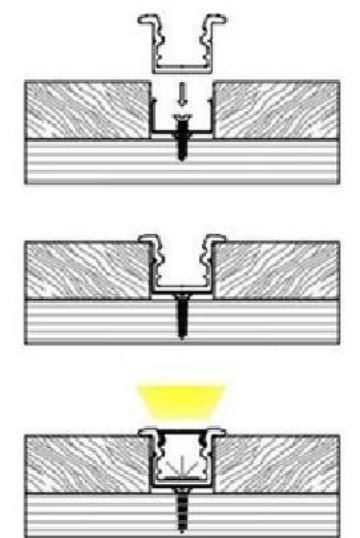


**TCLF1714E**  
Unit: mm →





Installation step



Accessories





**TCLF2310**  
Unit: mm →  
Weight: 0.118kg/m

**TCLF2 2310E**  
Unit: mm →  
Weight: 0.12kg/m

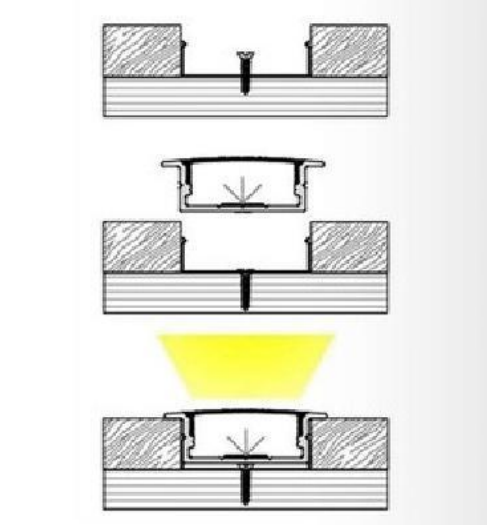
**TCLF2320**  
Unit: mm →  
Weight: 0.136kg/m

**TCLF2320E**  
Unit: mm →  
Weight: 0.153kg/m

**TCLF2515**  
Unit: mm →  
Weight: 0.13kg/m

**TCLF2515E**  
Unit: mm →  
Weight: 0.152kg/m

Installation step



Accessories



**TCLF2327**  
Unit: mm →  
Weight: 0.335kg/m



**TCLF2327E**  
Unit: mm →  
Weight: 0.288kg/m



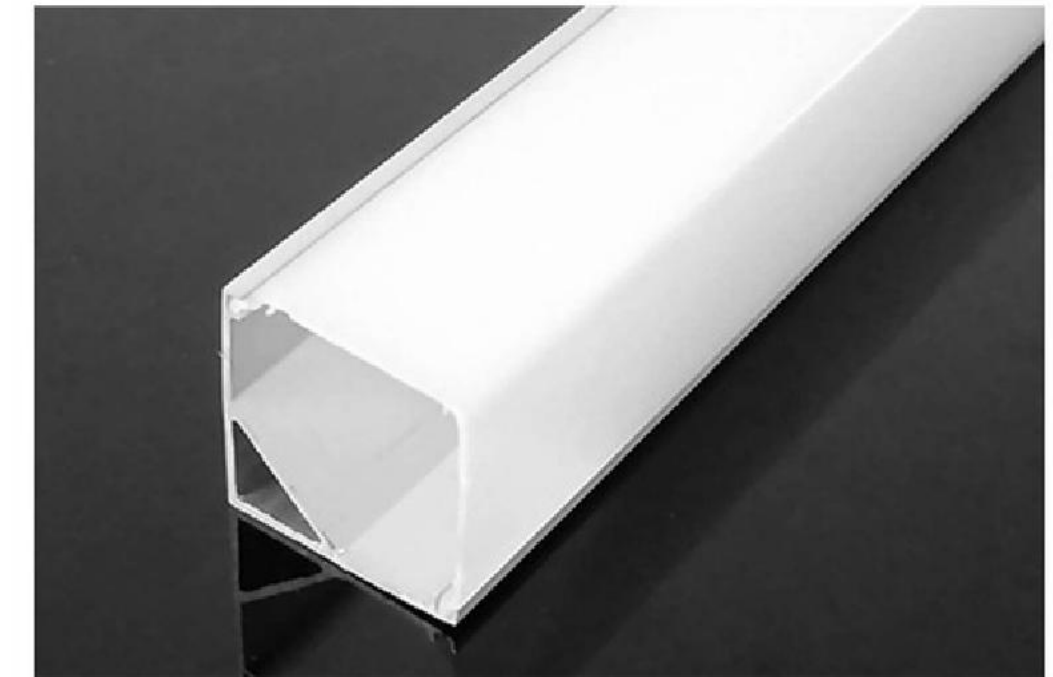
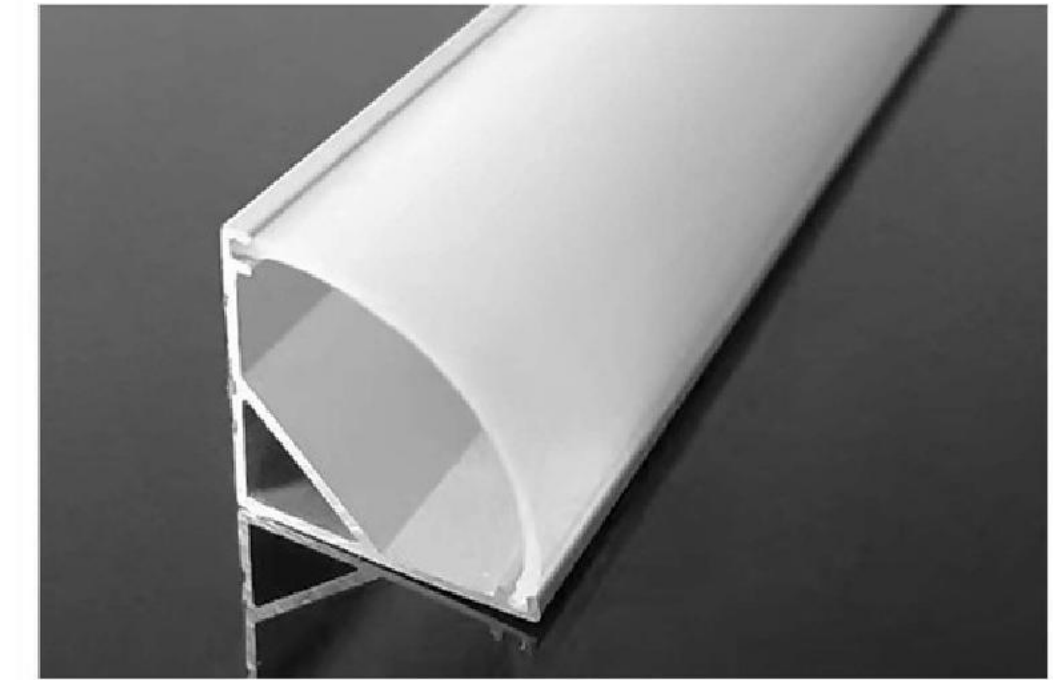
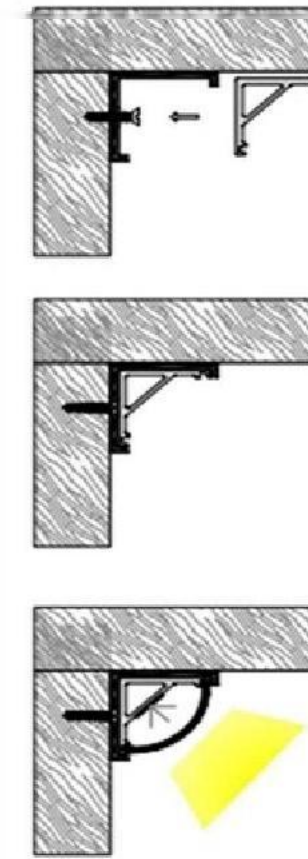
# Width of 27mm



# Layer board light 1



## Installation step



## Accessories

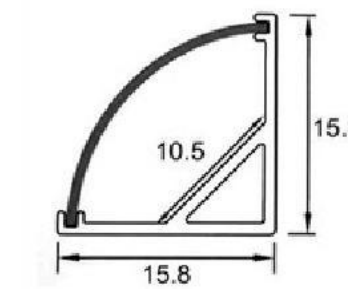


End cap

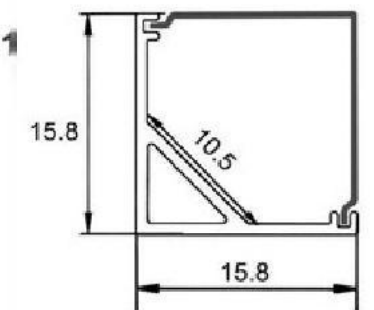
Clip



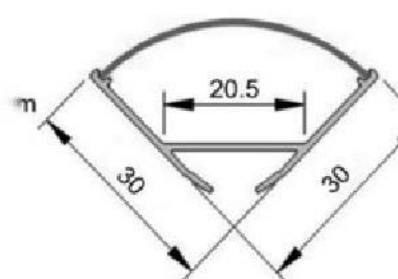
**TCLF1616**  
Unit:mm →



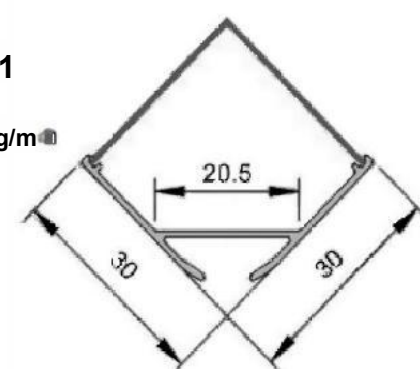
**TCLF1 6161**  
Unit: mm →



**TCLF3030**  
Unit: mm →  
Weight:0.17kg/l m

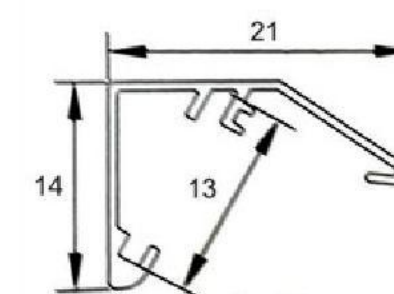


**TCLF30301**  
Unit:mm →  
Weight:0.17kg/m

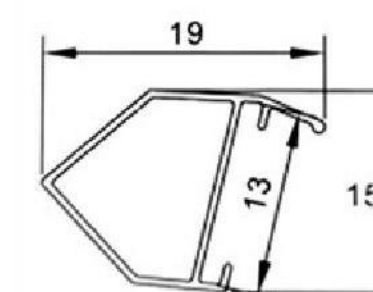


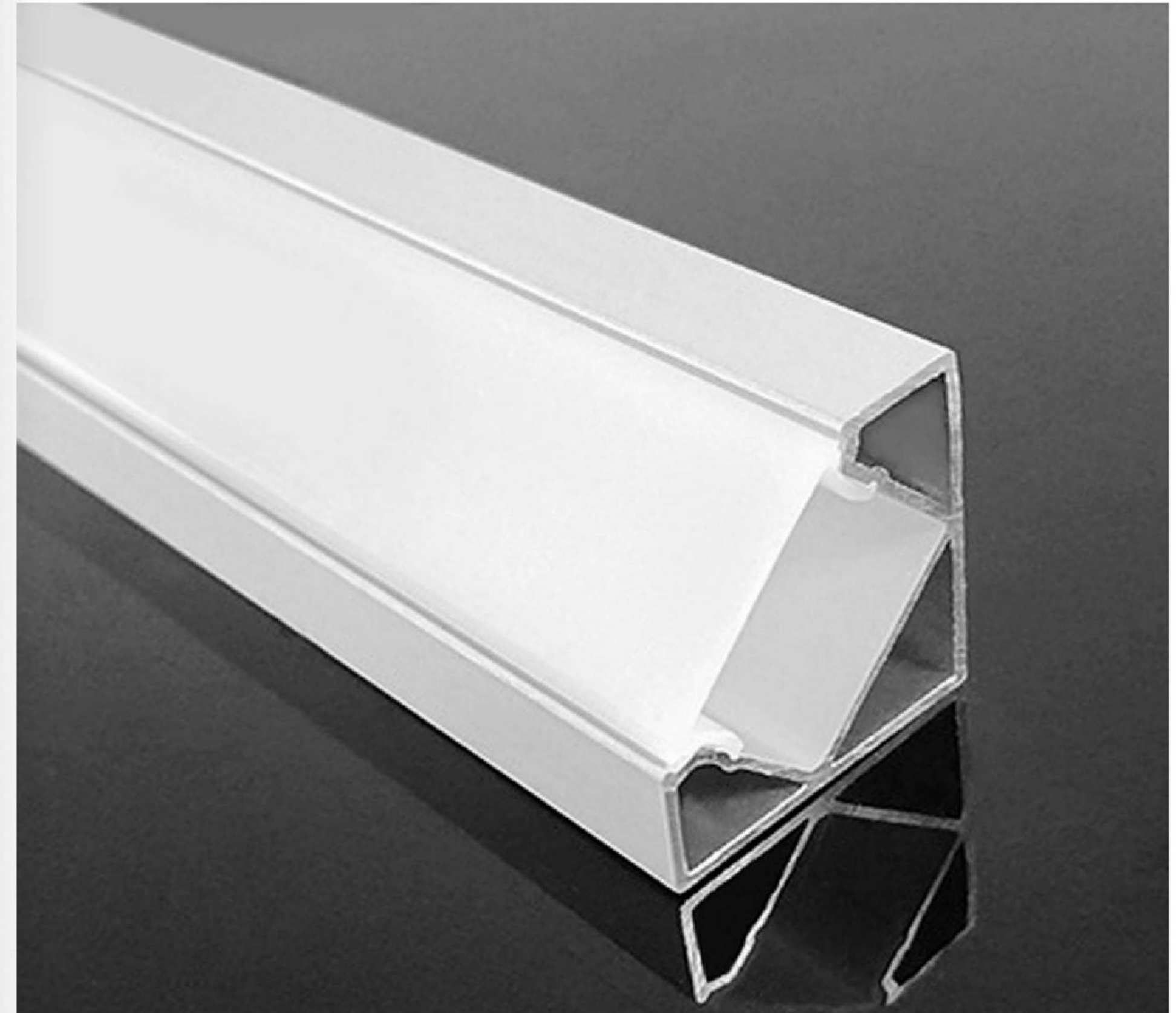


TCLF2114  
Unit: mm →

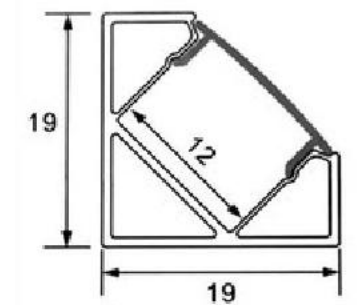


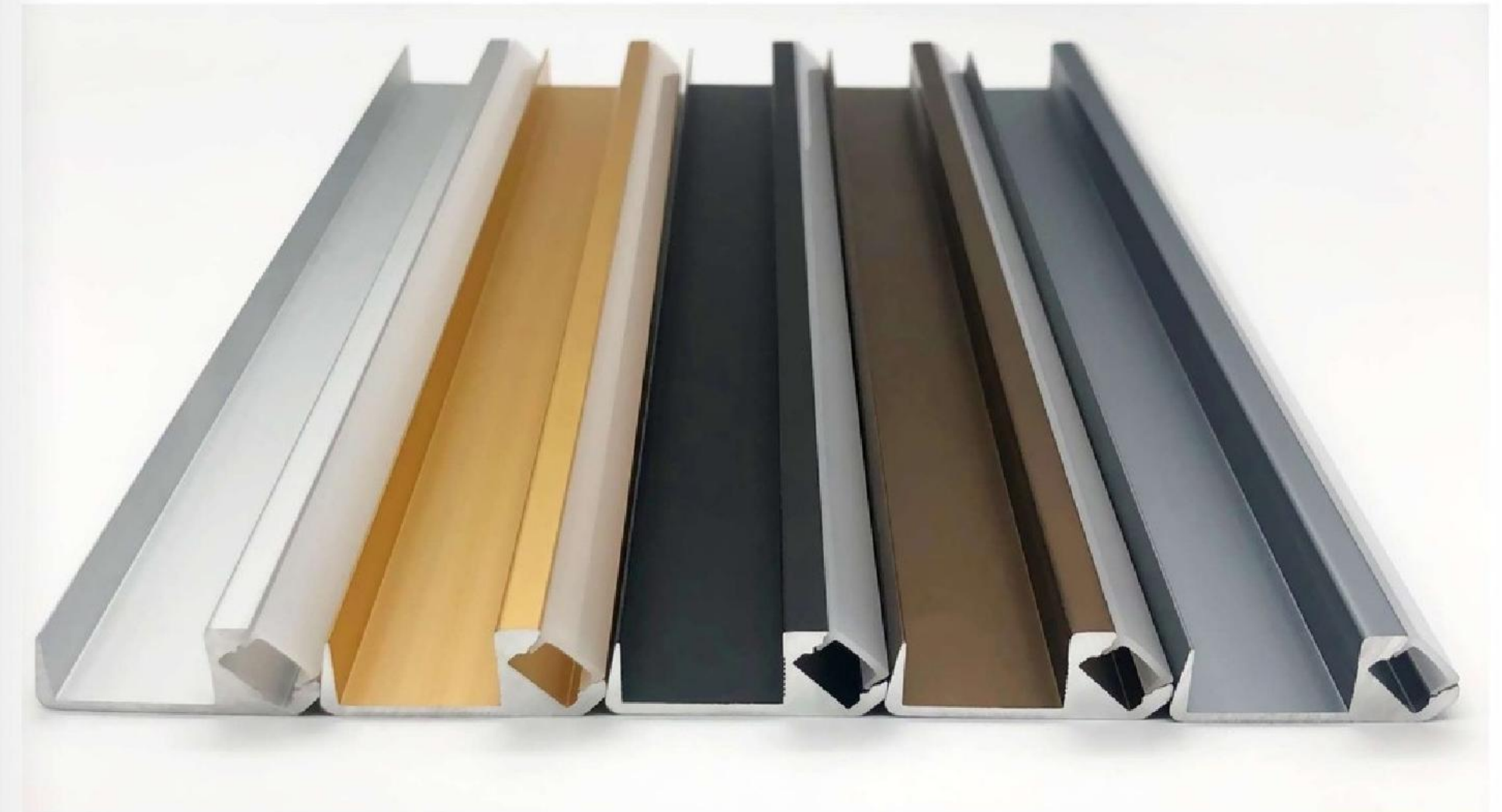
TCLF1915  
Unit: mm →



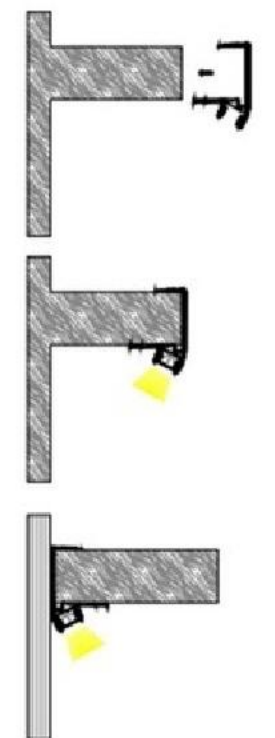


TCL\_F1919  
Unit: mm →  
Weight: 0.134kg/m

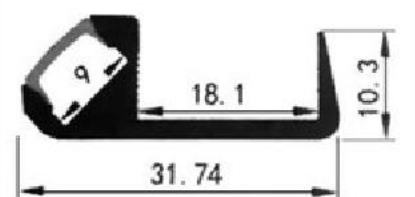




Installation step

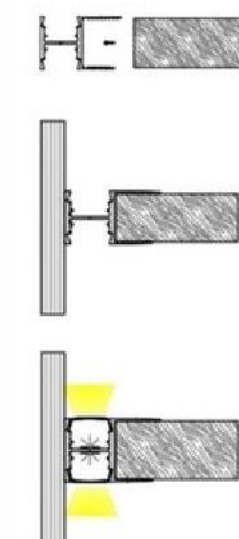


TCL F3 I210<sup>1</sup>  
Unit: mm →  
Weight: 0.285kg/m

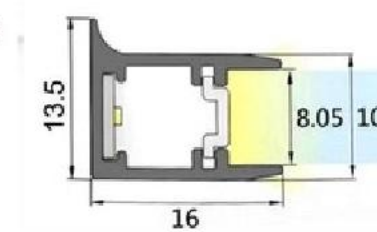




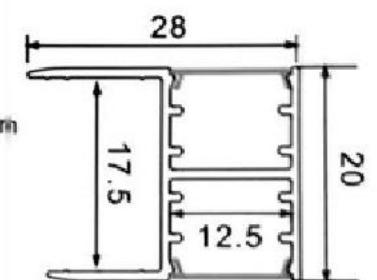
Installation step



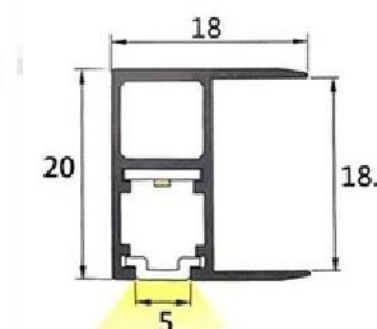
**TCLF1408**  
Unit: mm →



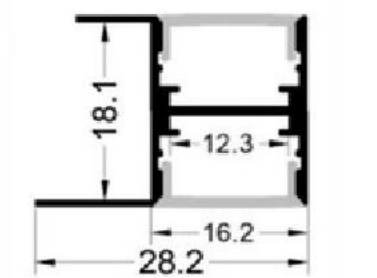
**TCLF2818**  
Unit: mm →  
Weight: 0.204kg/m



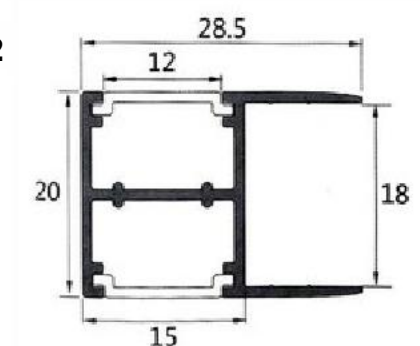
**TCLF2018**  
Unit: mm →



**TCLF28181**  
Unit: mm →

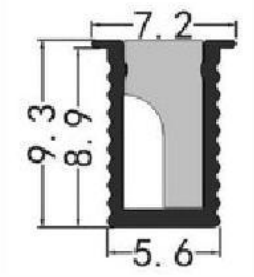


**TCLF29182**  
Unit: mm →

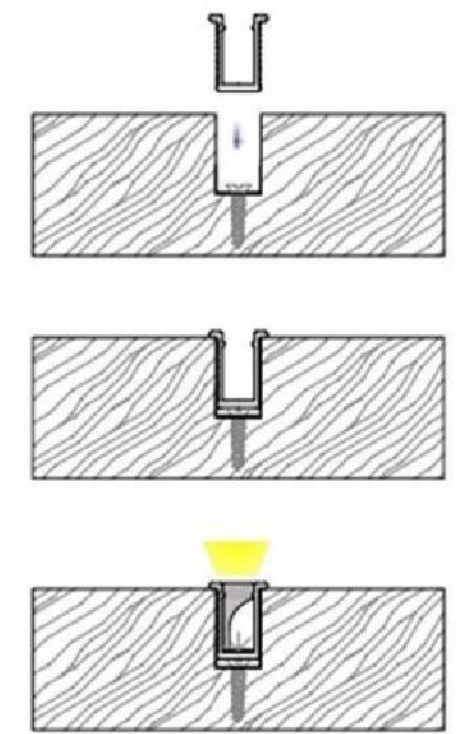




TCLF0609E  
Unit:mm ←



Installation step



Accessories

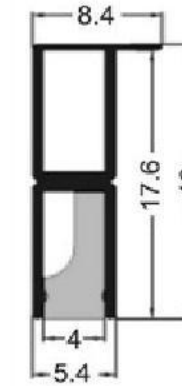


TCLF1111  
Unit:mm →

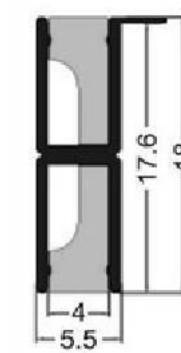




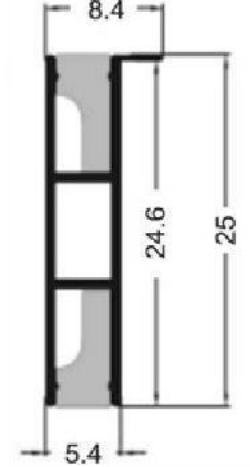
**TCLF1805**  
Unit: mm →

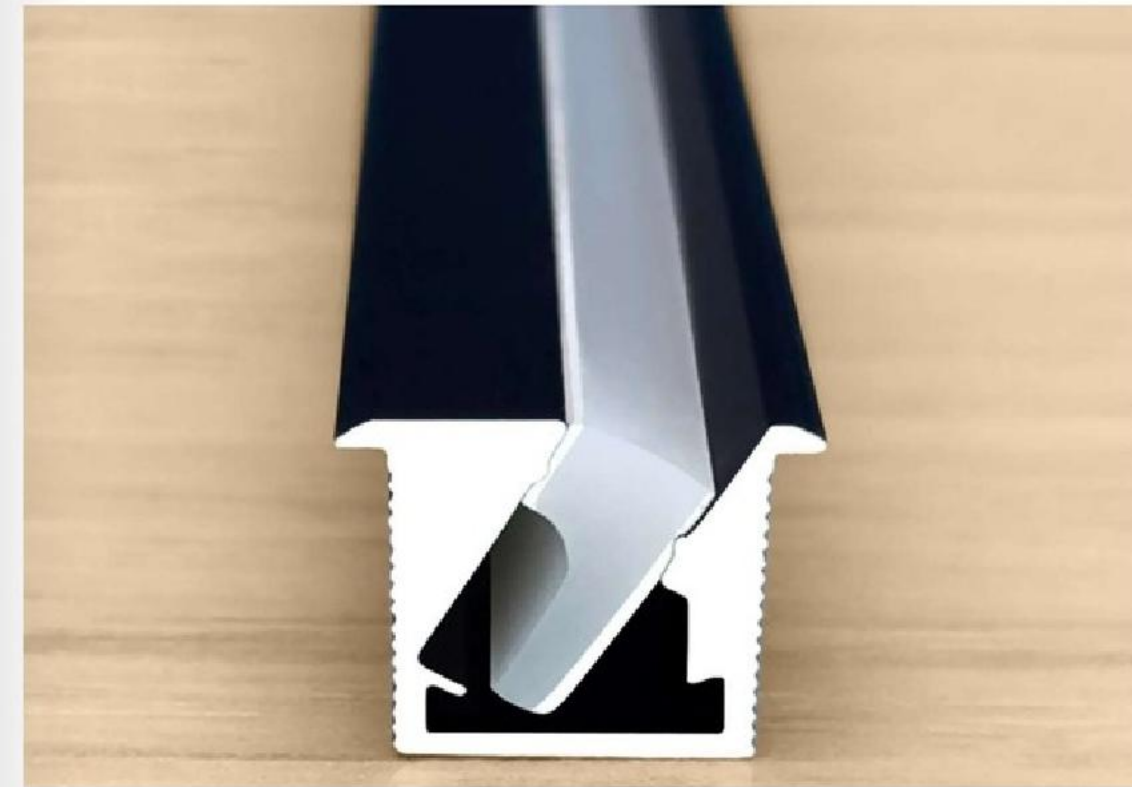


**TCLF18051**  
Unit: mm →

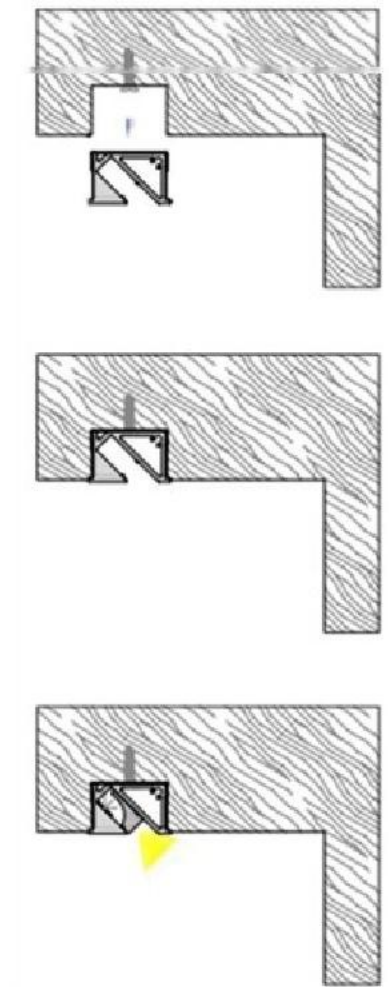


**TCLF2505**  
Unit: mm →

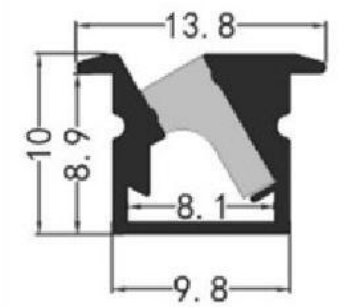




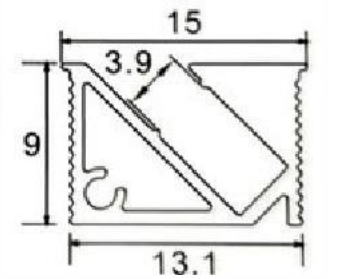
Installation step



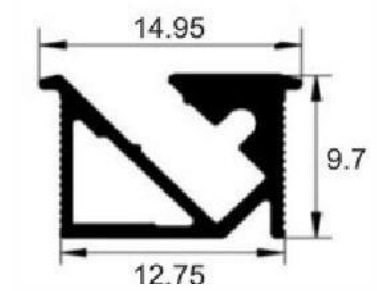
**TCLF10102**  
Unit:mm →

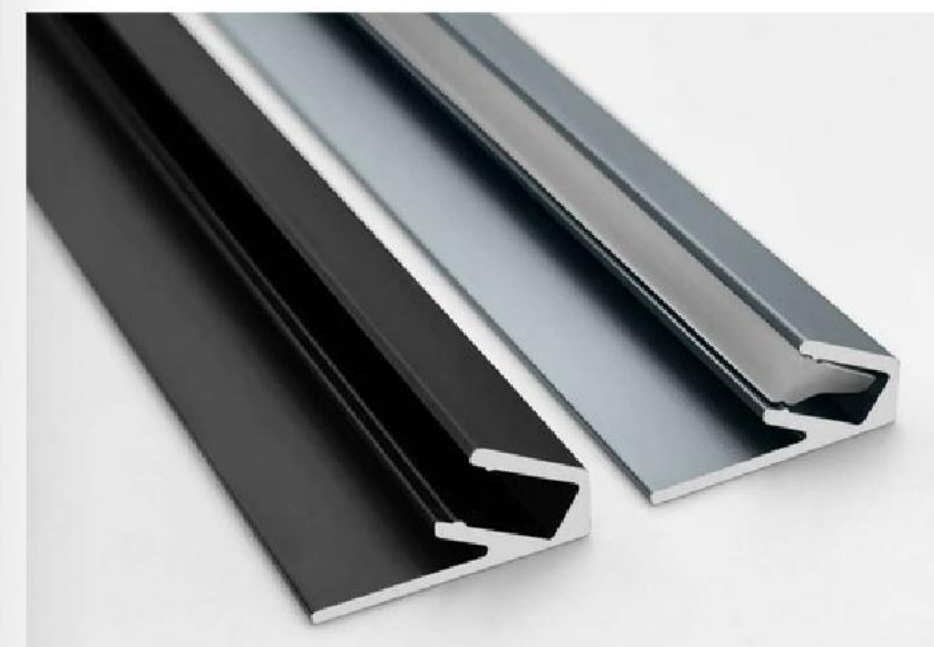


**TCLF1309**  
Unit: mm →  
Weight: 0.142kg/m

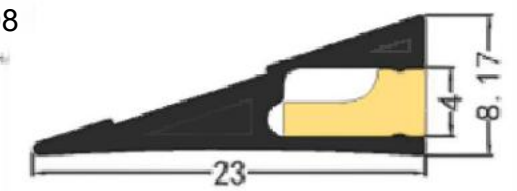


**TCLF1310**  
Unit:mm →

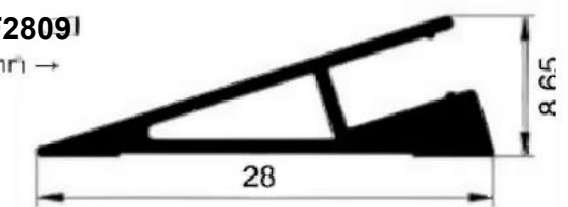




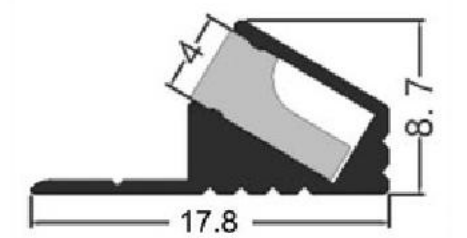
TCLF2308  
Unit:mm →



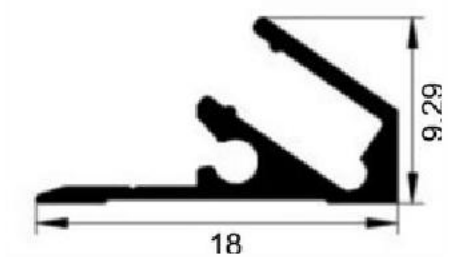
TCLF2809  
Unit: mm →



TCLF1809  
Unit: mm →



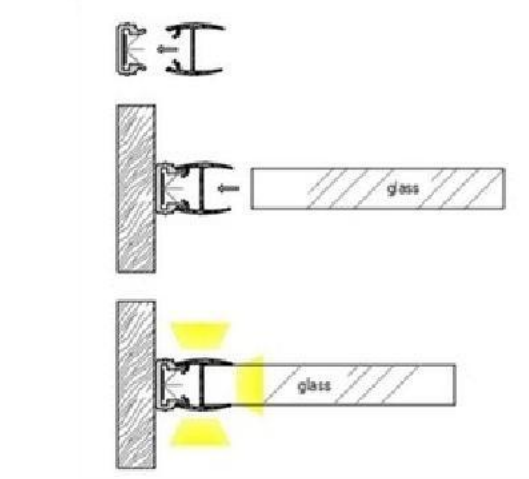
TCLF18091  
Unit: mm →



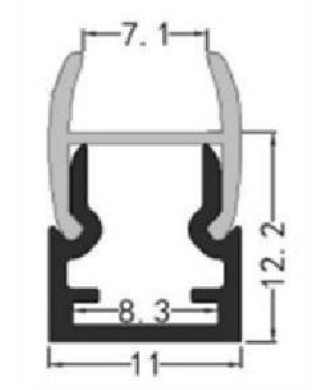
# Luminous on three sides



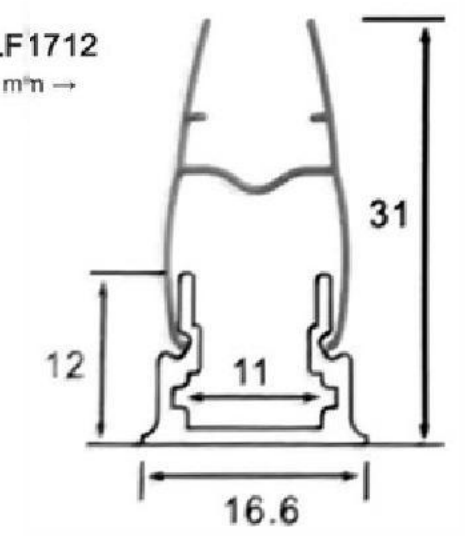
### Installation step



**TCLF1112**  
Unit: mm →



**TCL-F1712**  
Unit: mm →

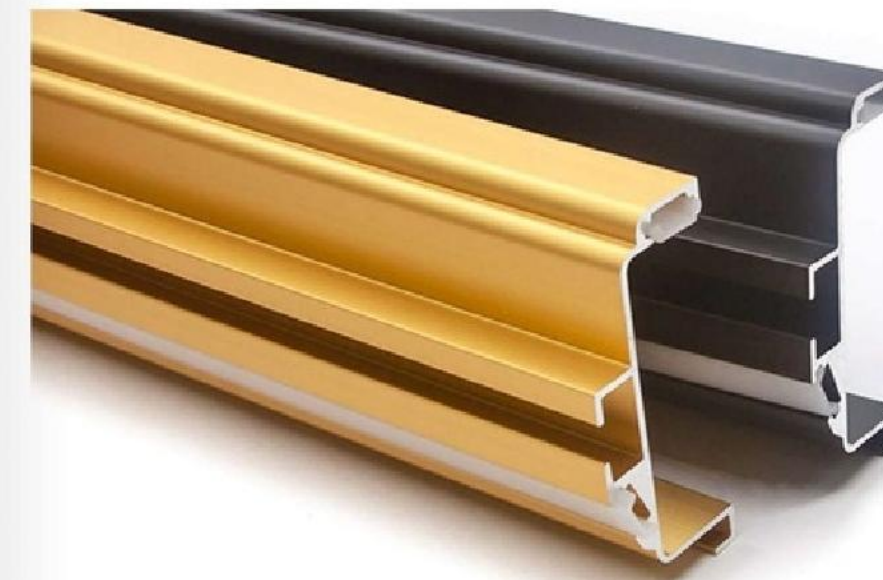
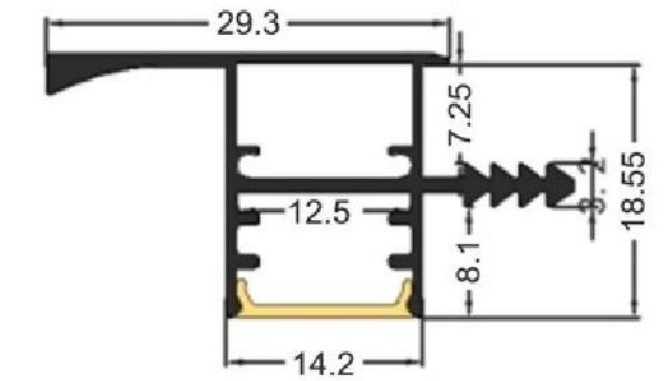


# Hide handle with lamp



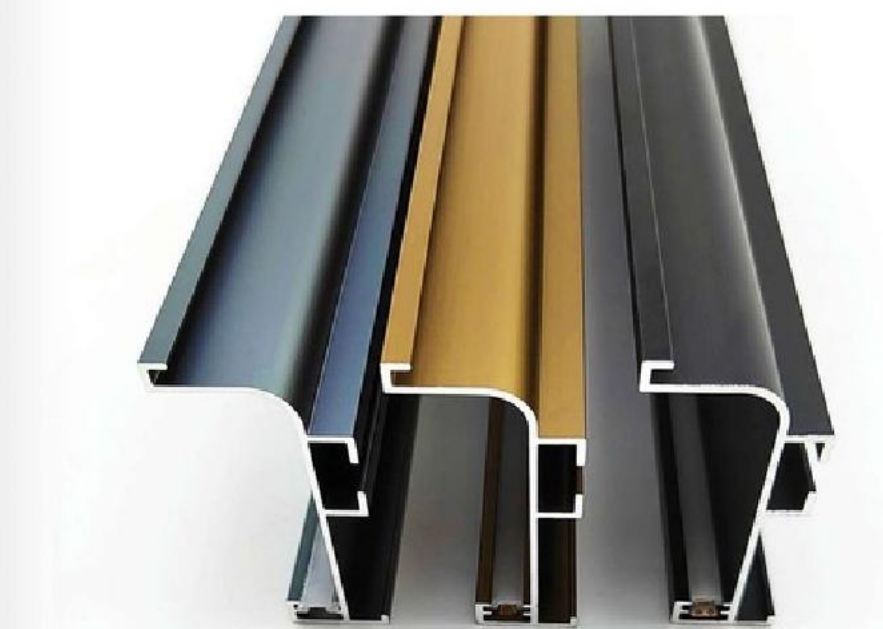
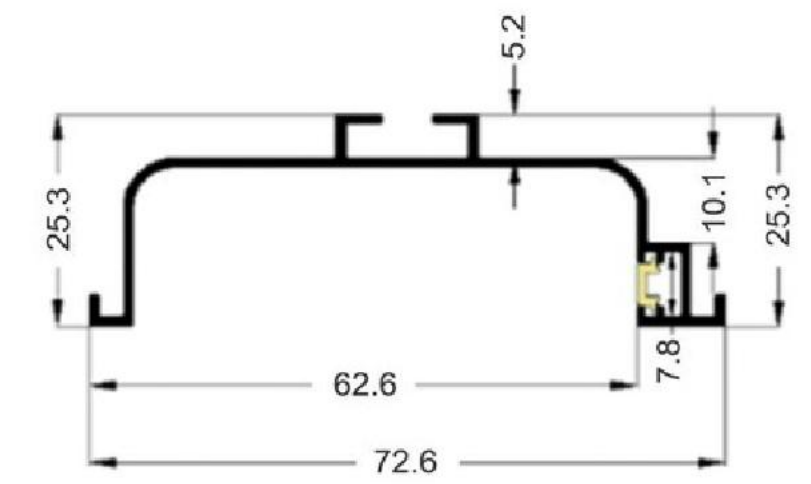
HHA11

Unit:mm →



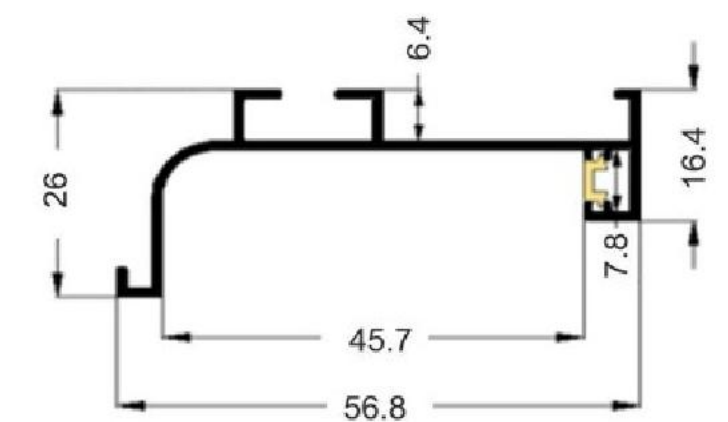
HHB11

Unit:mm →



HHC11

Unit:mm →

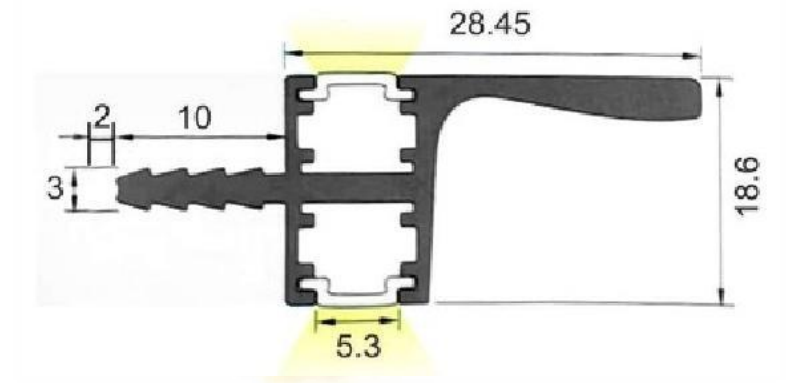


# Hide handle with lamp



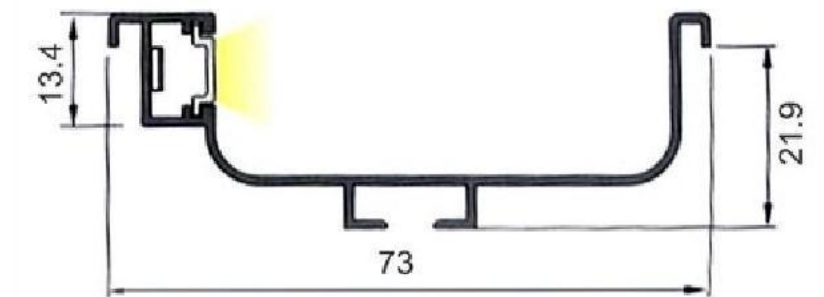
HHA12

Unit:mm →



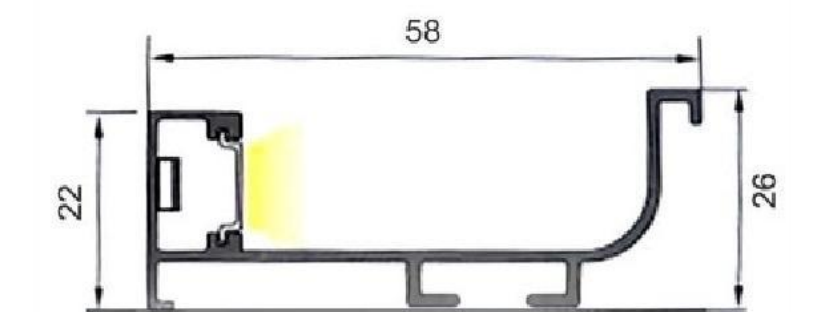
HHB12

Unit:mm→

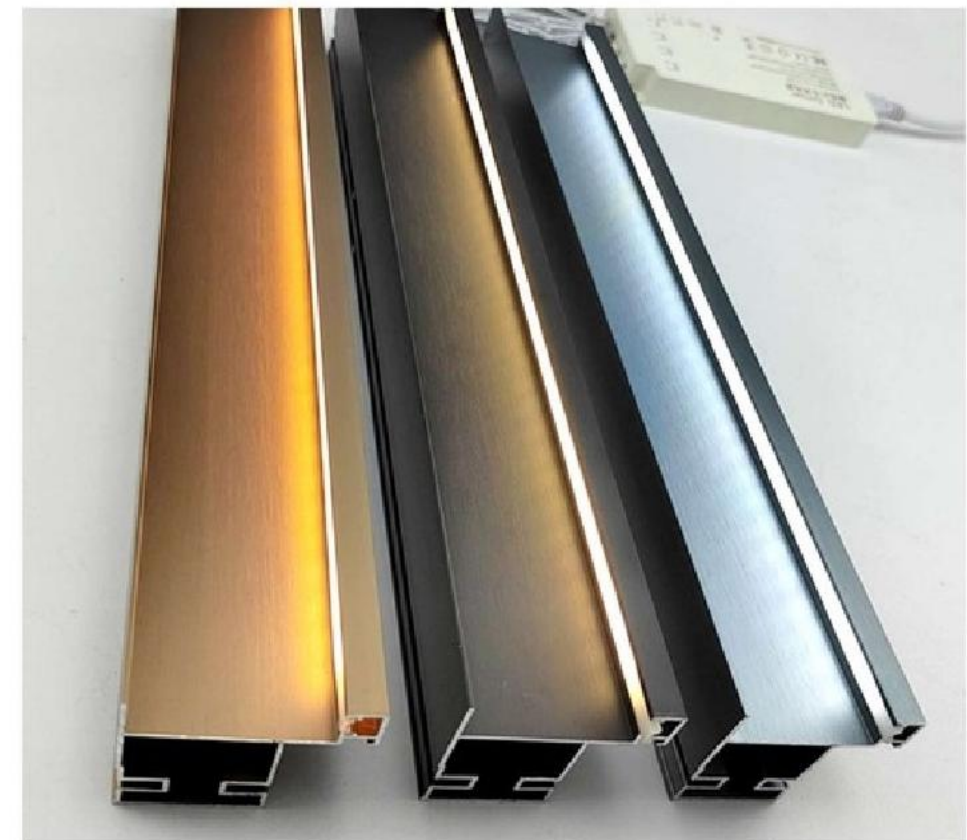
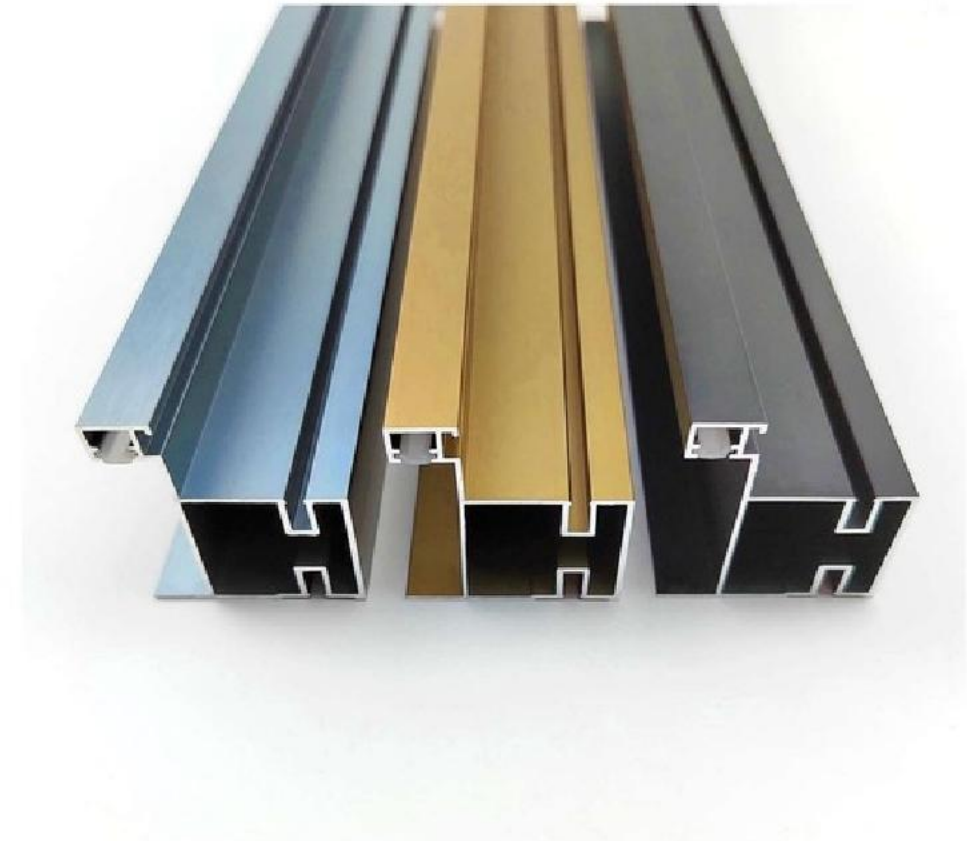


HHC12

Unit:mm →



# Hide handle with lamp

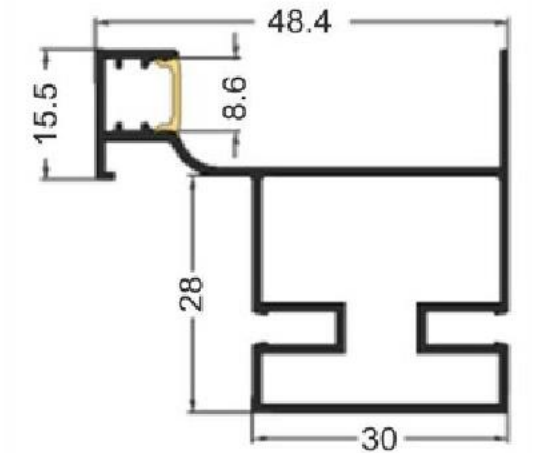
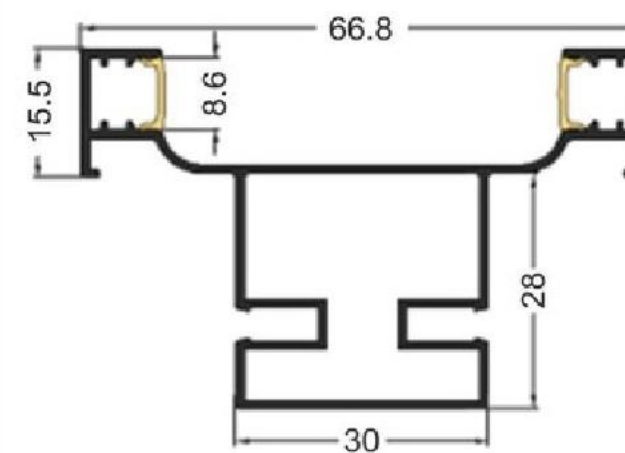


**HHB4**

Unit:mm

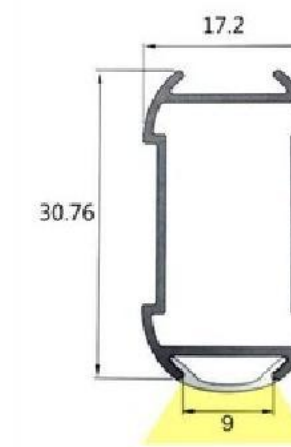
**HHC4**

Unit:mm

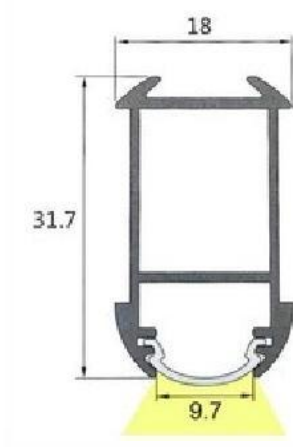




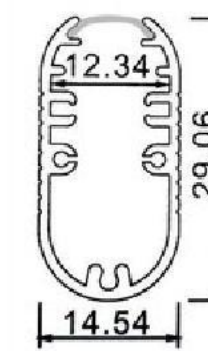
**TCLF3117**  
Unit:mm →



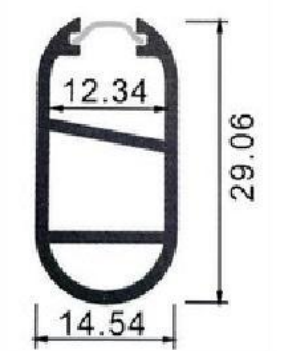
**TCLF3218**  
Unit:mm →



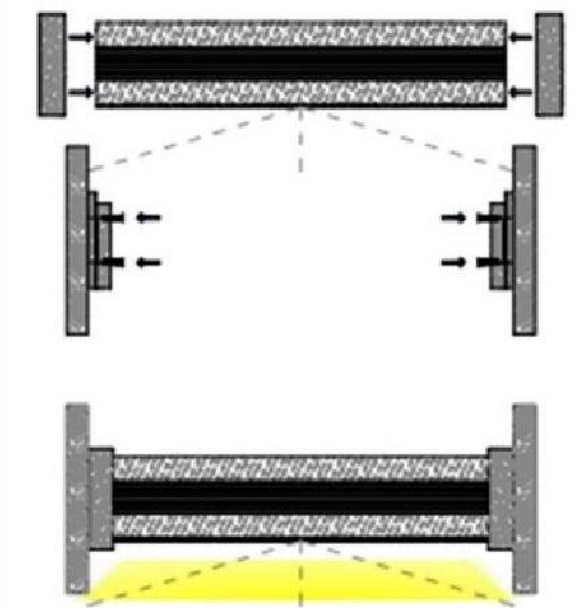
**TCLF2915**  
Unit:mm →



**TCLF29151**  
Unit:mm →



Installation step



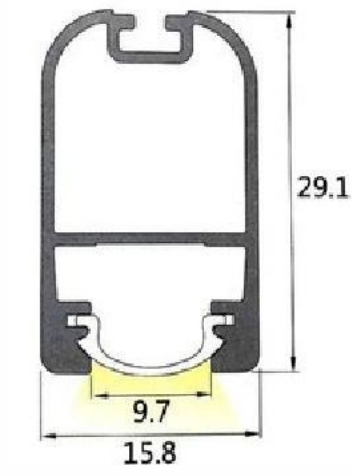
Accessories



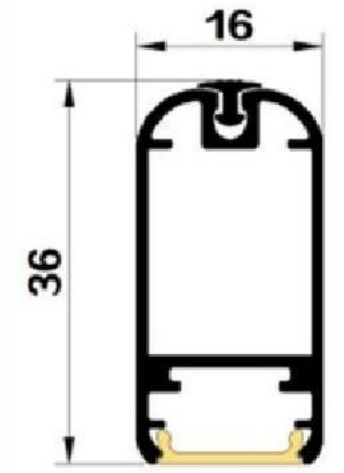
# Wardrobe tube



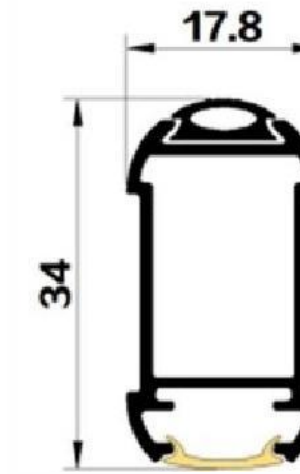
**TCLF2916**  
Unit:mm →



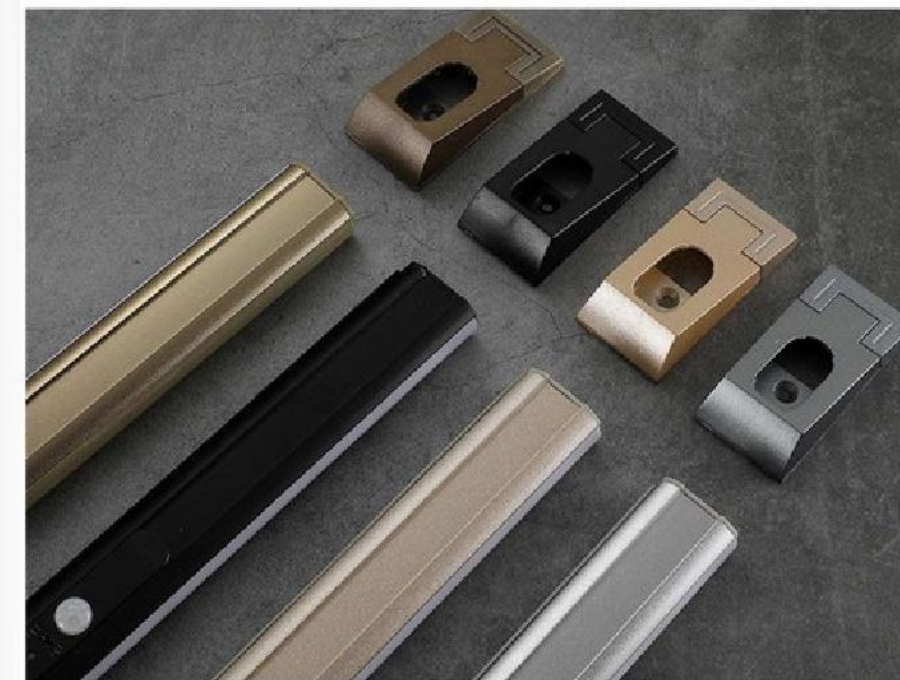
**TCLF3616**  
Unit:mm →



**TCLF3418**  
Unit:mm →



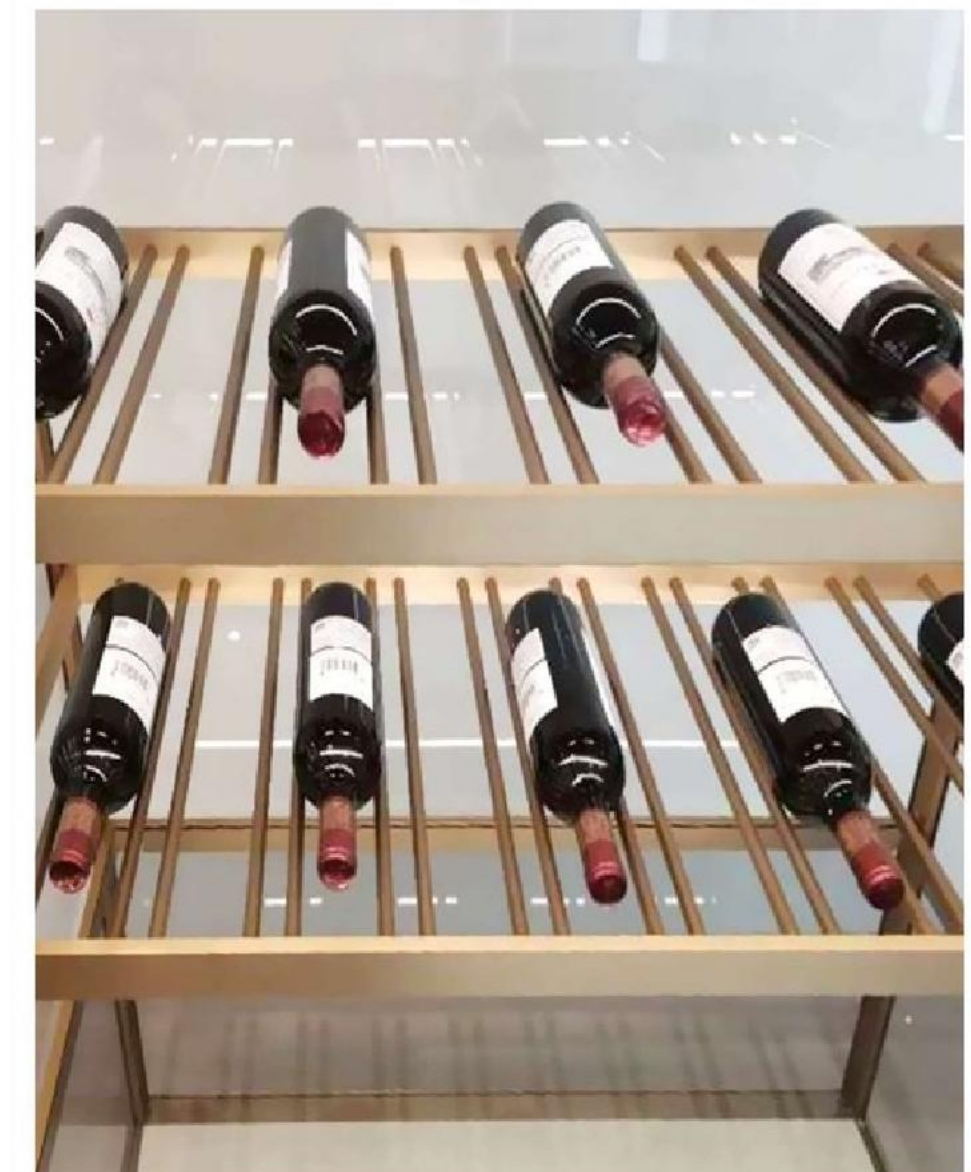
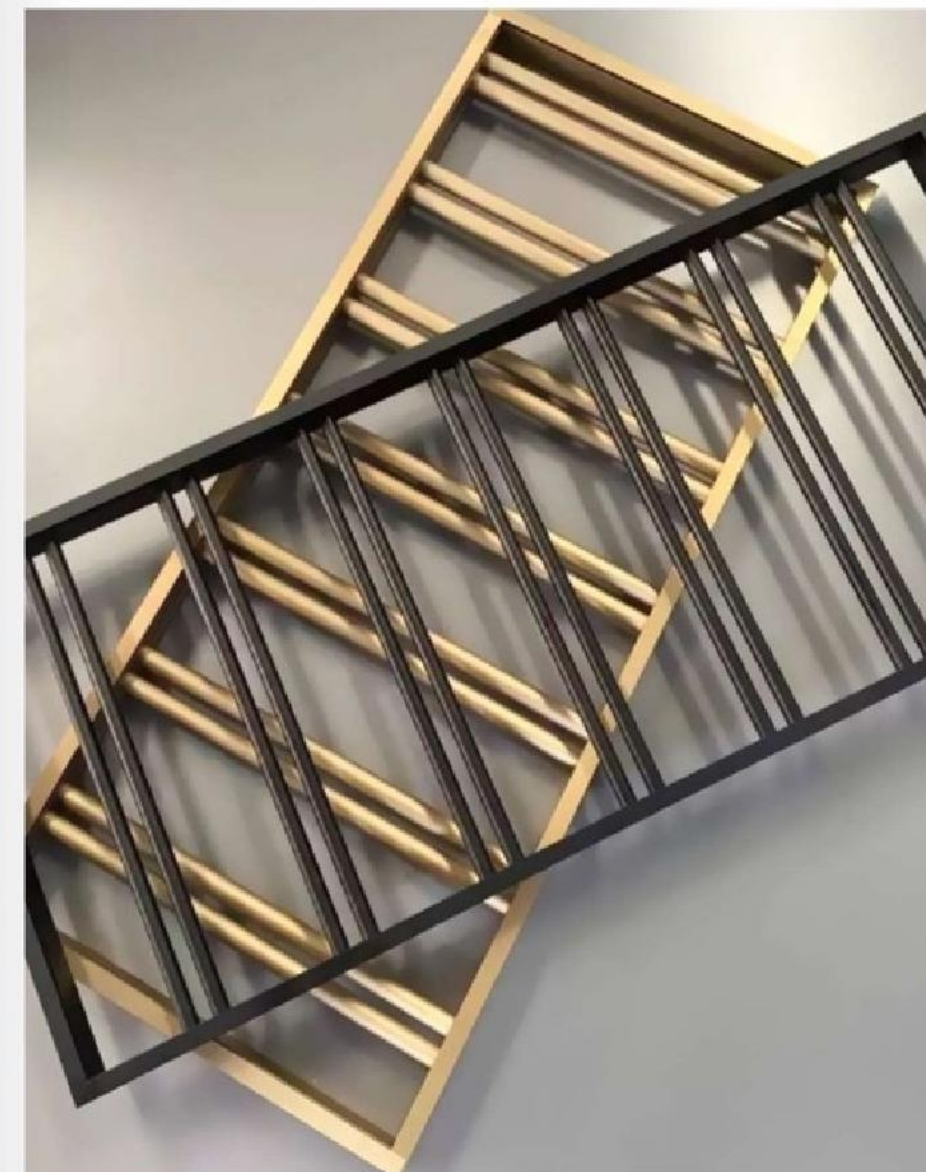
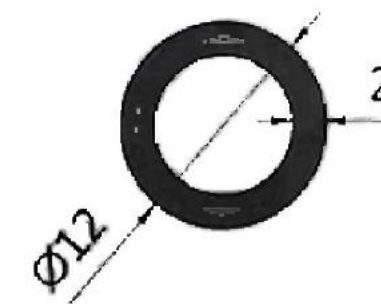
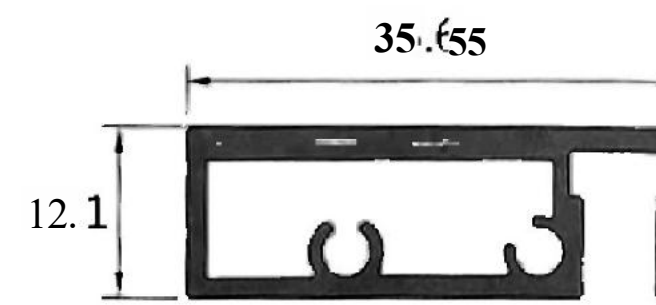
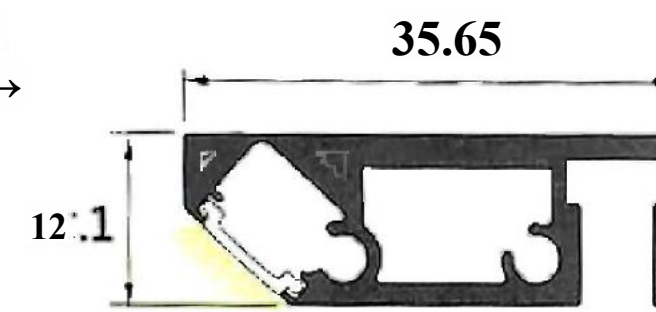
**TCLF3219**  
Unit:mm →



# Wine bottle rack with lighting



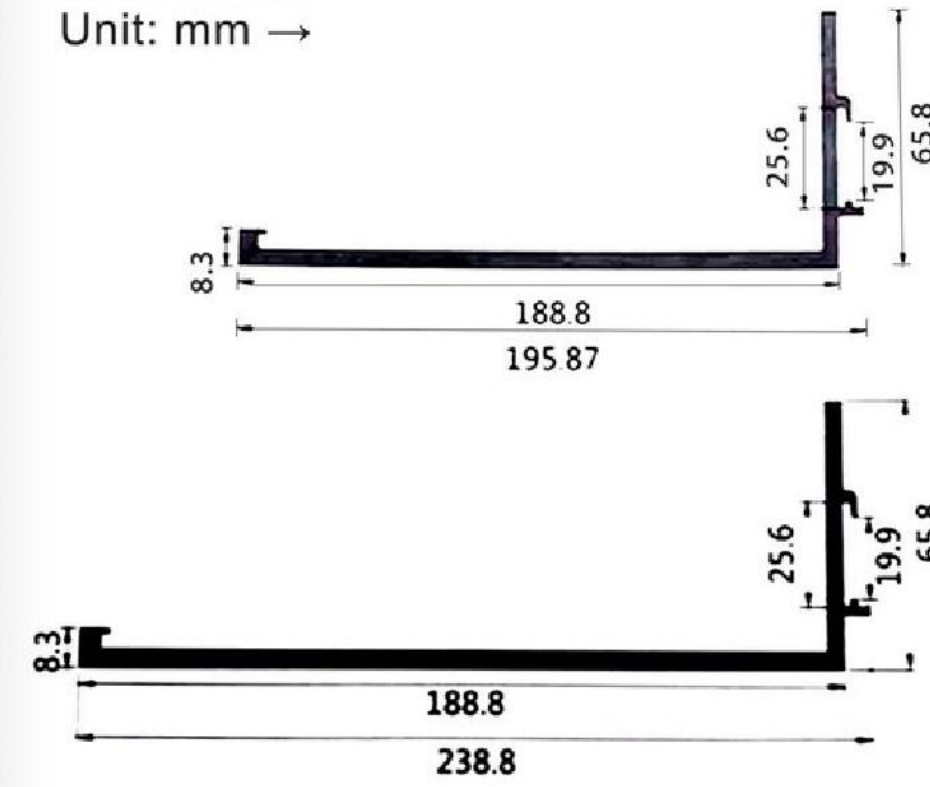
TCLW3612  
Unit:mm →



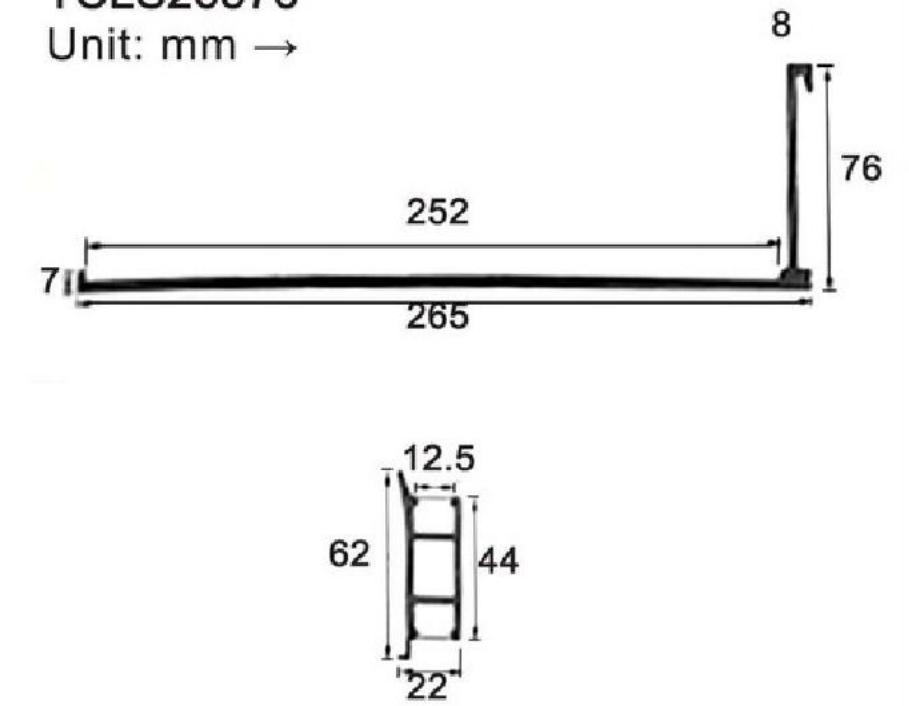
# Shelf with lamp



**TCLS19666**  
Unit: mm →



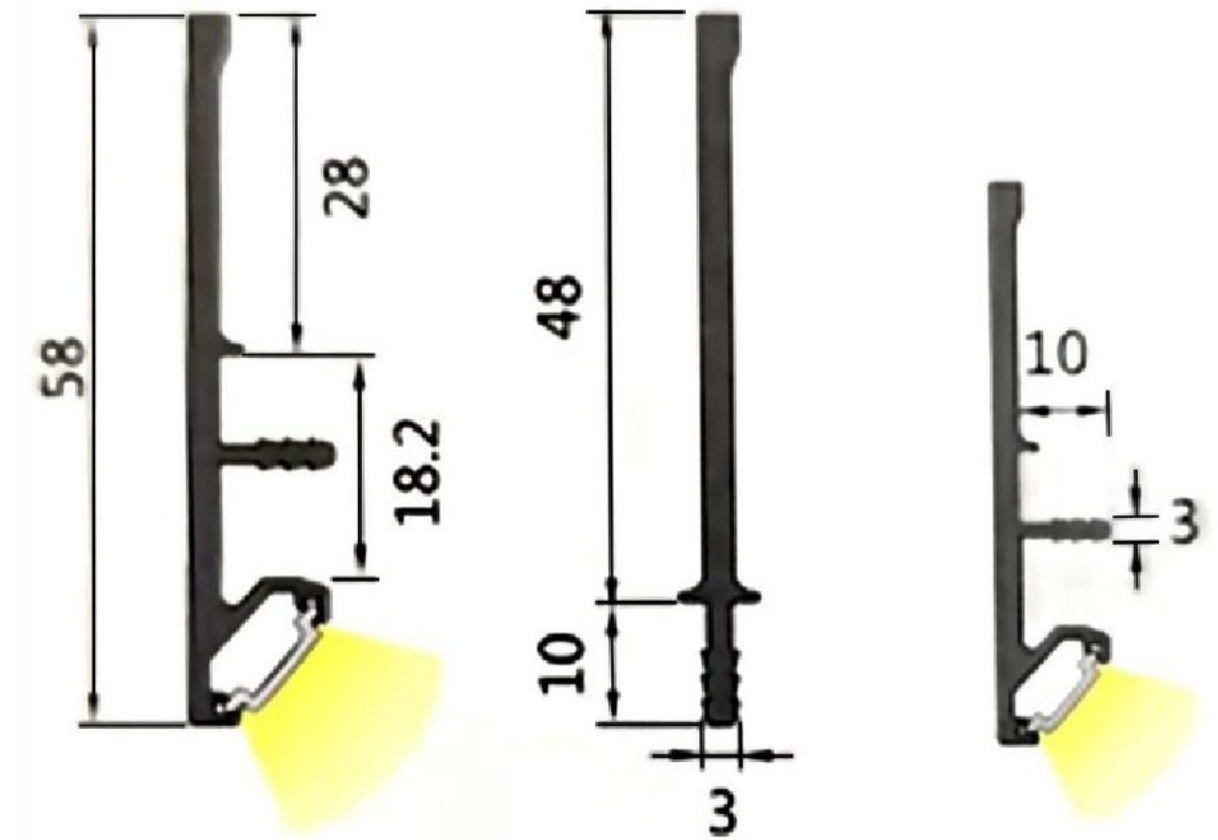
**TCLS26576**  
Unit: mm →



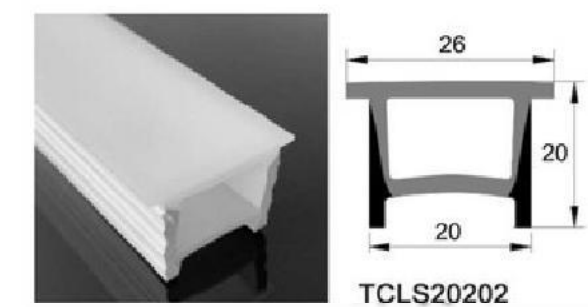
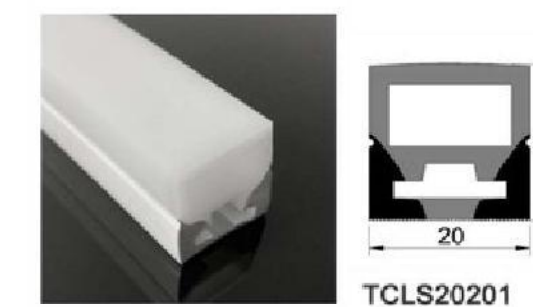
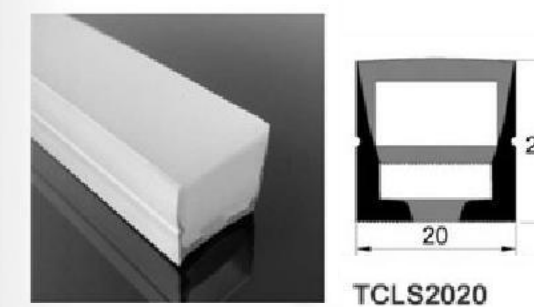
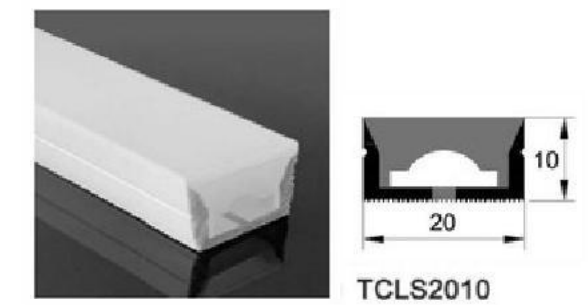
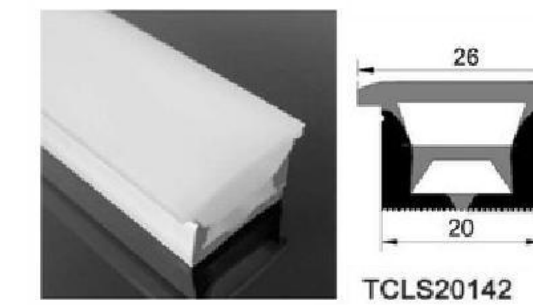
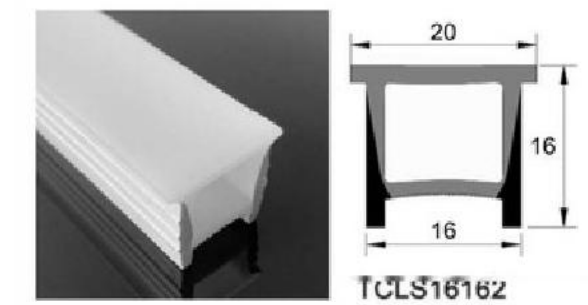
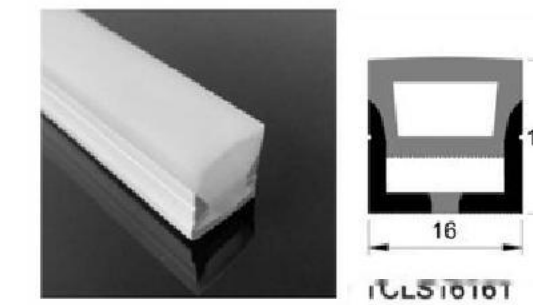
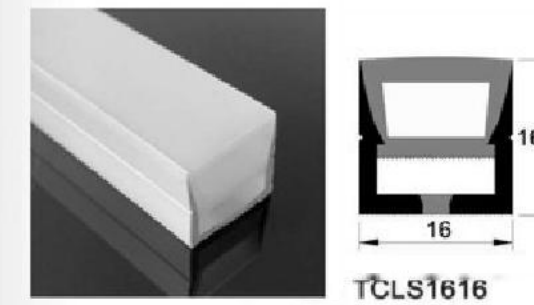
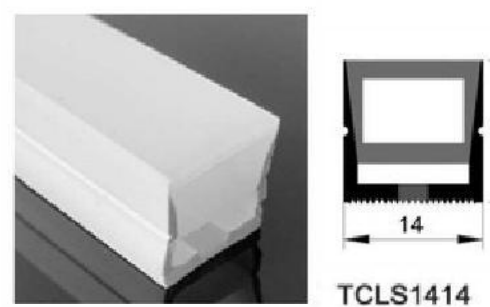
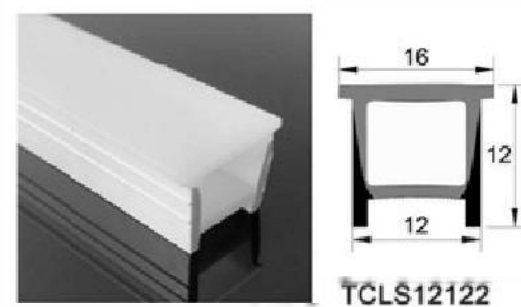
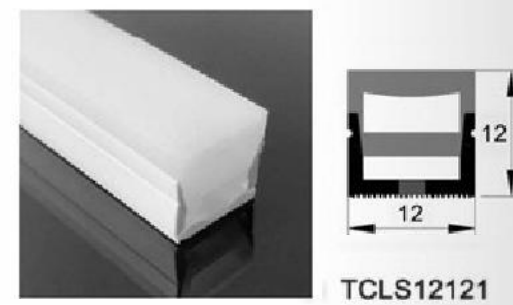
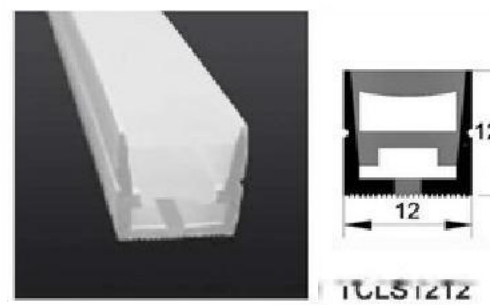
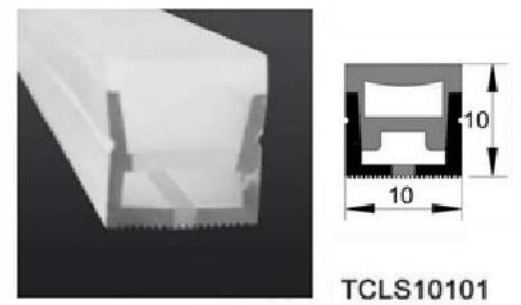
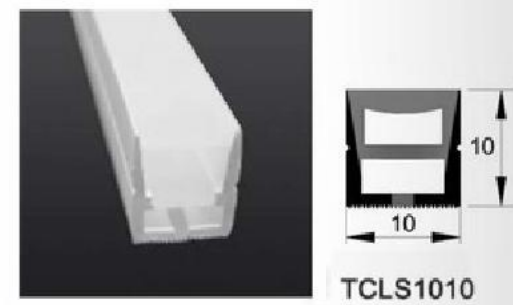
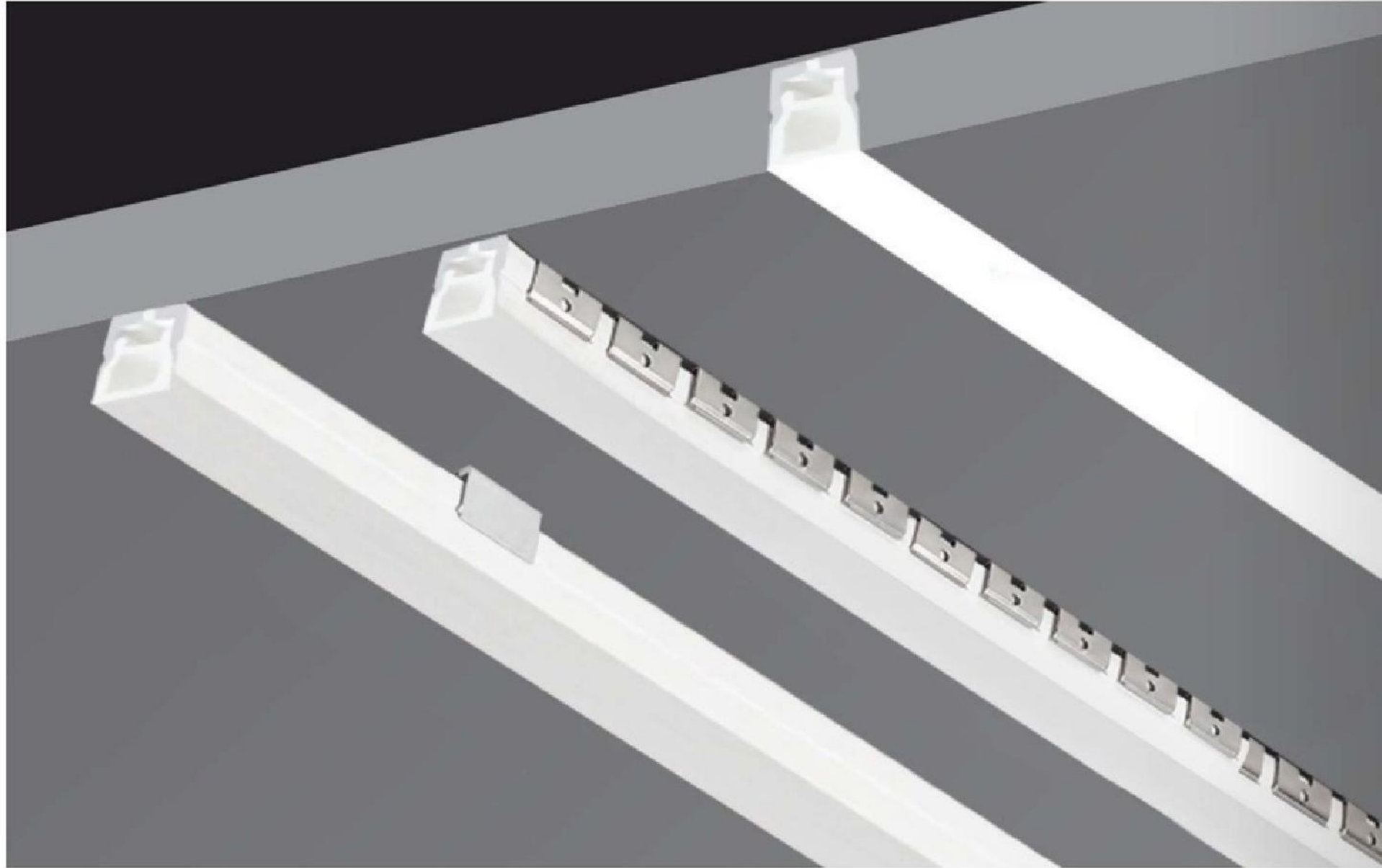
# Shoe cabinet retaining strip led laminate lamp



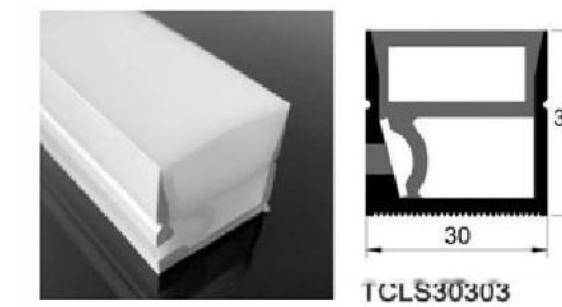
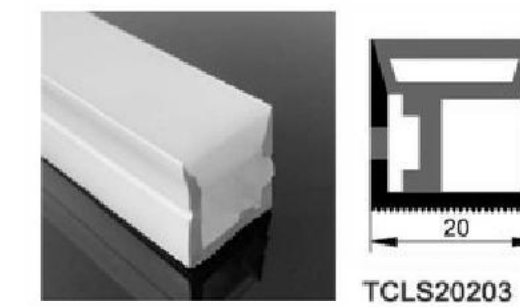
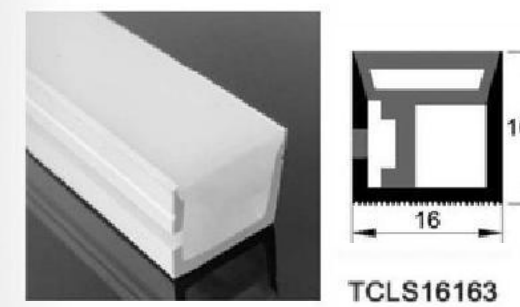
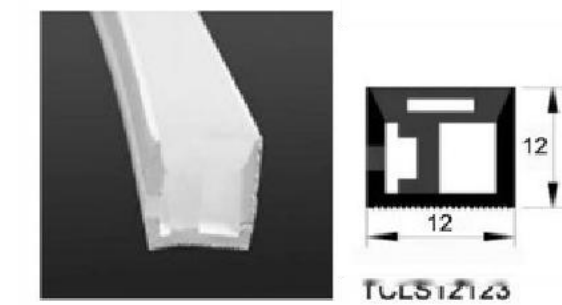
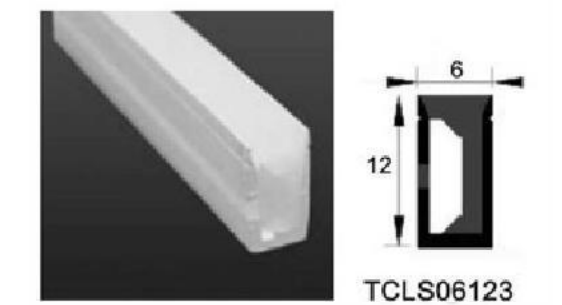
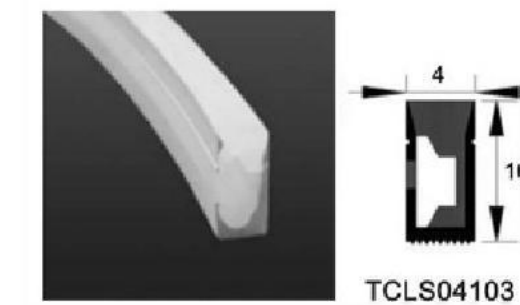
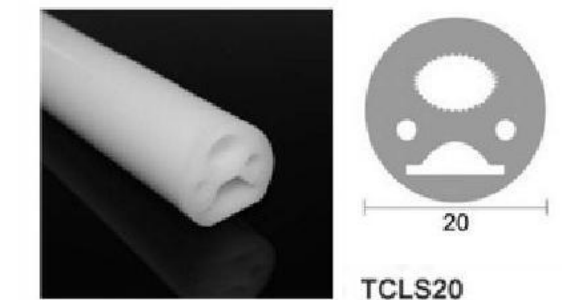
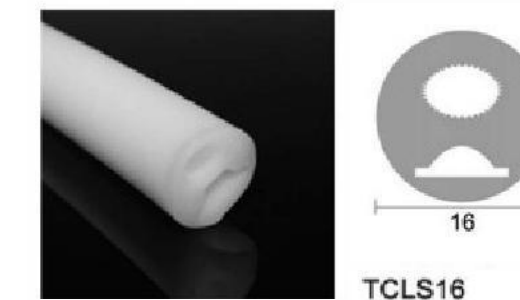
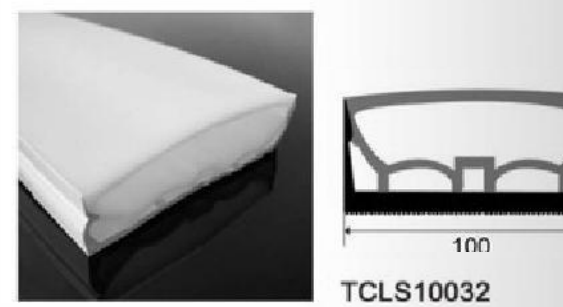
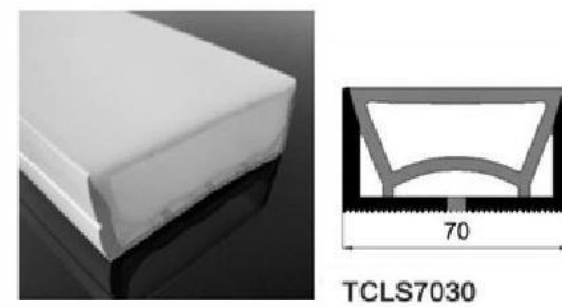
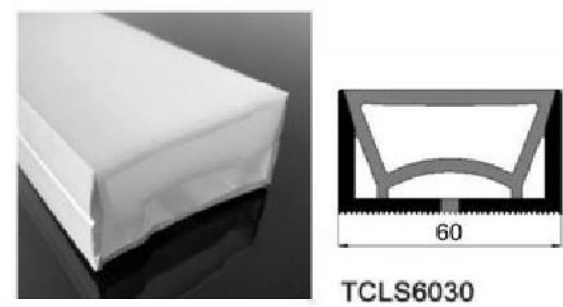
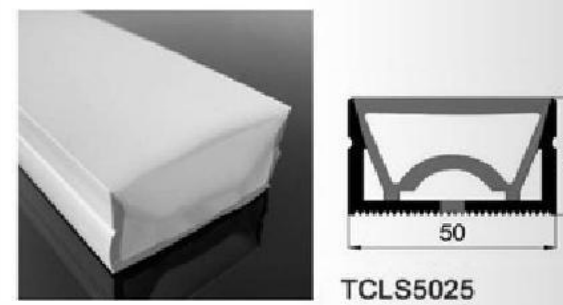
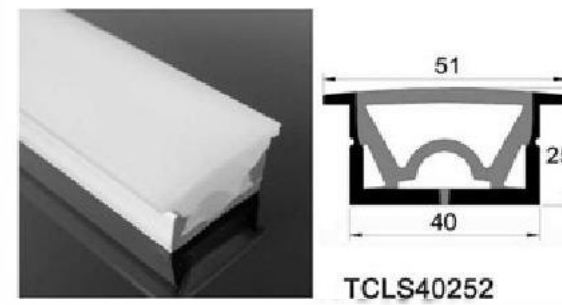
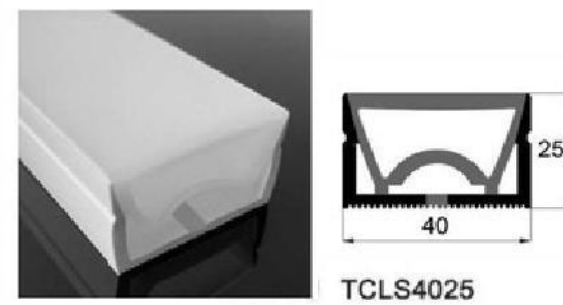
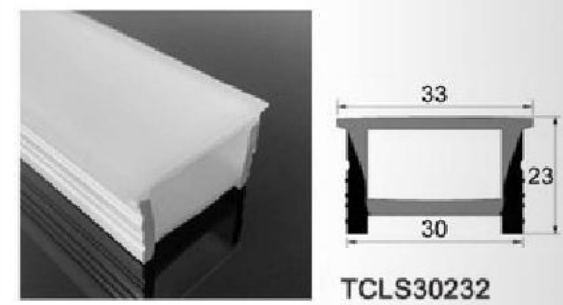
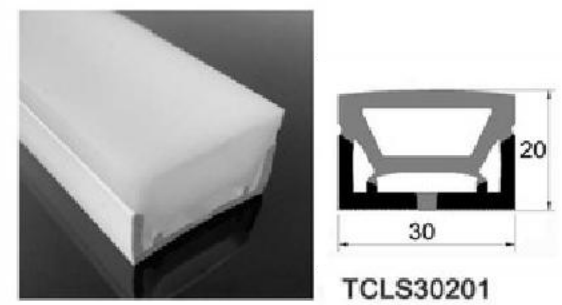
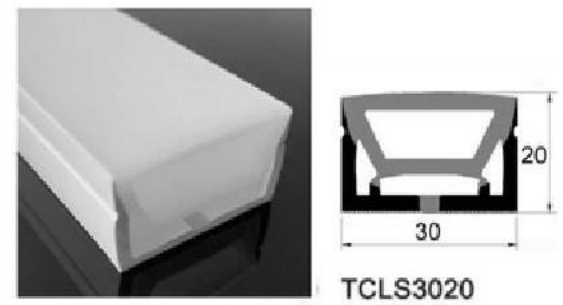
TCLSC58  
Unit:mm→



# Flexible silicone sleeve (Unit:mm)



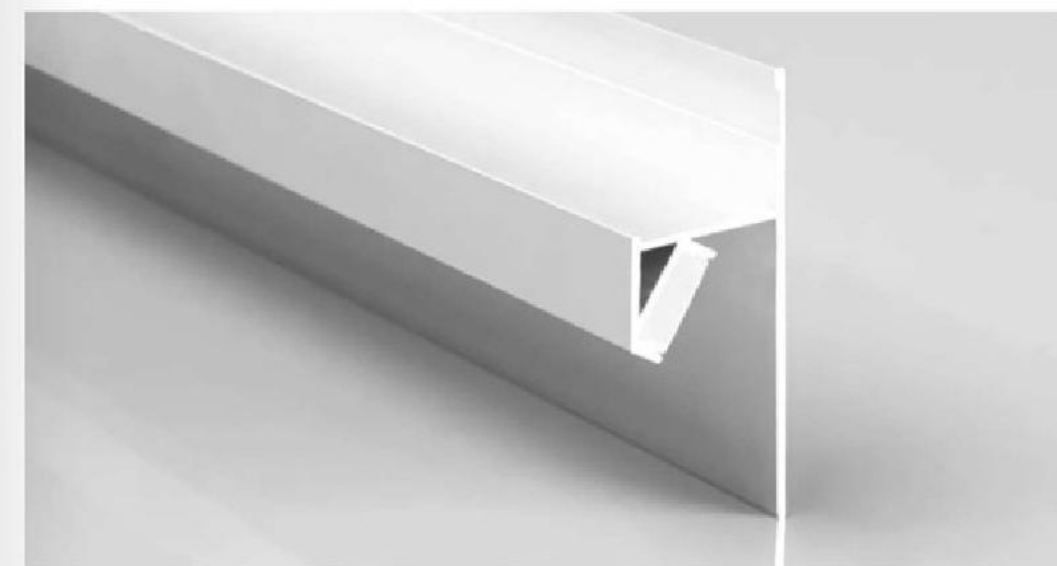
# Flexible silicone sleeve (Unit:mm)



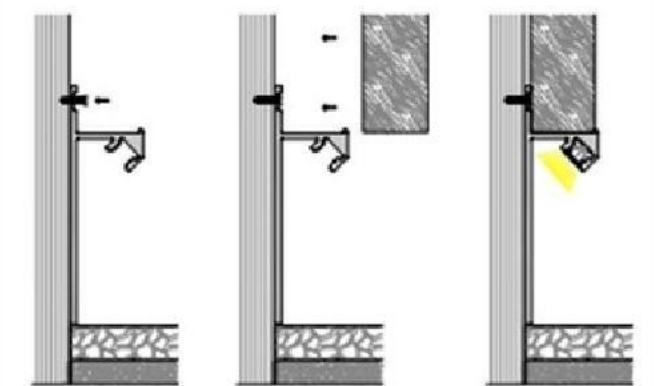
*Decorative*  
*Building Material*



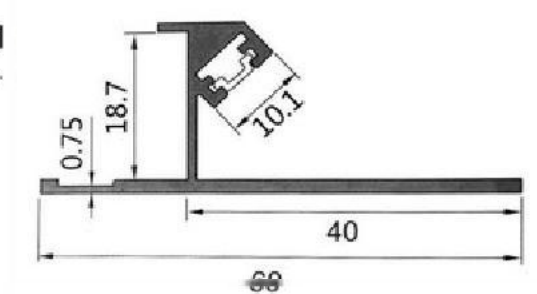
# Skirting board 60mm-80mm



### Installation step



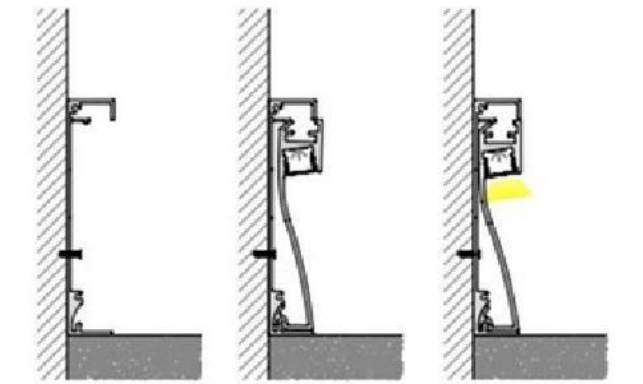
SK B3601  
Unit: mm →



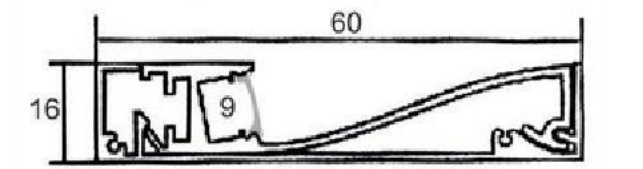
# Skirting board 60mm-80mm



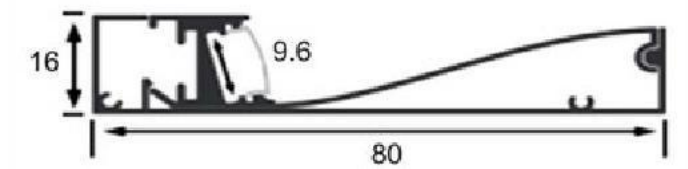
Installation step



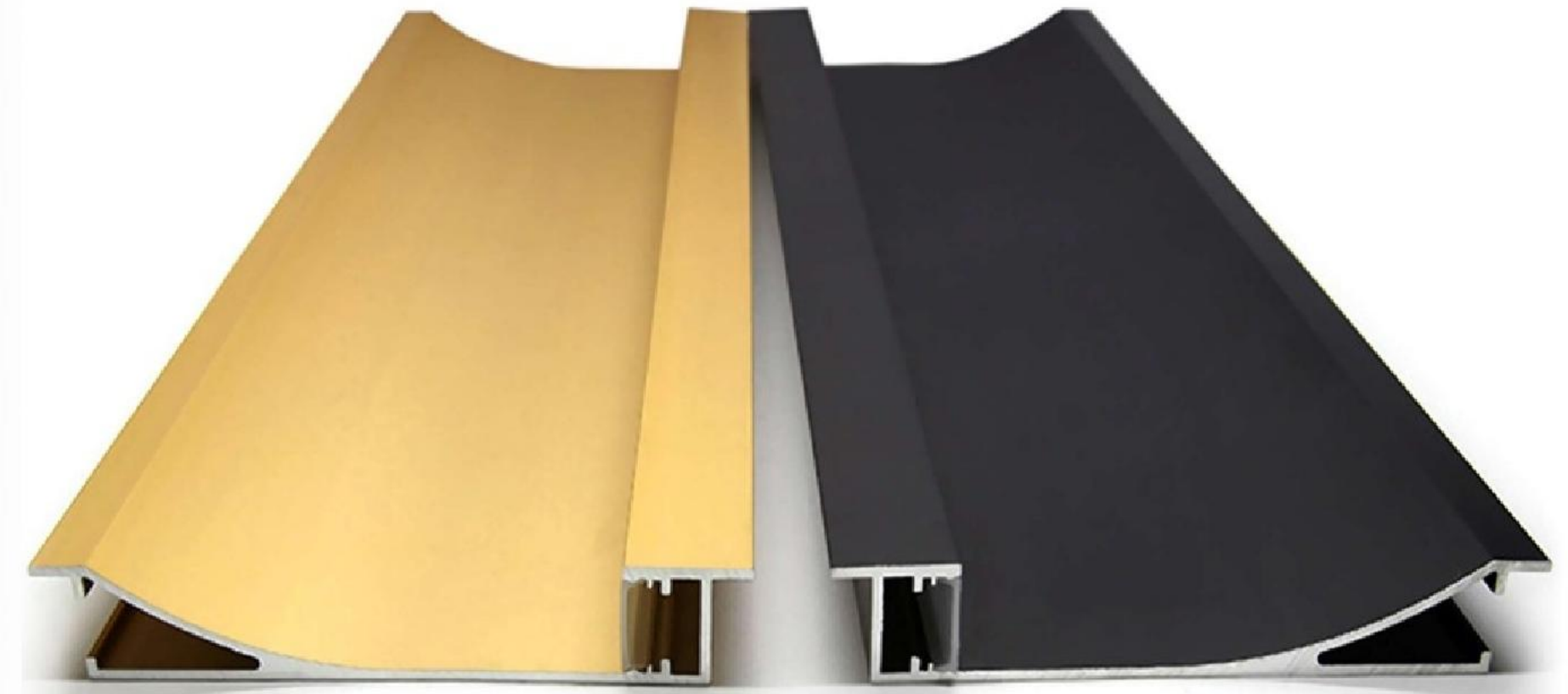
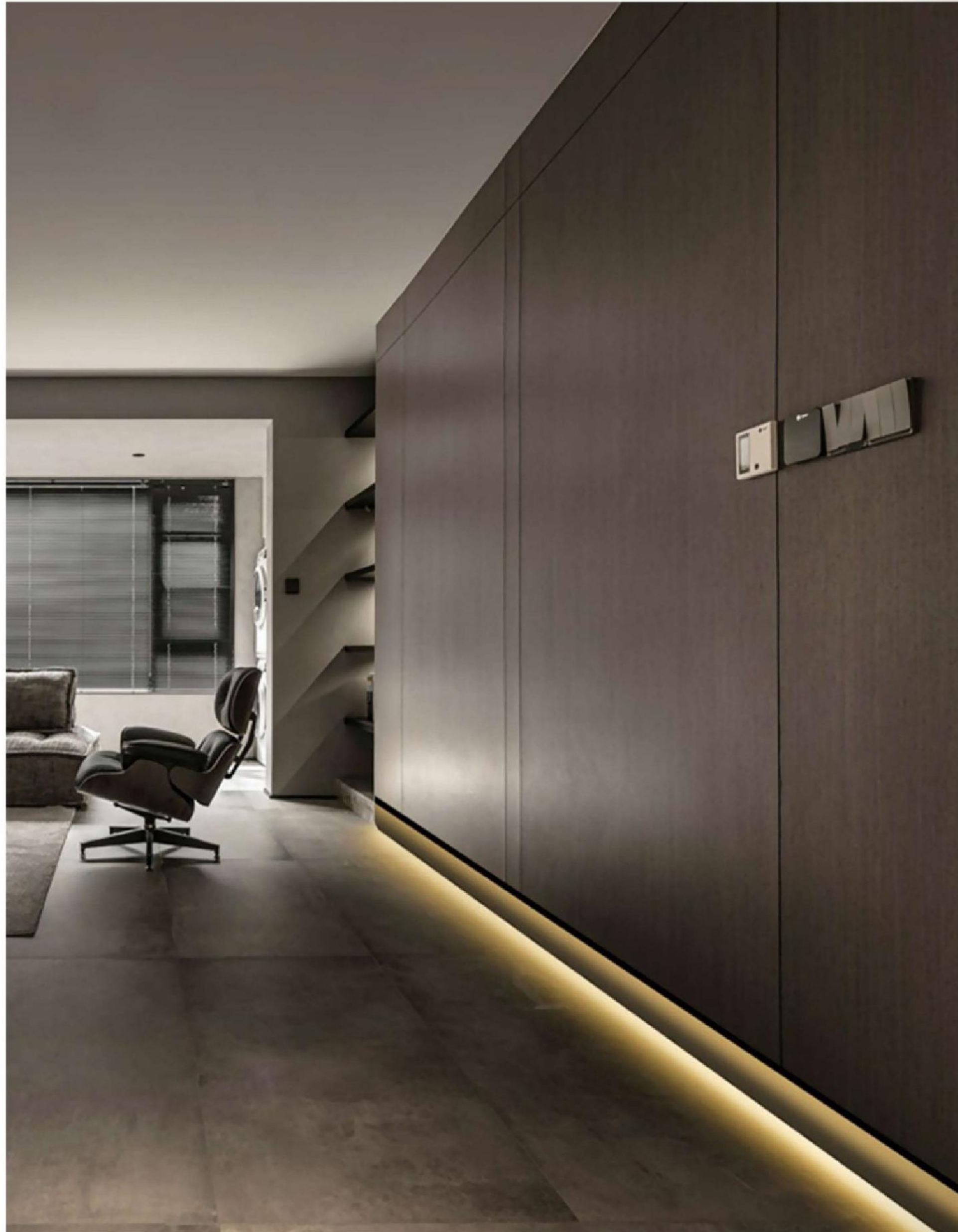
SKB3602  
Unit: mm →



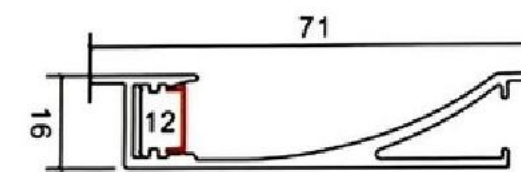
SKB380  
Unit: mm →



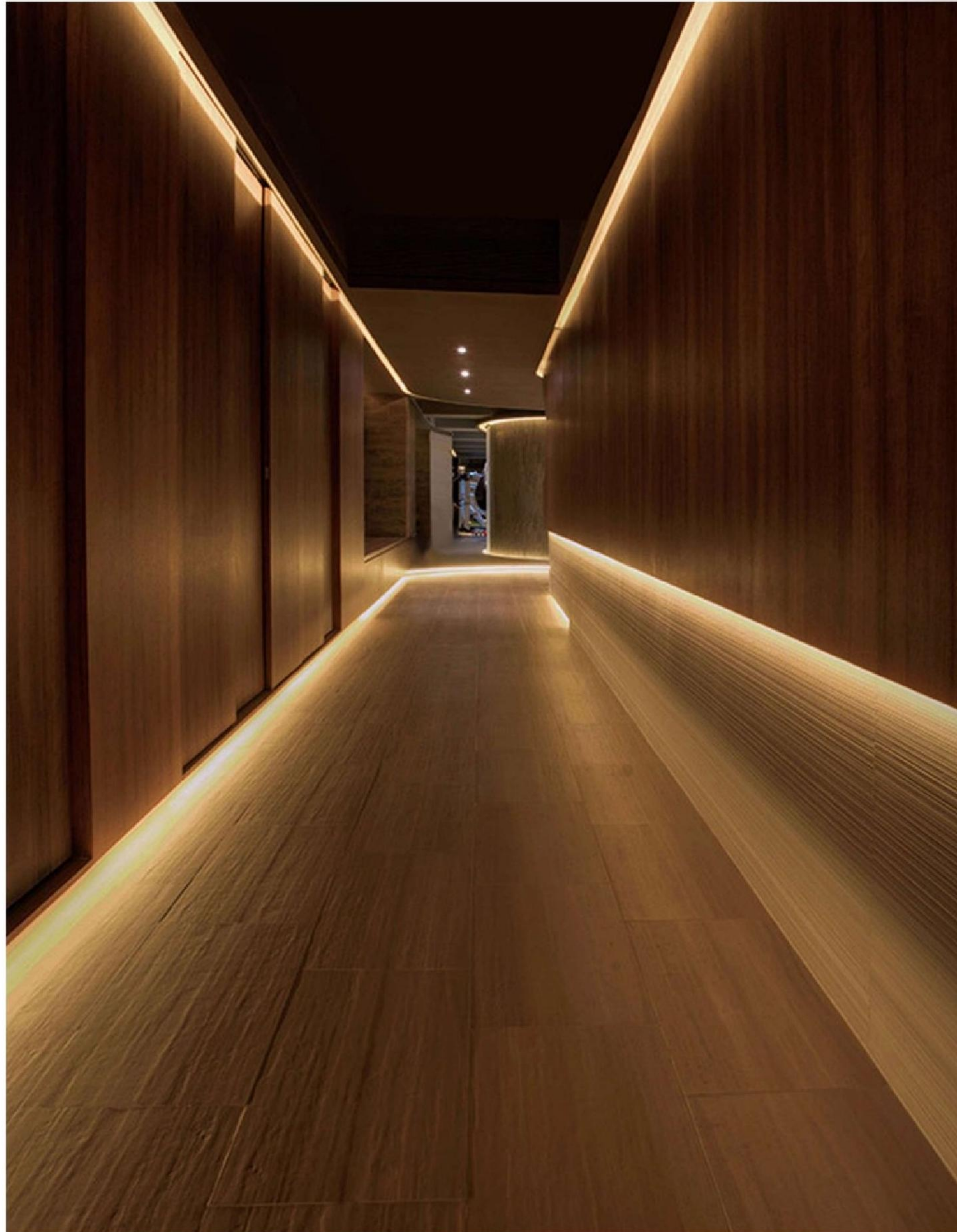
# Skirting board 60mm-80mm



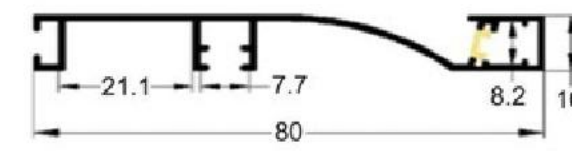
SKB3711  
Unit: mm →  
Weight: 0.49kg/m



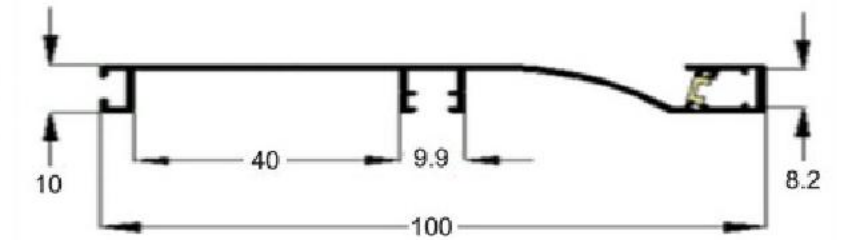
# Skirting board 60mm-80mm



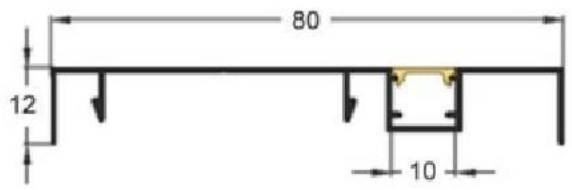
SKB3801  
Unit: mm →



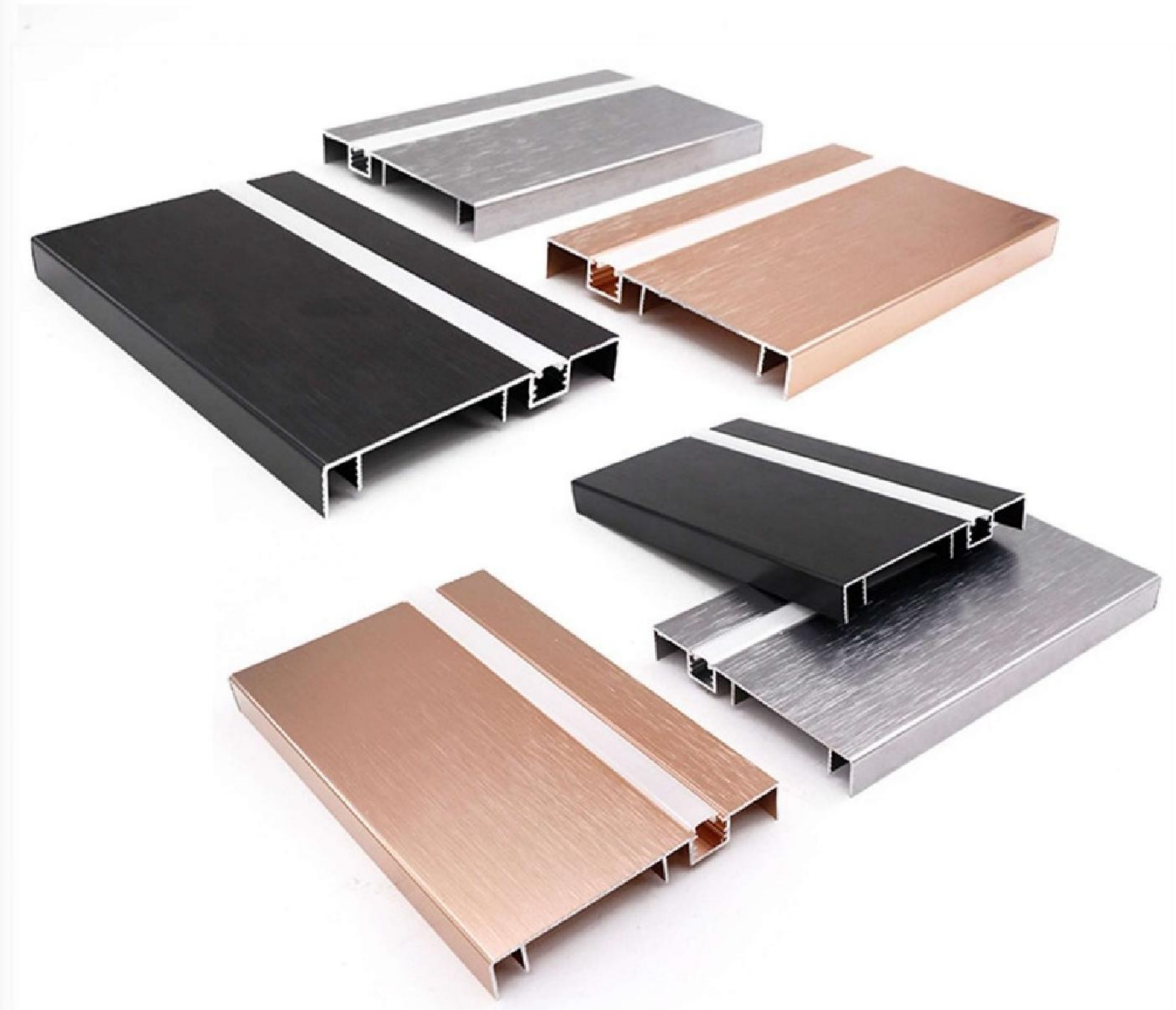
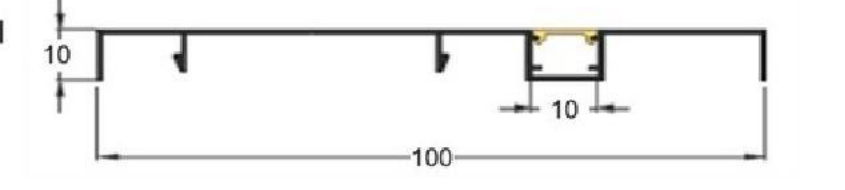
SKB3100  
Unit: mm →



SKB3802  
Unit: mm →



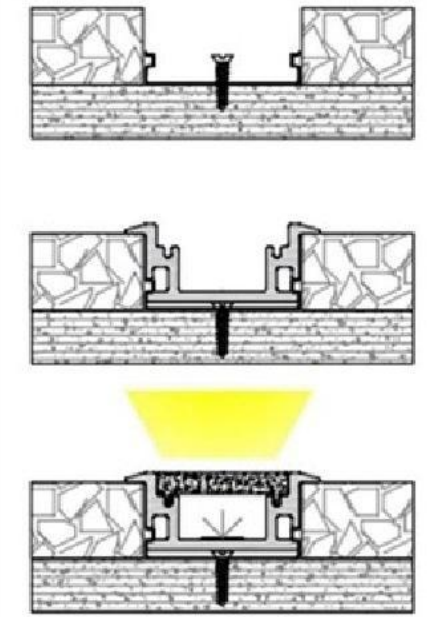
SKB31001  
Unit: mm →



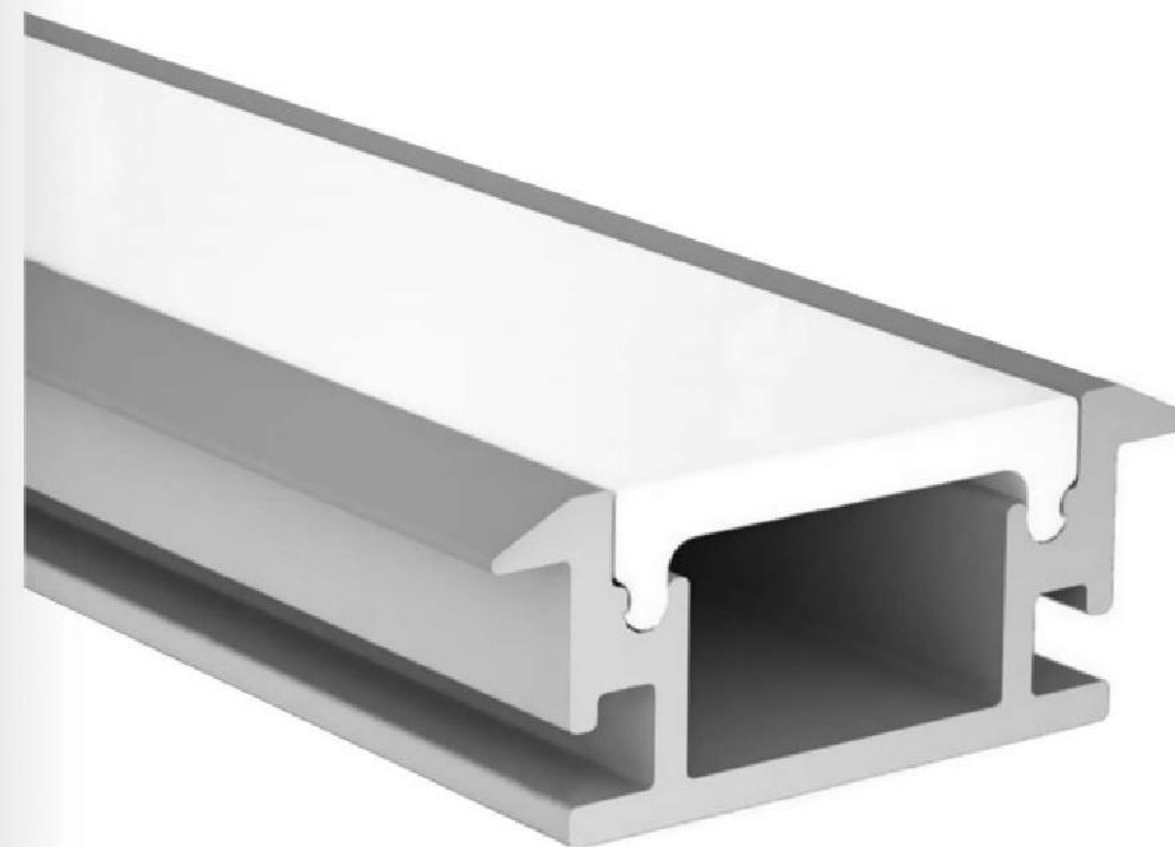
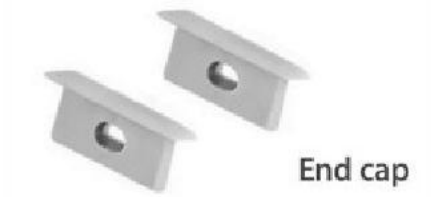
# Staircase lamp with edge



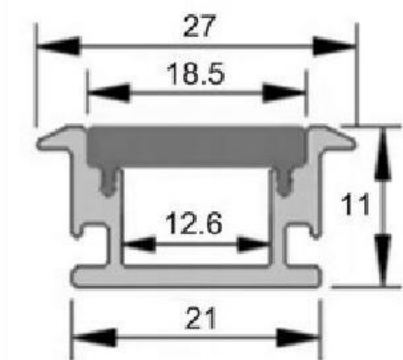
### Installation step



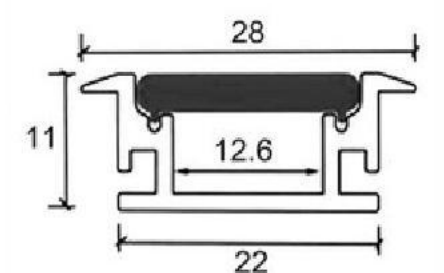
### Accessories



**TCLD21 11E**  
 Unit: mm →  
 Weight: 0.212kg/m

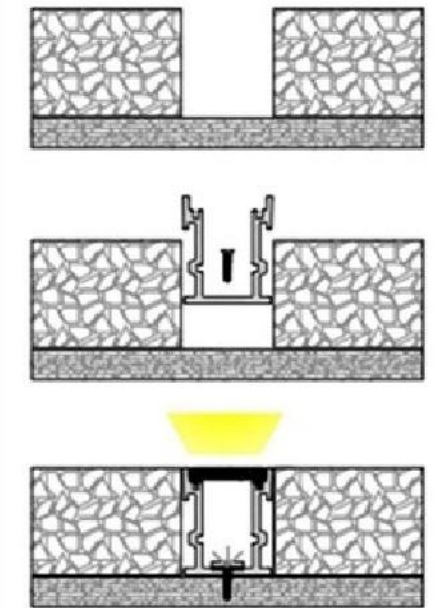


**TCLD2211E**  
 Unit: mm →  
 Weight: 0.22kg/m

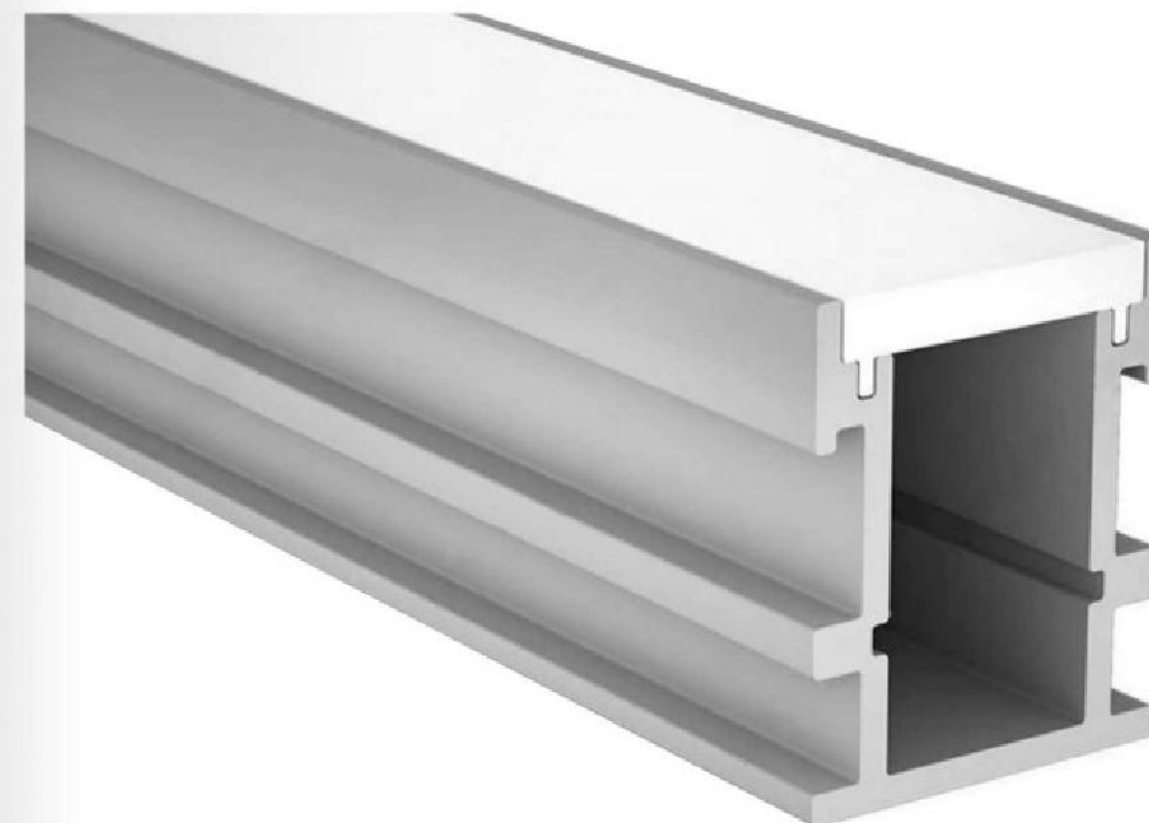
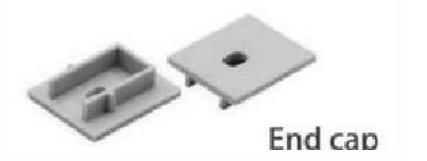




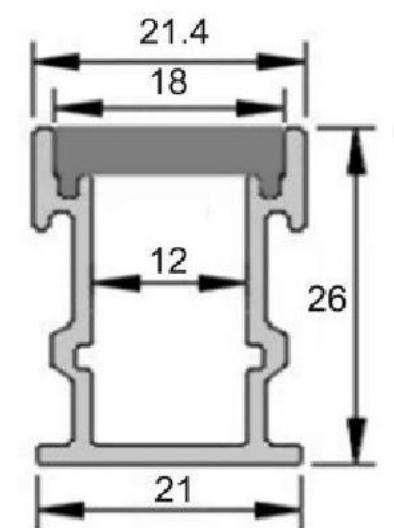
Installation step



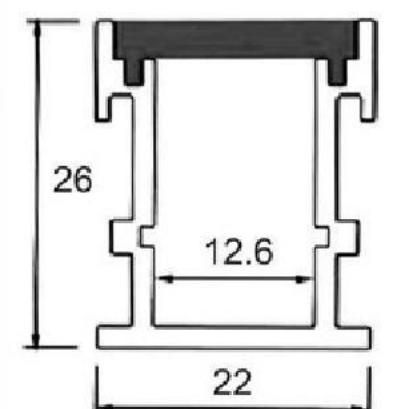
Accessories

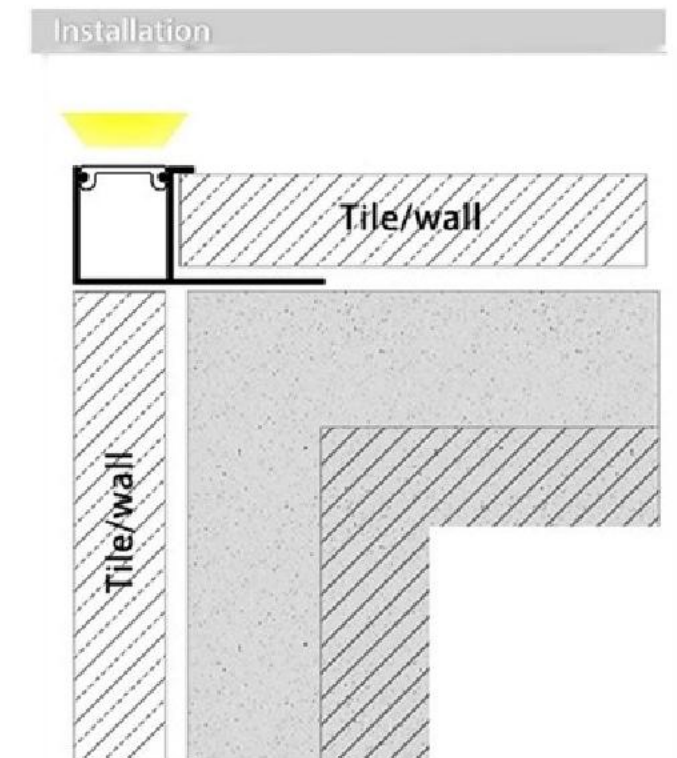
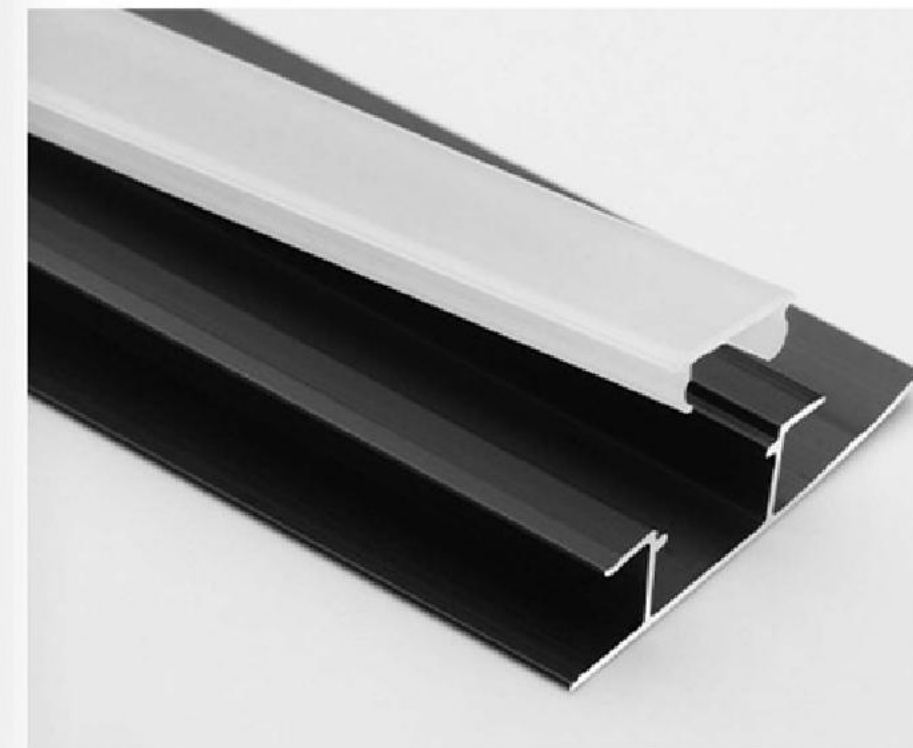
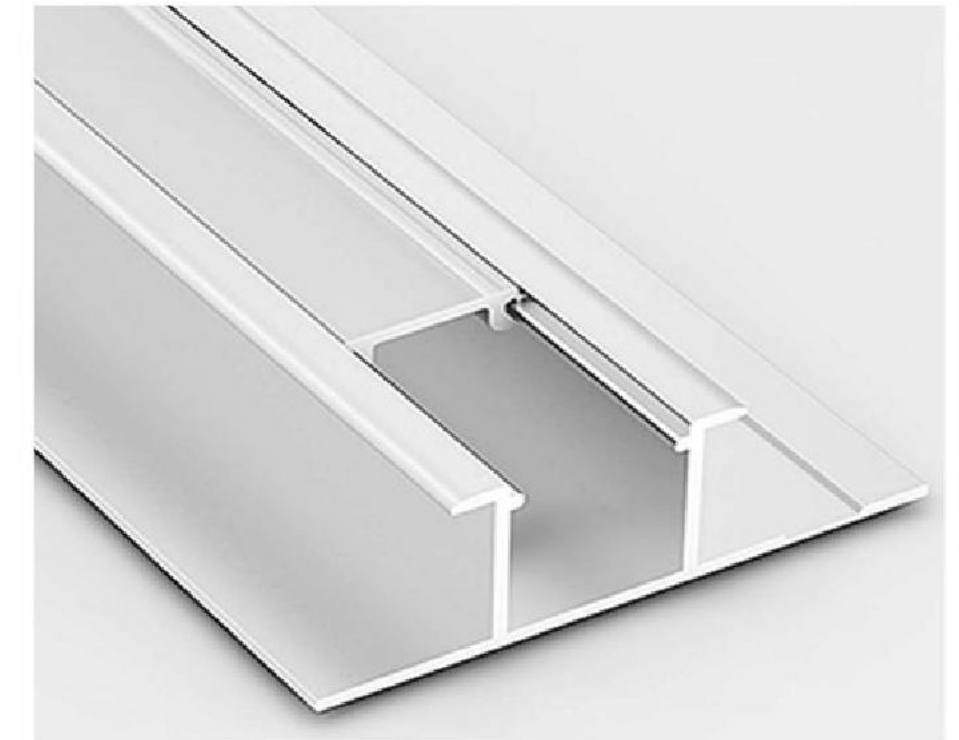


**TCLD2126**  
Unit: mm →  
Weight: 0.62kg/m

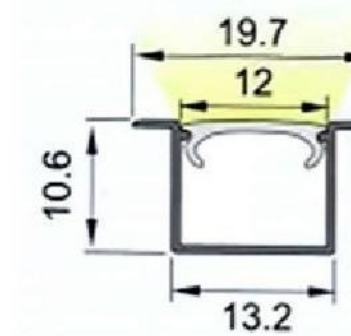


**TCLD2226**  
Unit: mm →  
Weight: 0.362kg/m

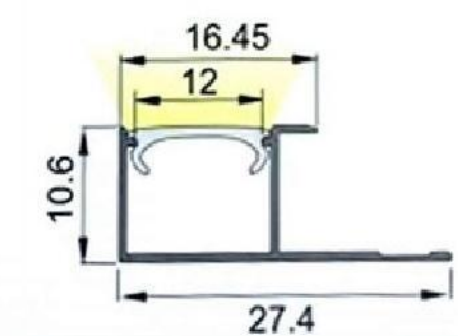




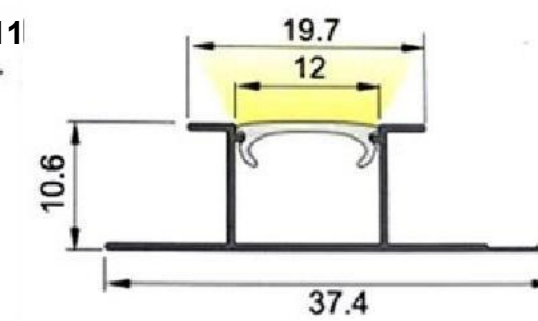
**TCLD2011**  
Unit : mm →



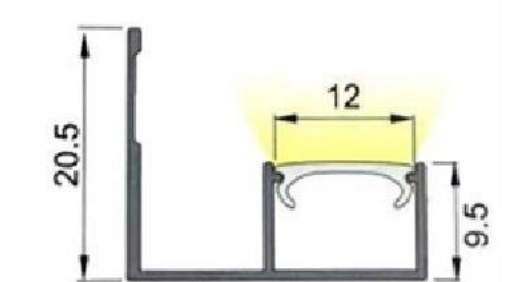
**TCLD2711**  
Unit: mm →



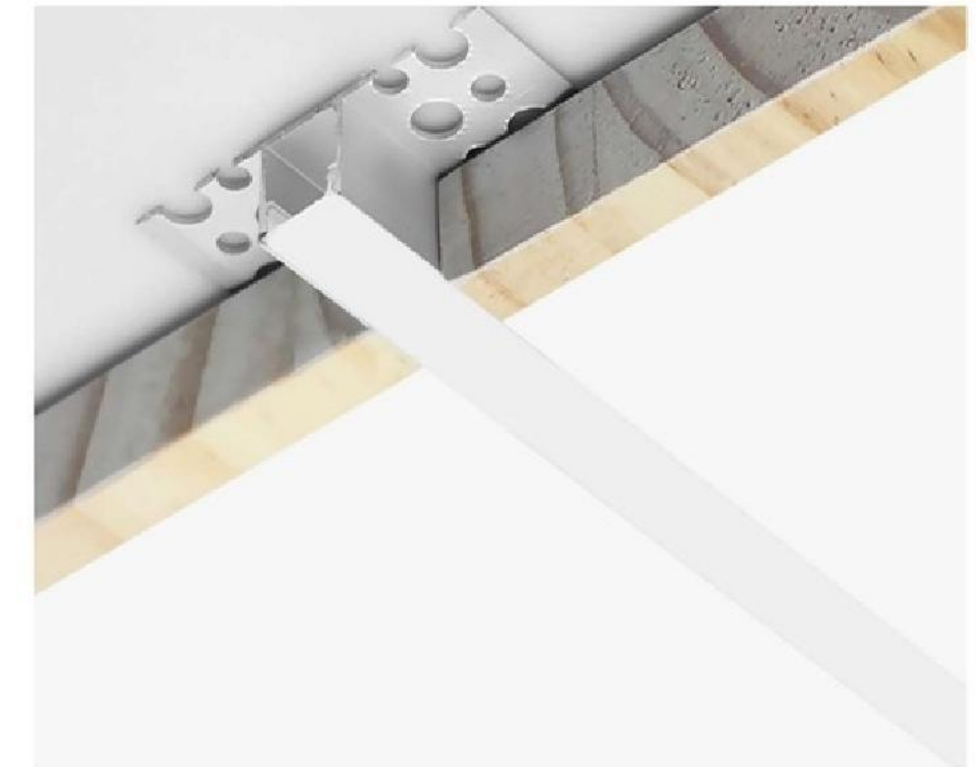
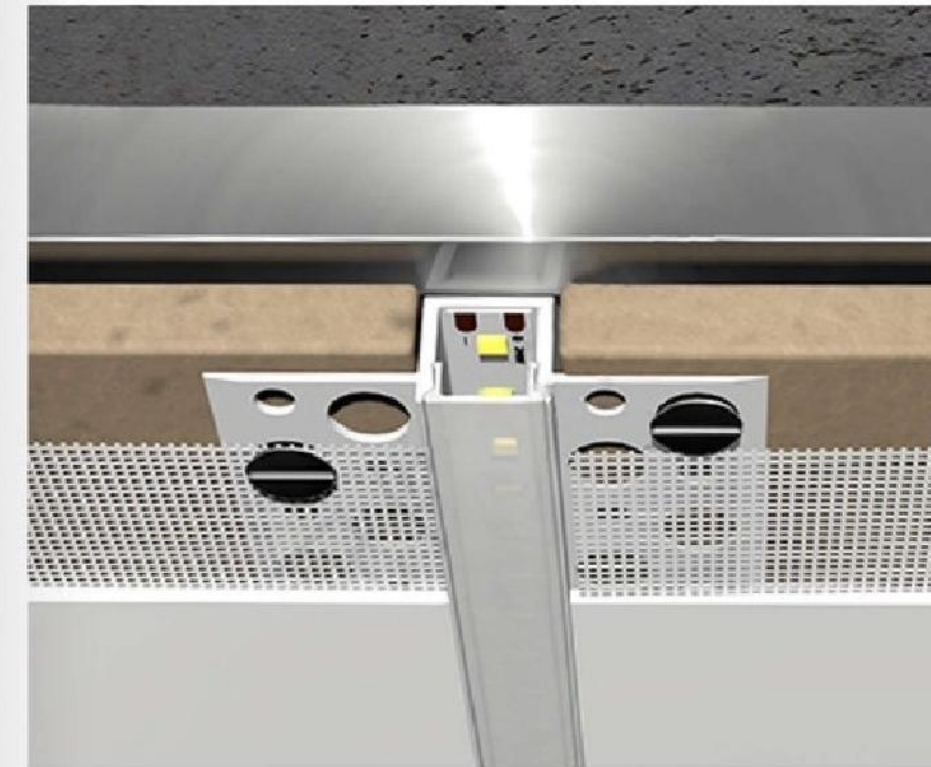
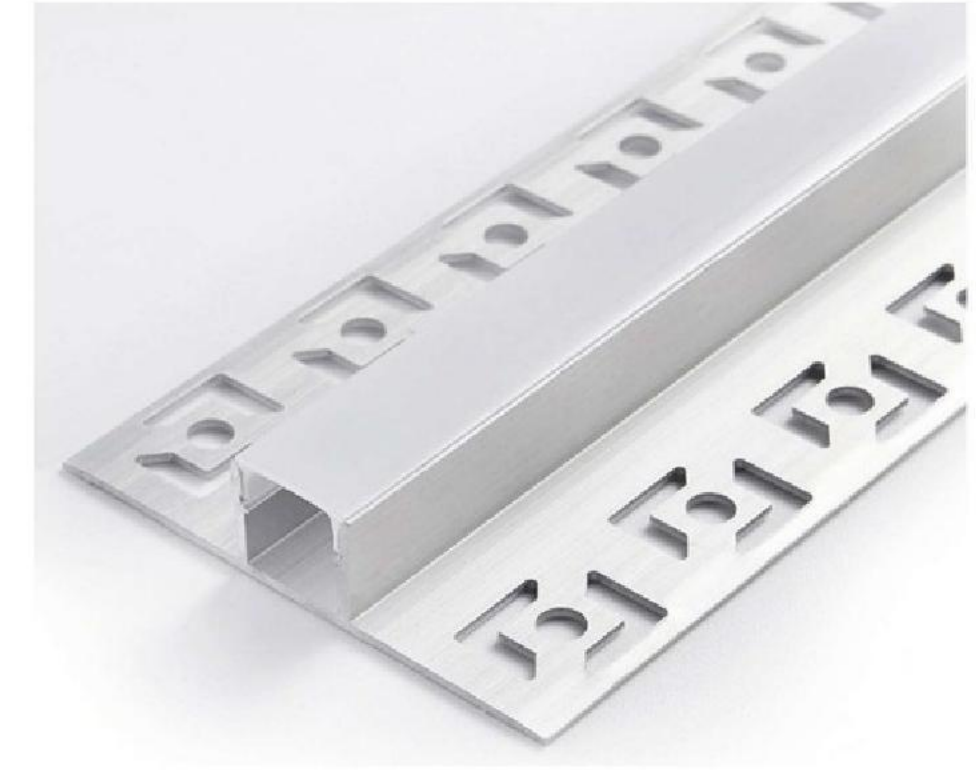
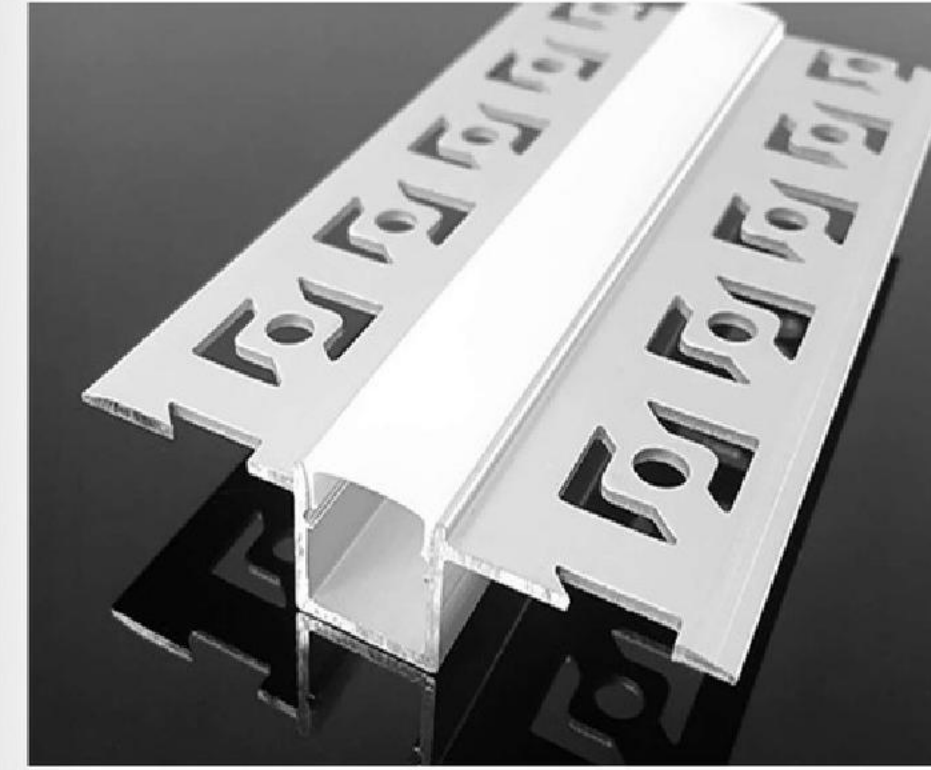
**TCLD3711**  
Unit: mm →



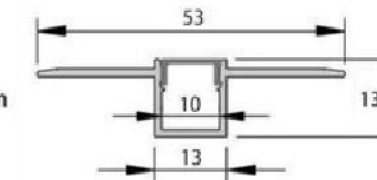
**TCLD2110**  
Unit: mm →



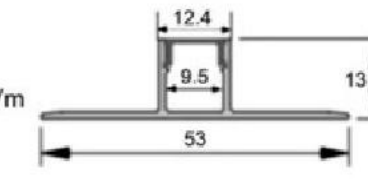
# Decorative border



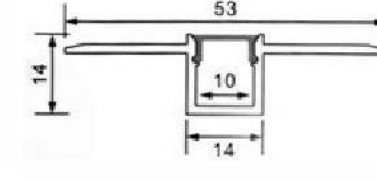
**TCLD5313U**  
Unit: mm →  
Weight: 0.26kg/m



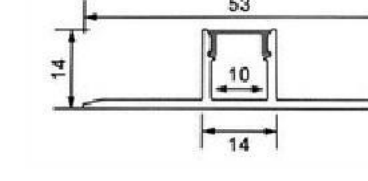
**TCLD5313D**  
Unit: mm →  
Weight: 0.245kg/m



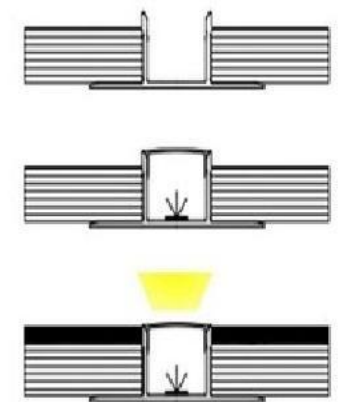
**TCLD5314U**  
Unit: mm →



**TCLD5314D**  
Unit: mm →



### Installation step

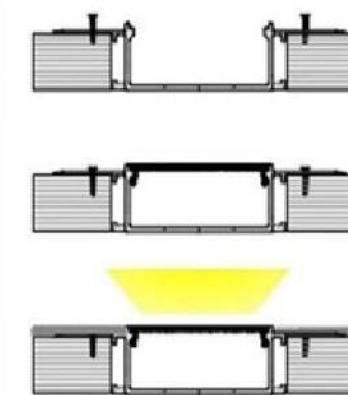


### Accessories





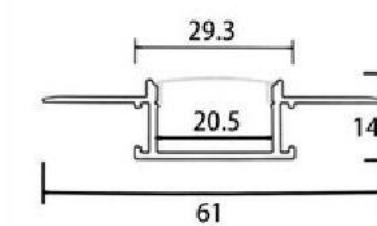
### Installation step



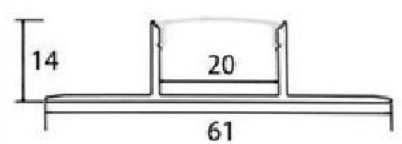
### Accessories



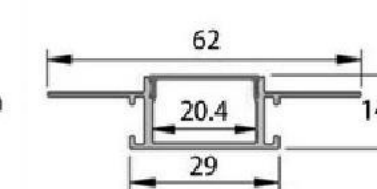
**TCLD6114U**  
Unit: mm →



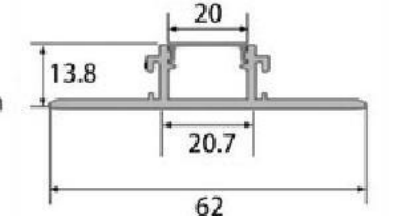
**TCLD6114D**  
Unit: mm →



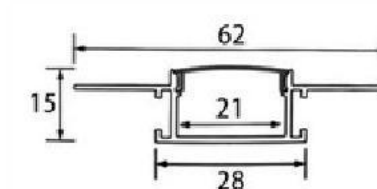
**TCLD6214U**  
Unit: mm →  
Weight: 0.28kg/m



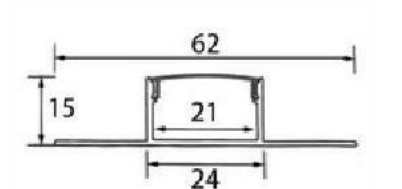
**TCLD6214D**  
Unit: mm →  
Weight: 0.255kg/m

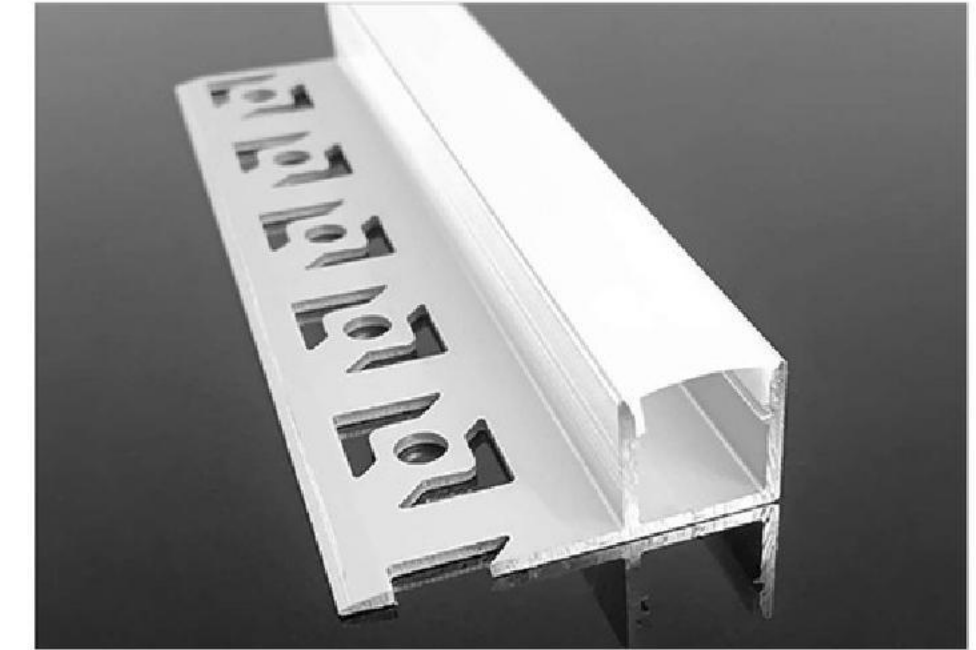


**TCLD6215U**  
Unit: mm →

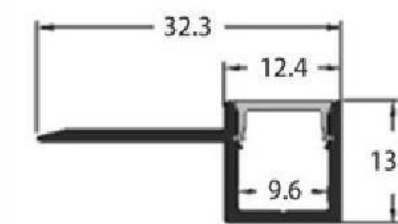


**TCLD6215D**  
Unit: mm →

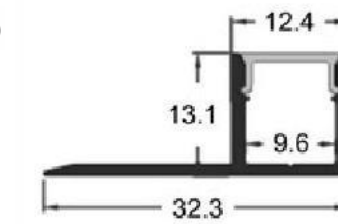




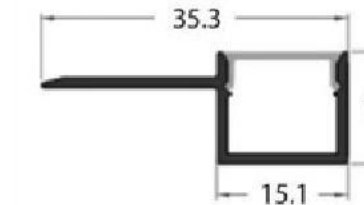
**TCLD3213U**  
Unit:mm →



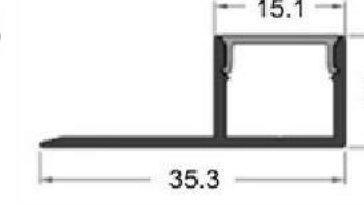
**TCLD3213D**  
Unit:mm →



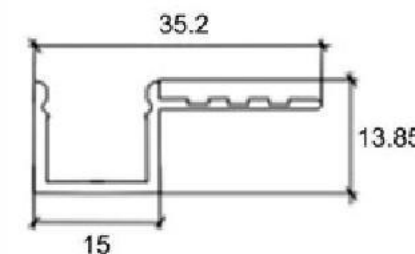
**TCLD3513U**  
Unit: mm →



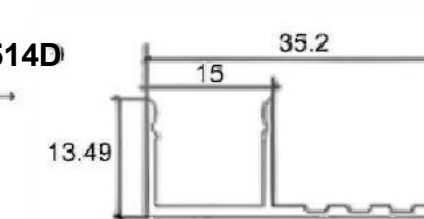
**TCLD3513D**  
Unit: mm →



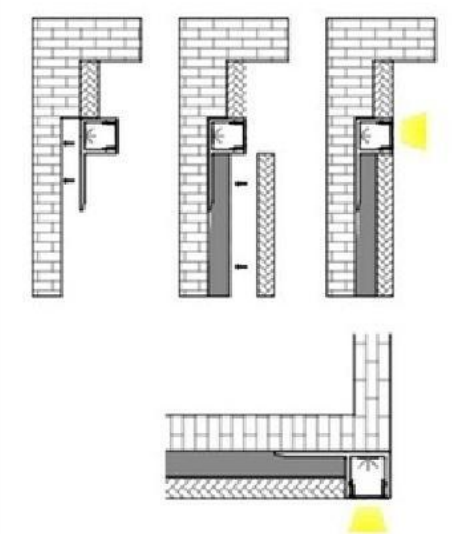
**TCLD3514U**  
Unit: mm →



**TCLD3514D**  
Unit: mm →



Installation step



Accessories

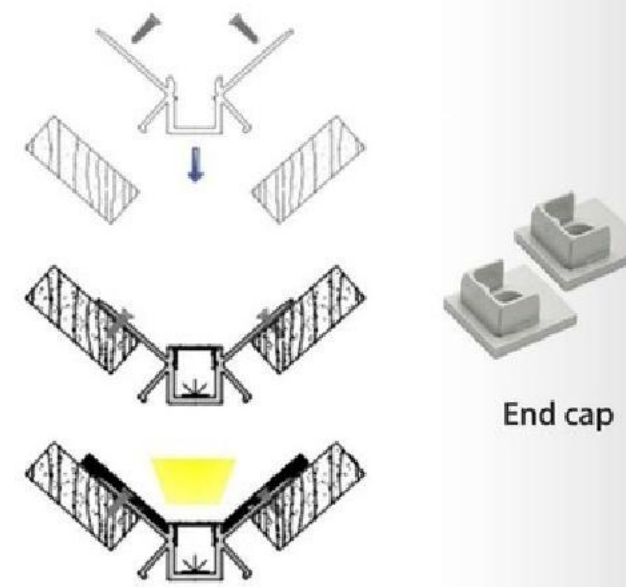


# External corner

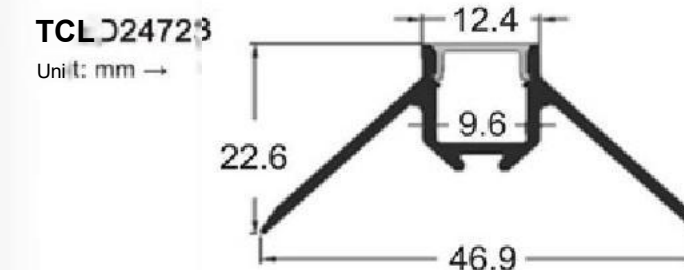
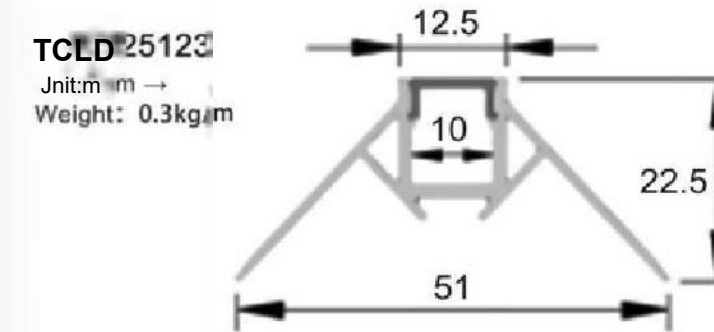
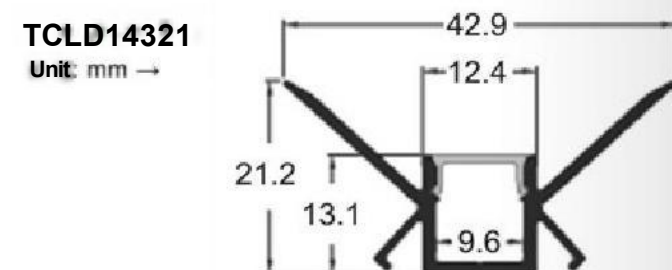
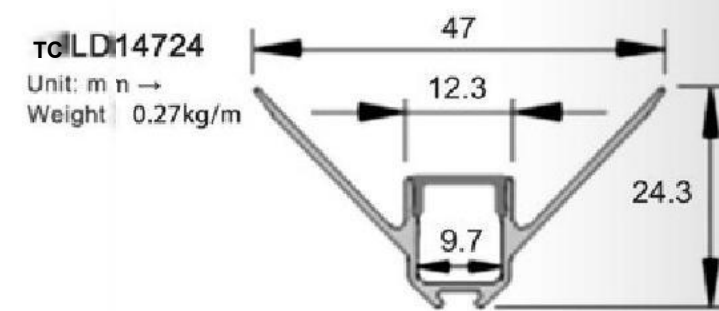
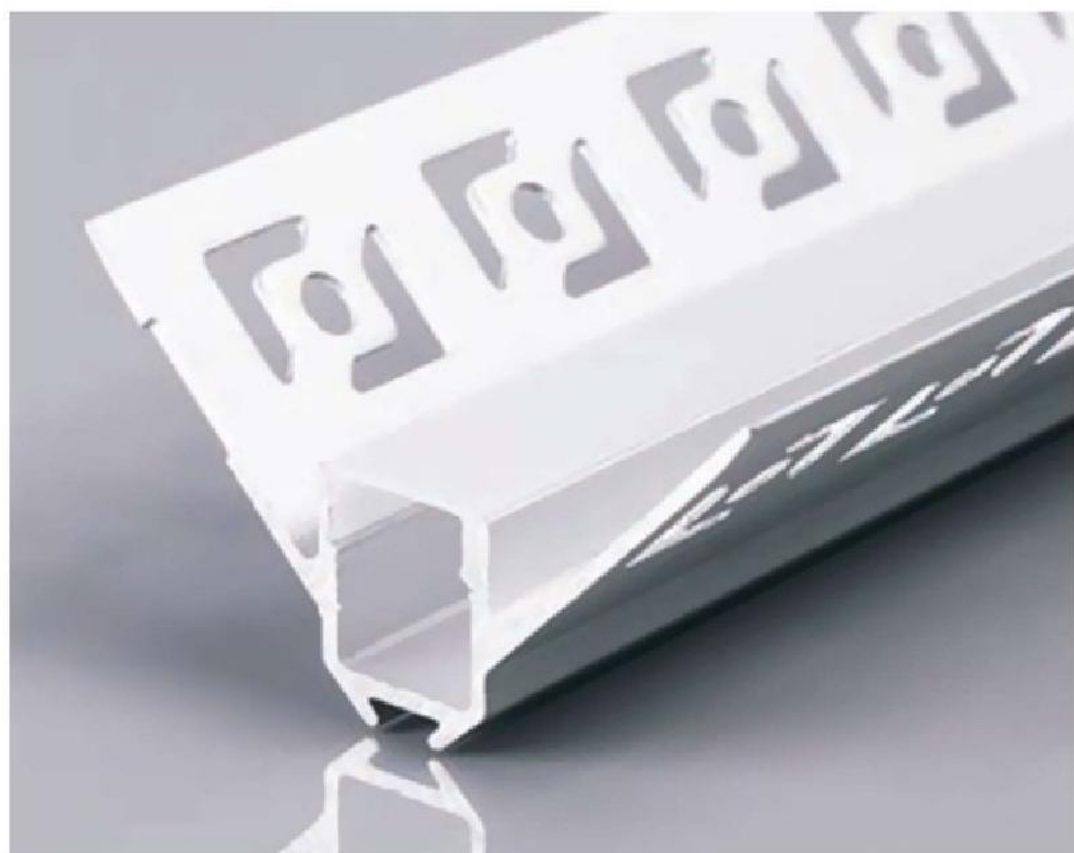
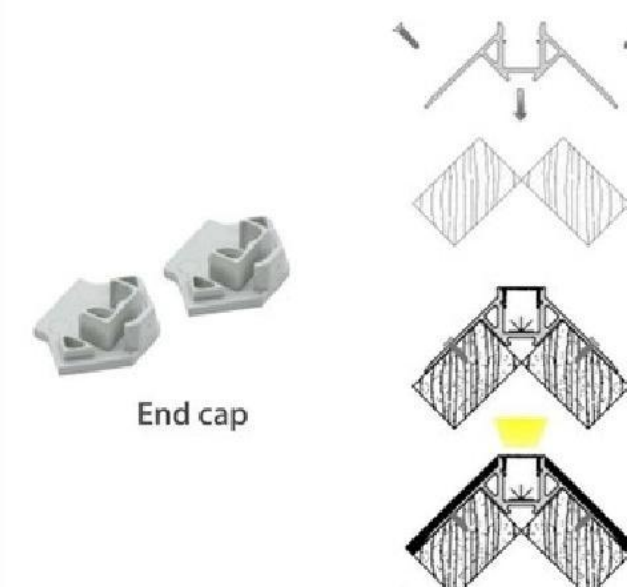
# Internal corner



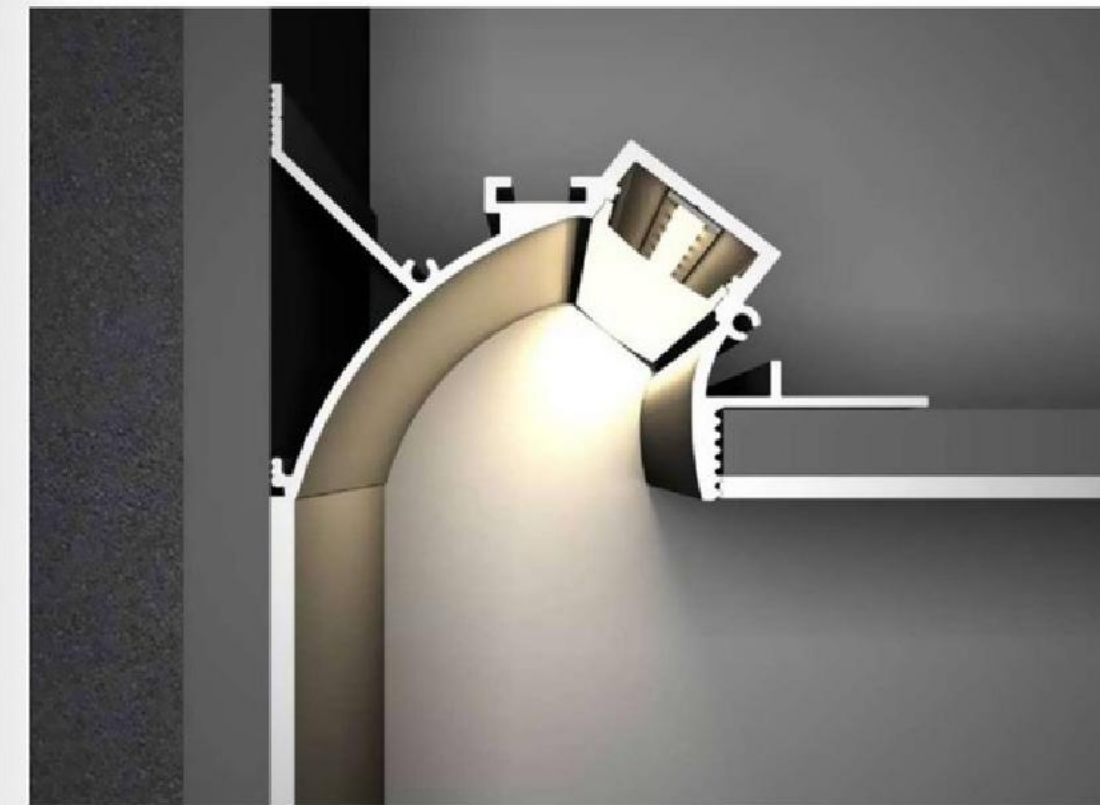
Installation step



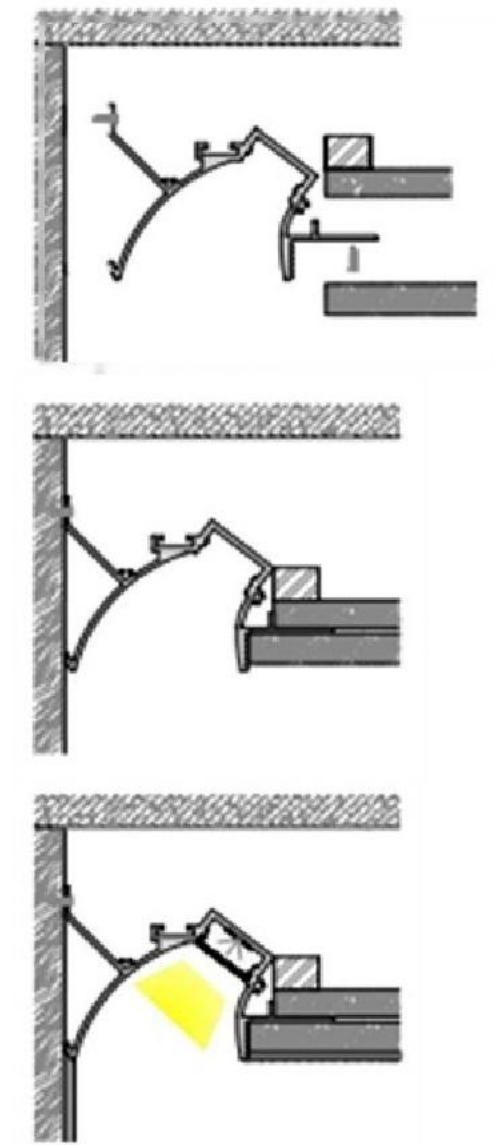
Installation step



# Wall washer light



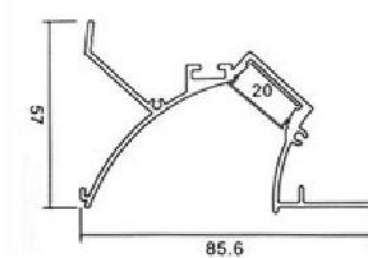
## Installation step



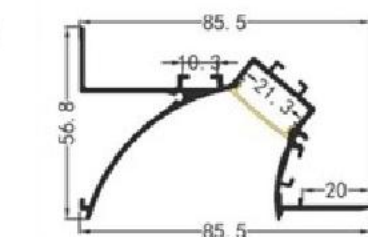
## Accessories

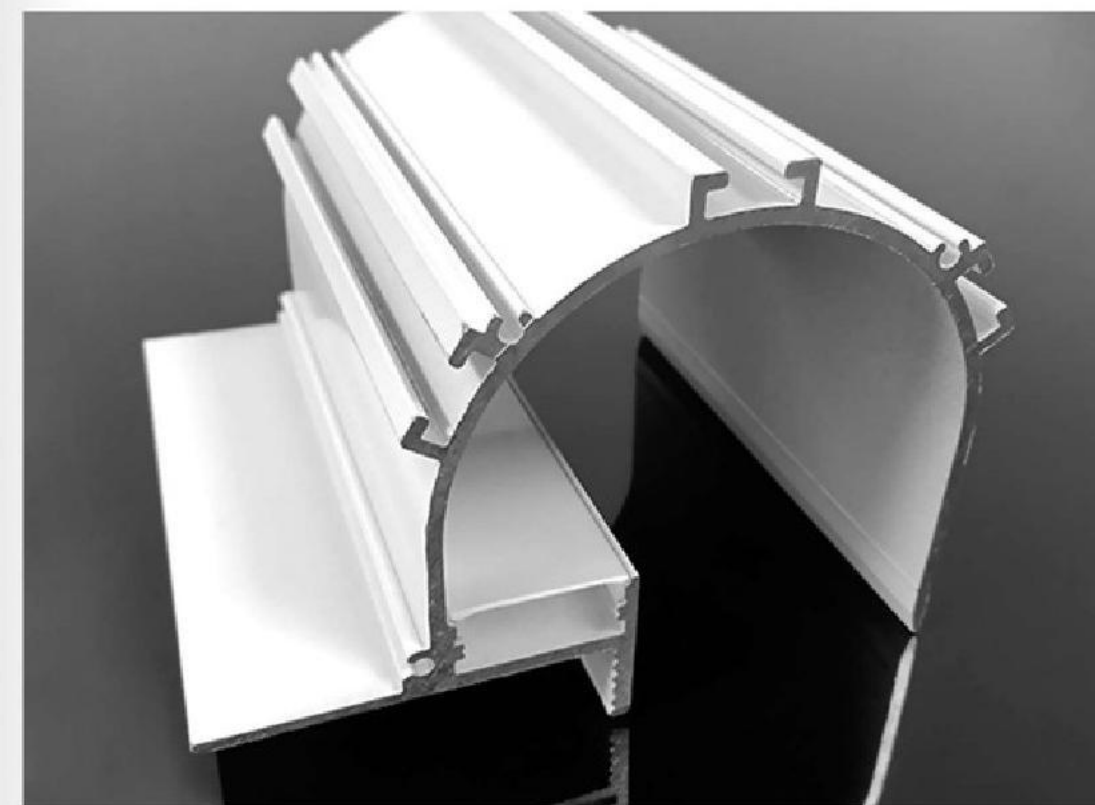


TCL\_D8657  
Unit: mm →

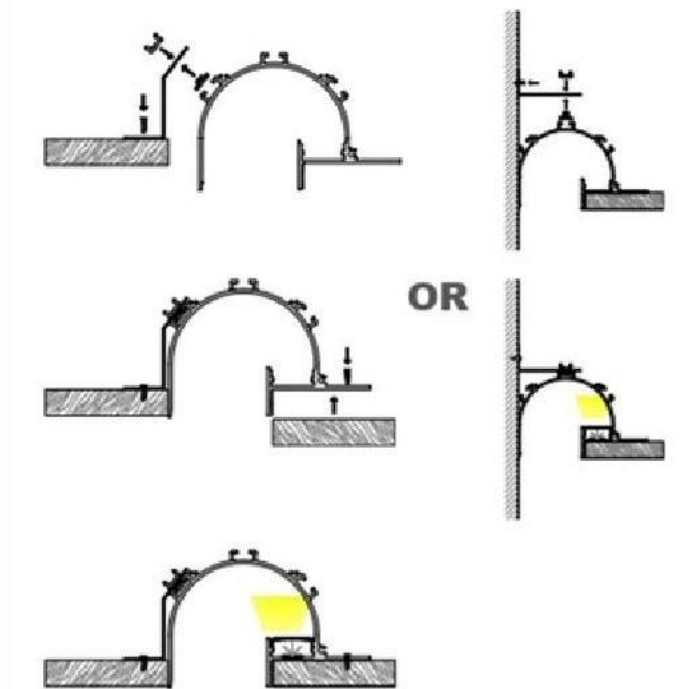


TCL\_D86571  
Unit: mm →





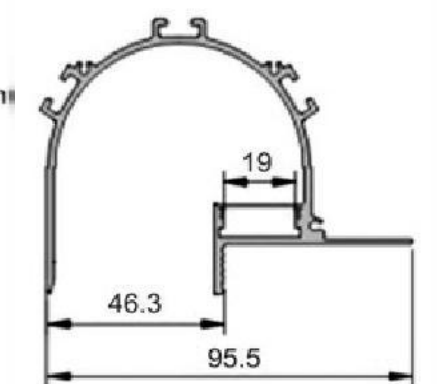
Installation step



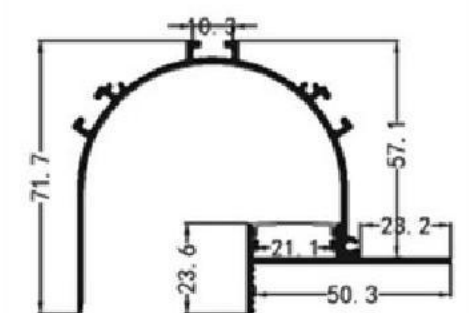
Accessories



**TCLD9670**  
Jnit:mm  
Weight: 1.4kg



**TCLD10372**  
Unit: mm



# Office

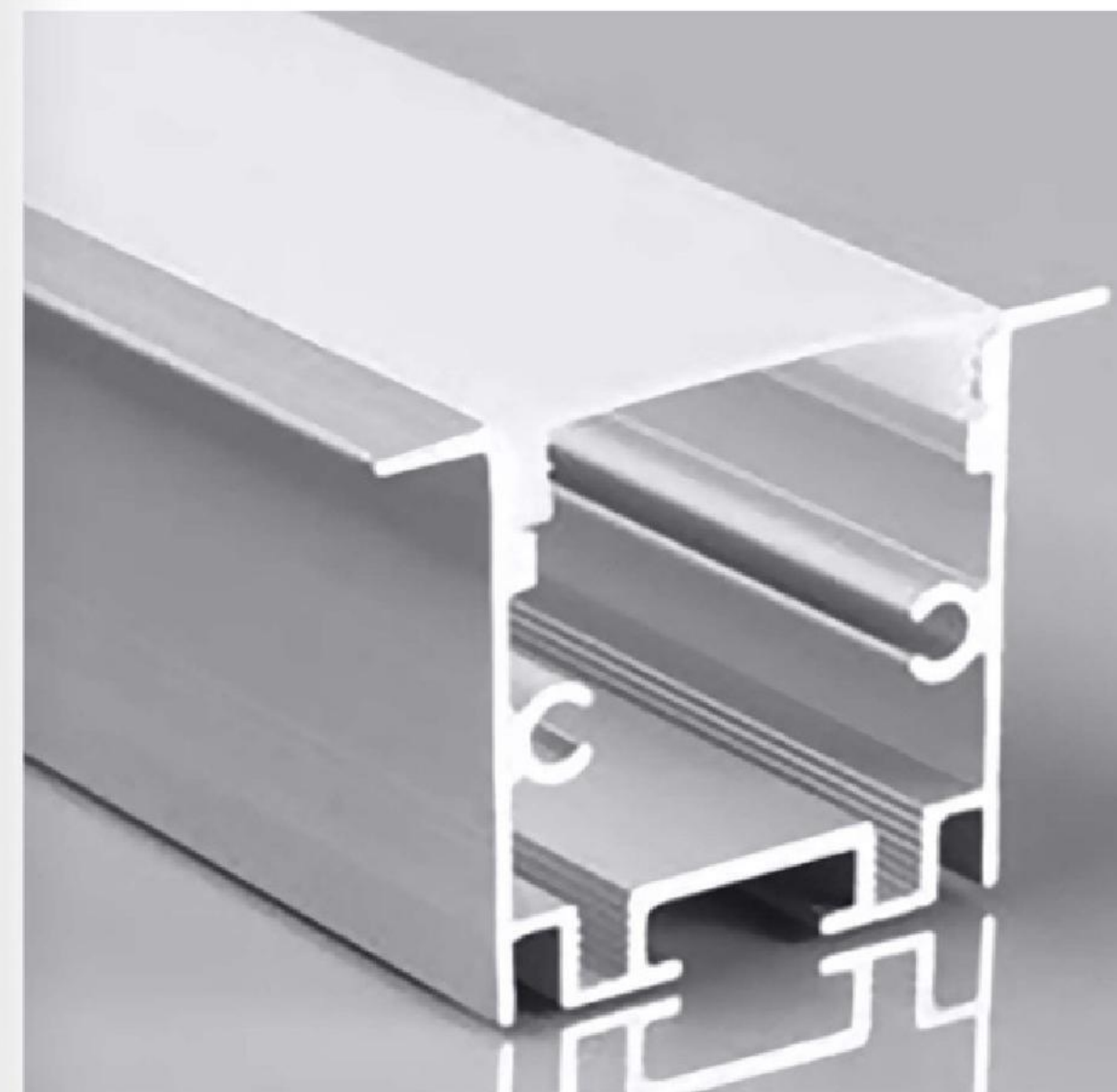
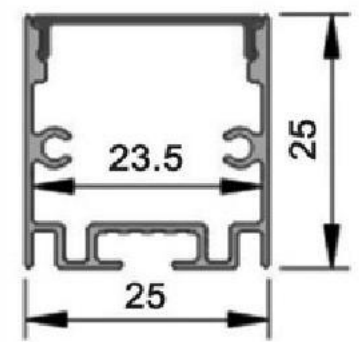
Lighting Line



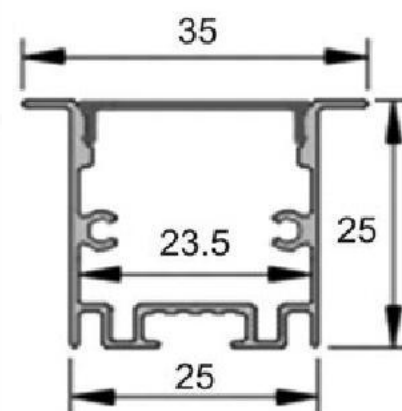
# Width of 25-35mm



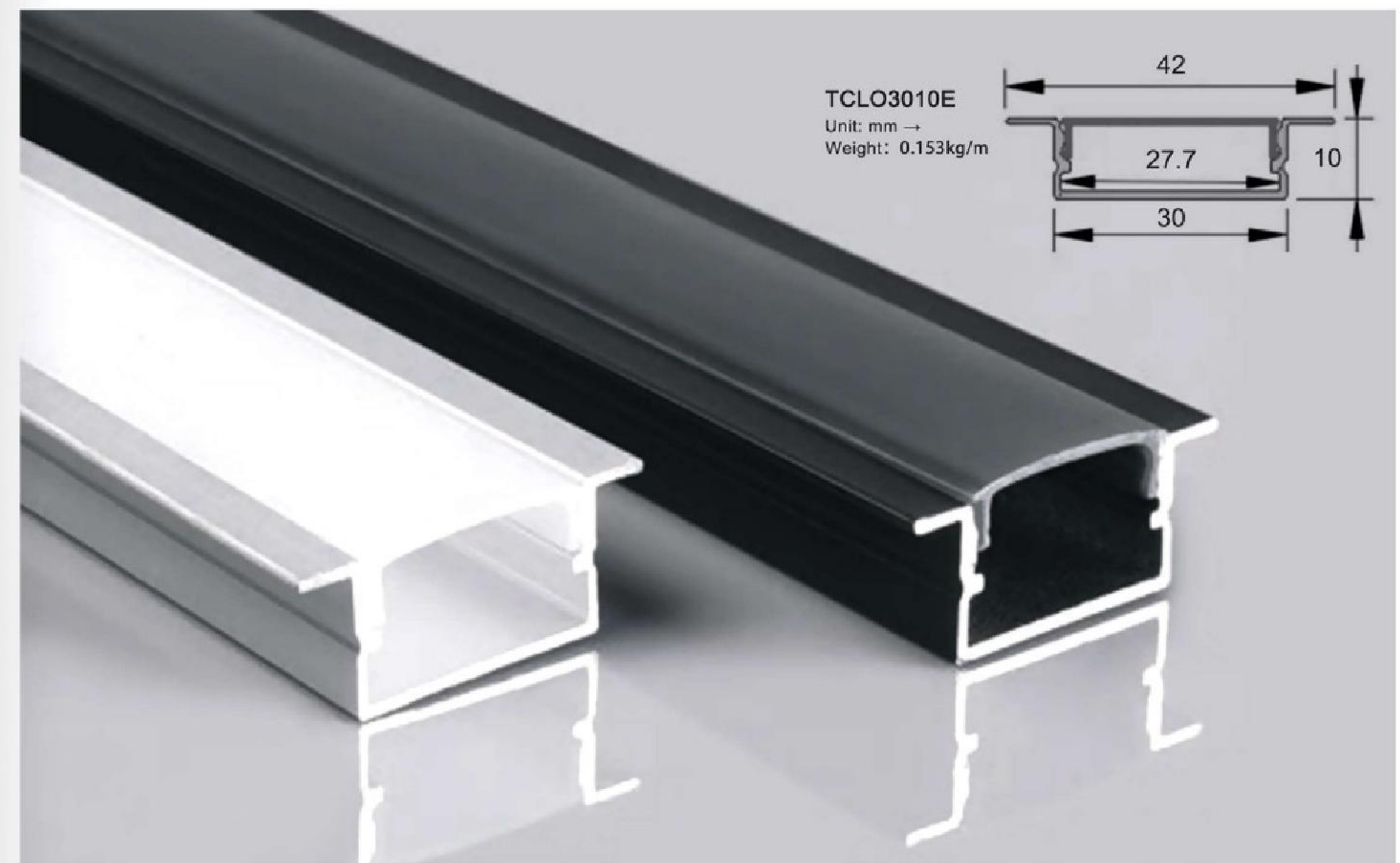
TCLO2525  
Unit: mm →  
Weight: 0.253kg/m



TCLO2525E  
Unit: mm →  
Weight: 0.271kg/m



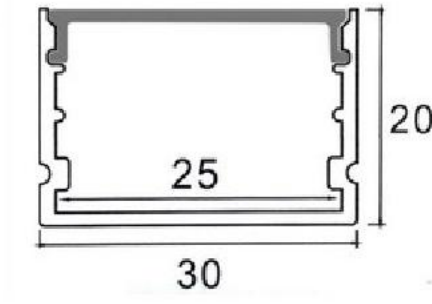
# Width of 25-35mm



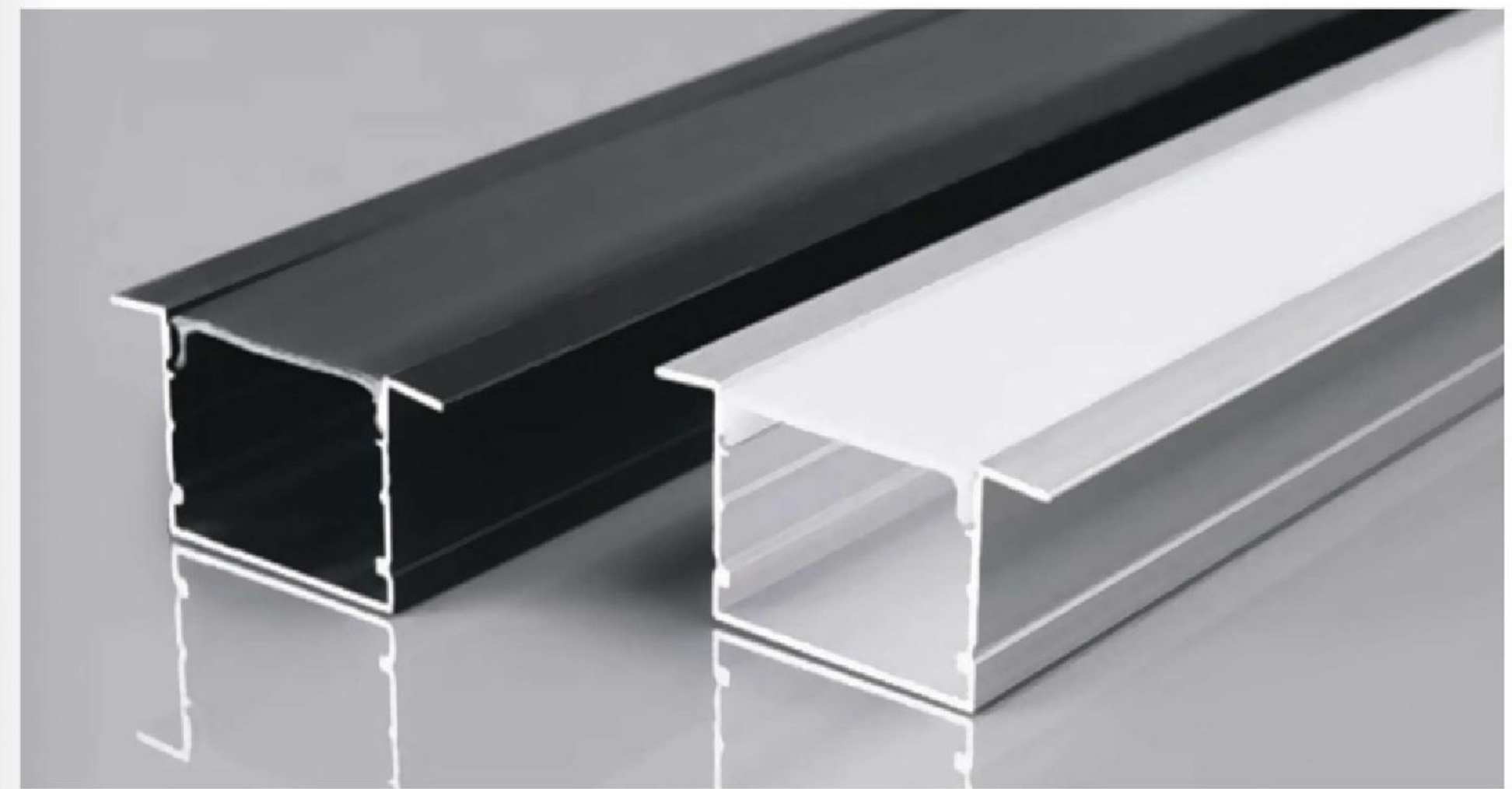
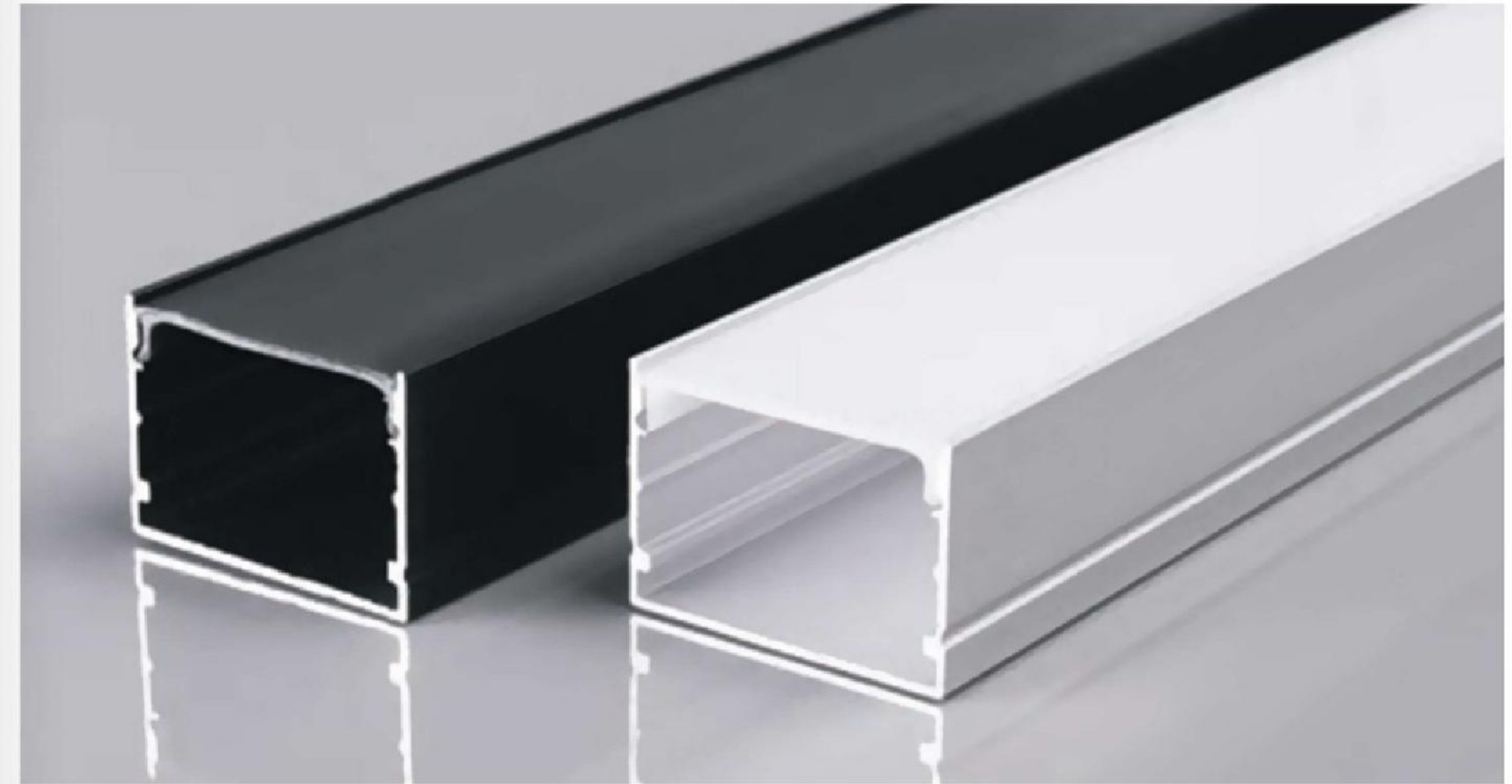
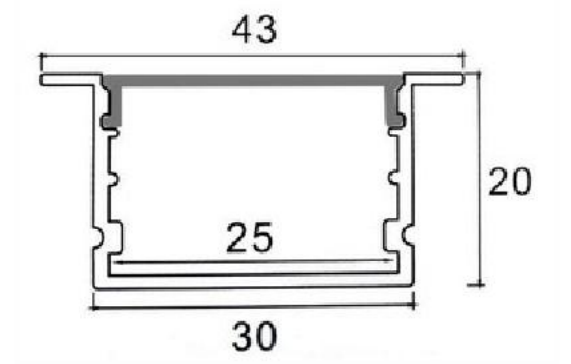
# Width of 25-35mm



TCLO3020  
Unit:mm →

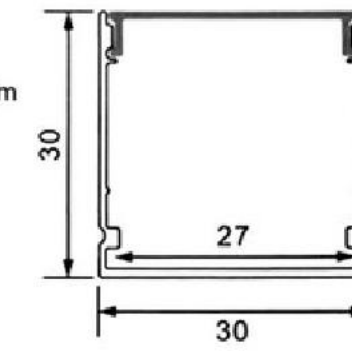


TCLO3020E  
Unit: mm →

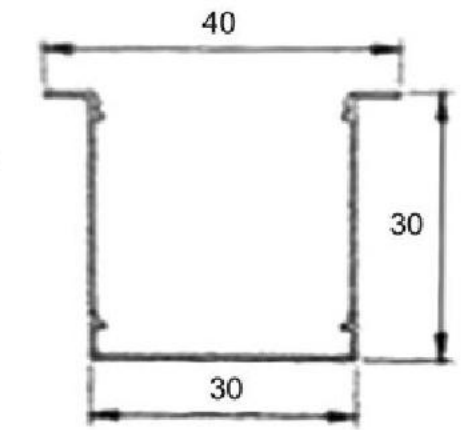




**TCLO3030**  
Unit: mm →  
Weight: 0.232kg/m



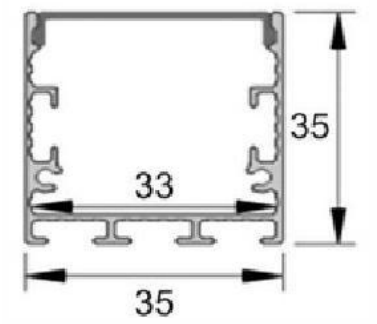
**TCLO3030E**  
Unit: mm →  
Weight: 0.147kg/m



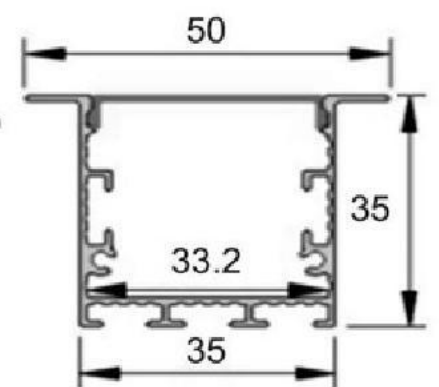
# Width of 25-35mm

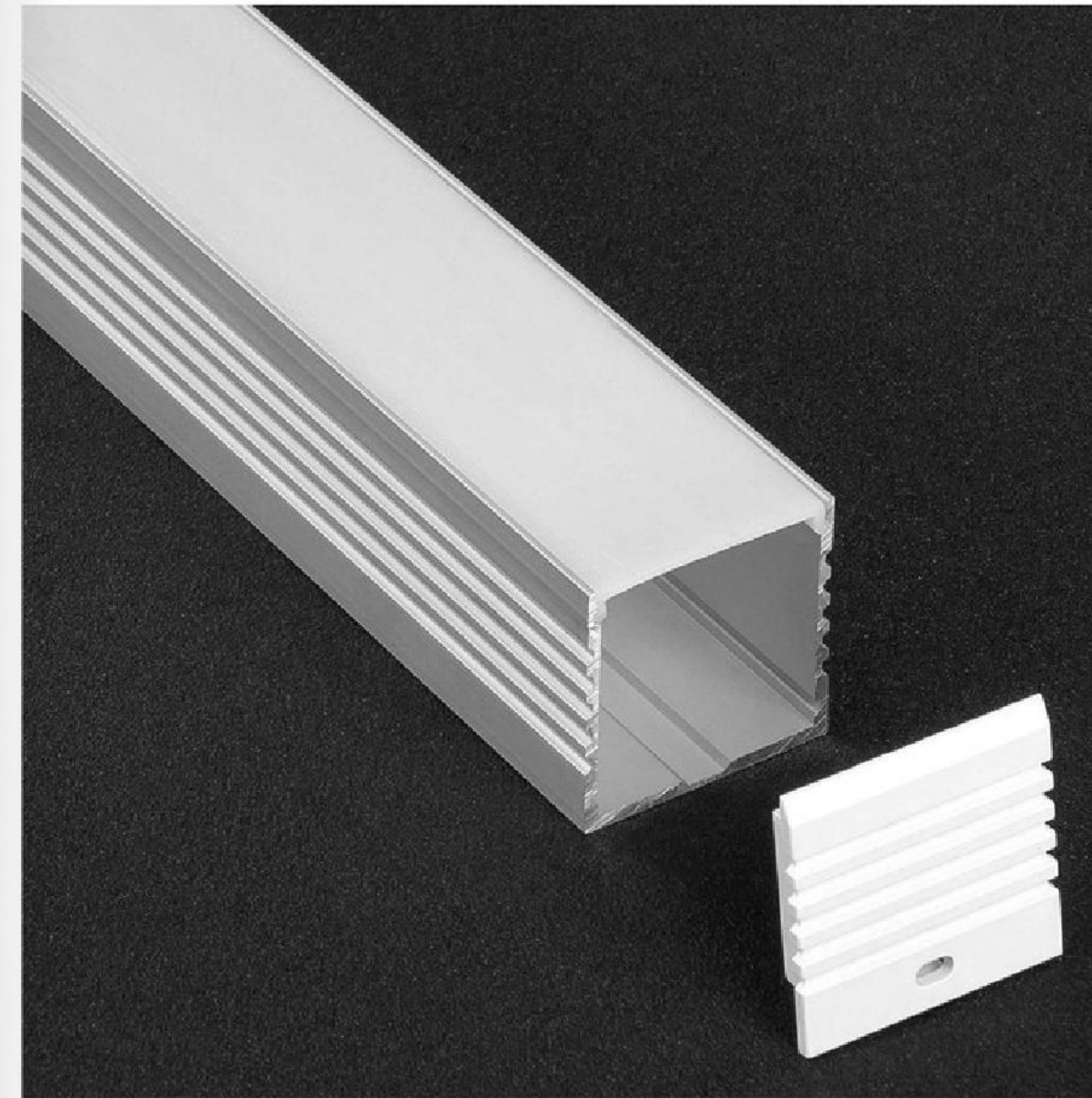


**TCL-C 3535**  
Unit: mm →  
Weight: 0.4kg/m

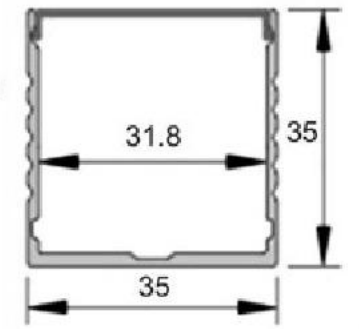


**TCLO3 535F E**  
Unit: mm →  
Weight: 0.476kg/m

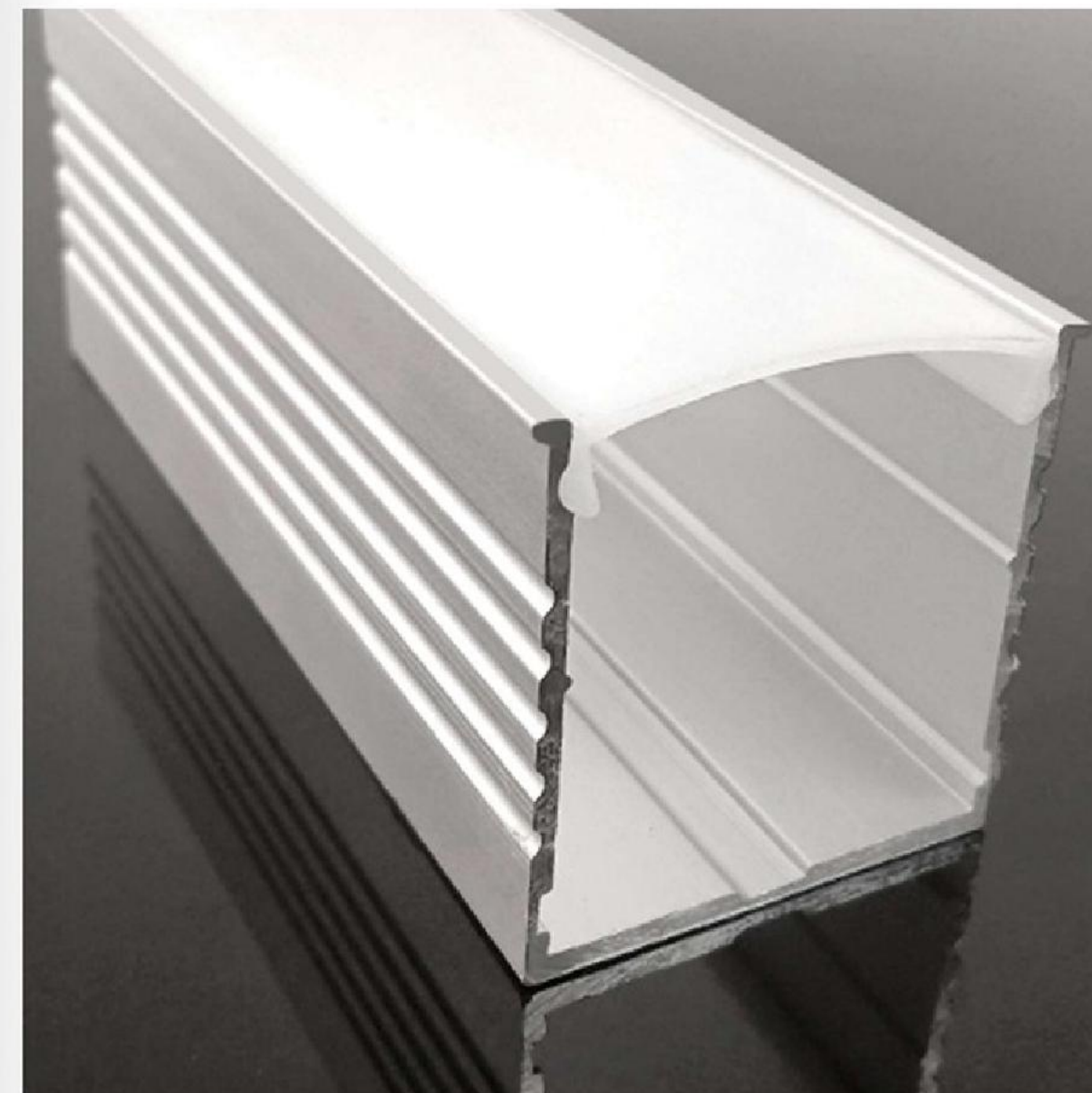
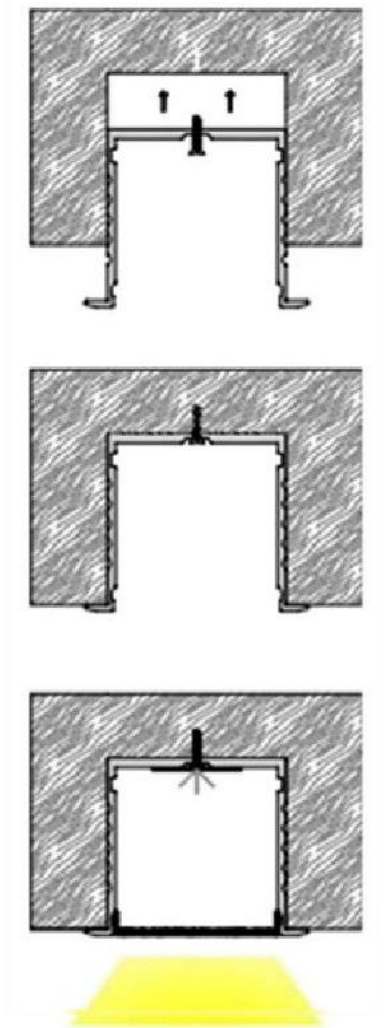




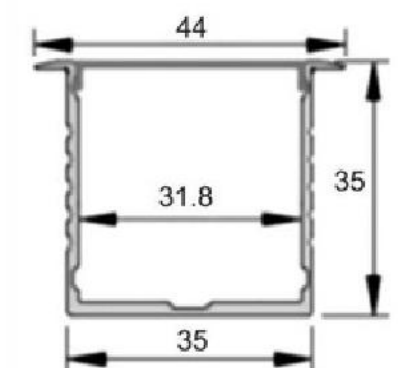
**TCLO35351**  
Unit: mm →  
Weight: 0.389kg /m



Installation step



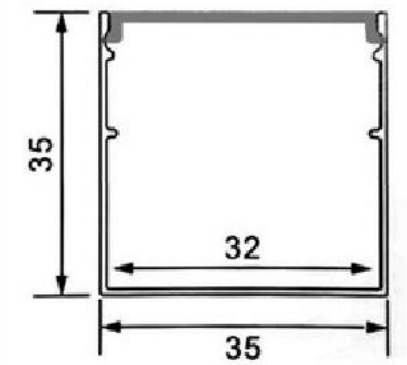
**TCI.O3535E1**  
Unit: mm →  
Weight: 0.41kg/m



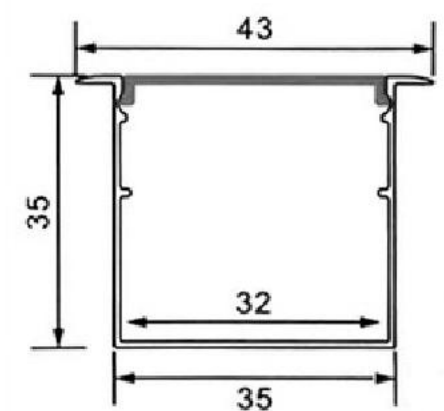
# Width of 25-35mm



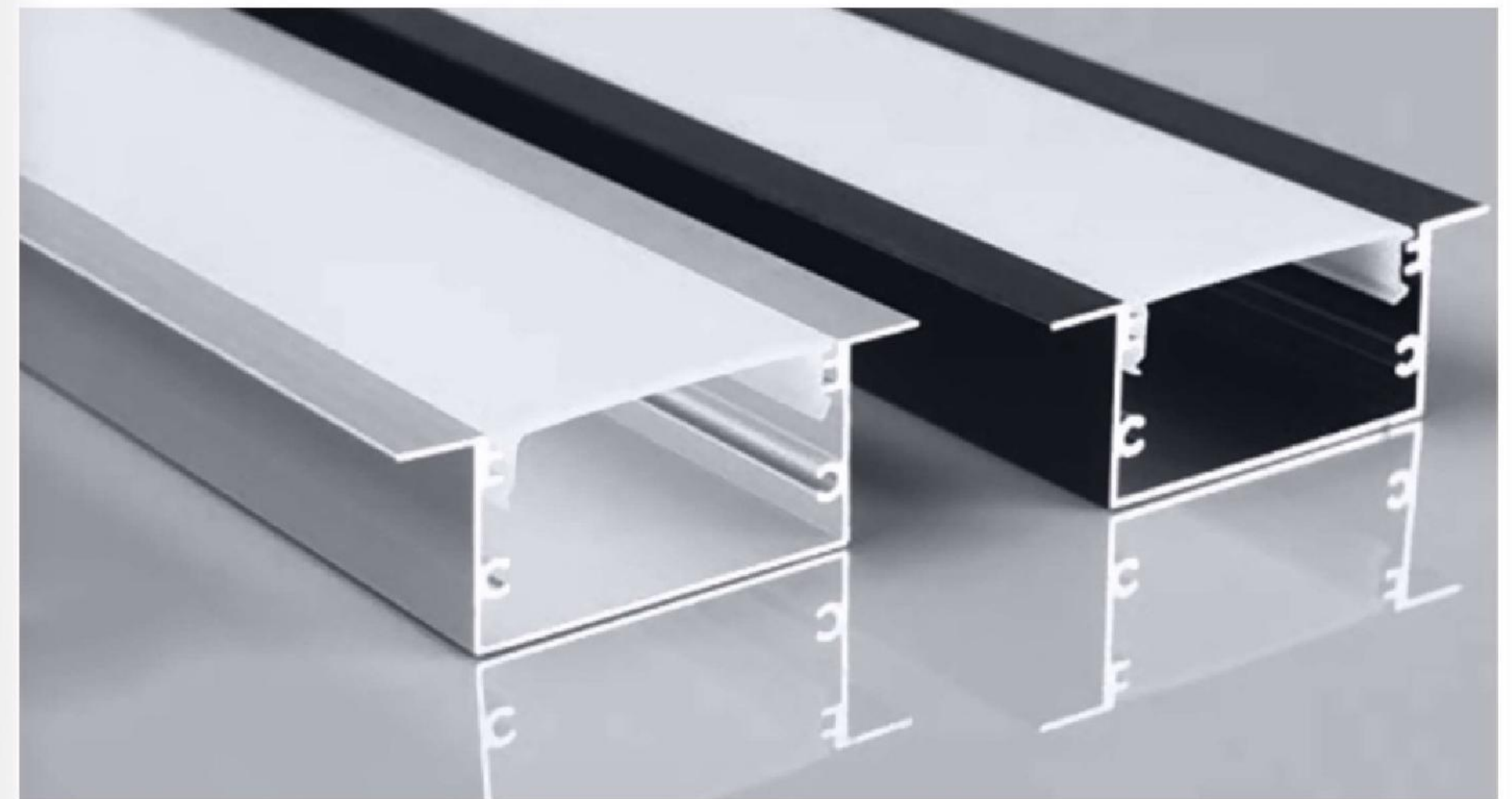
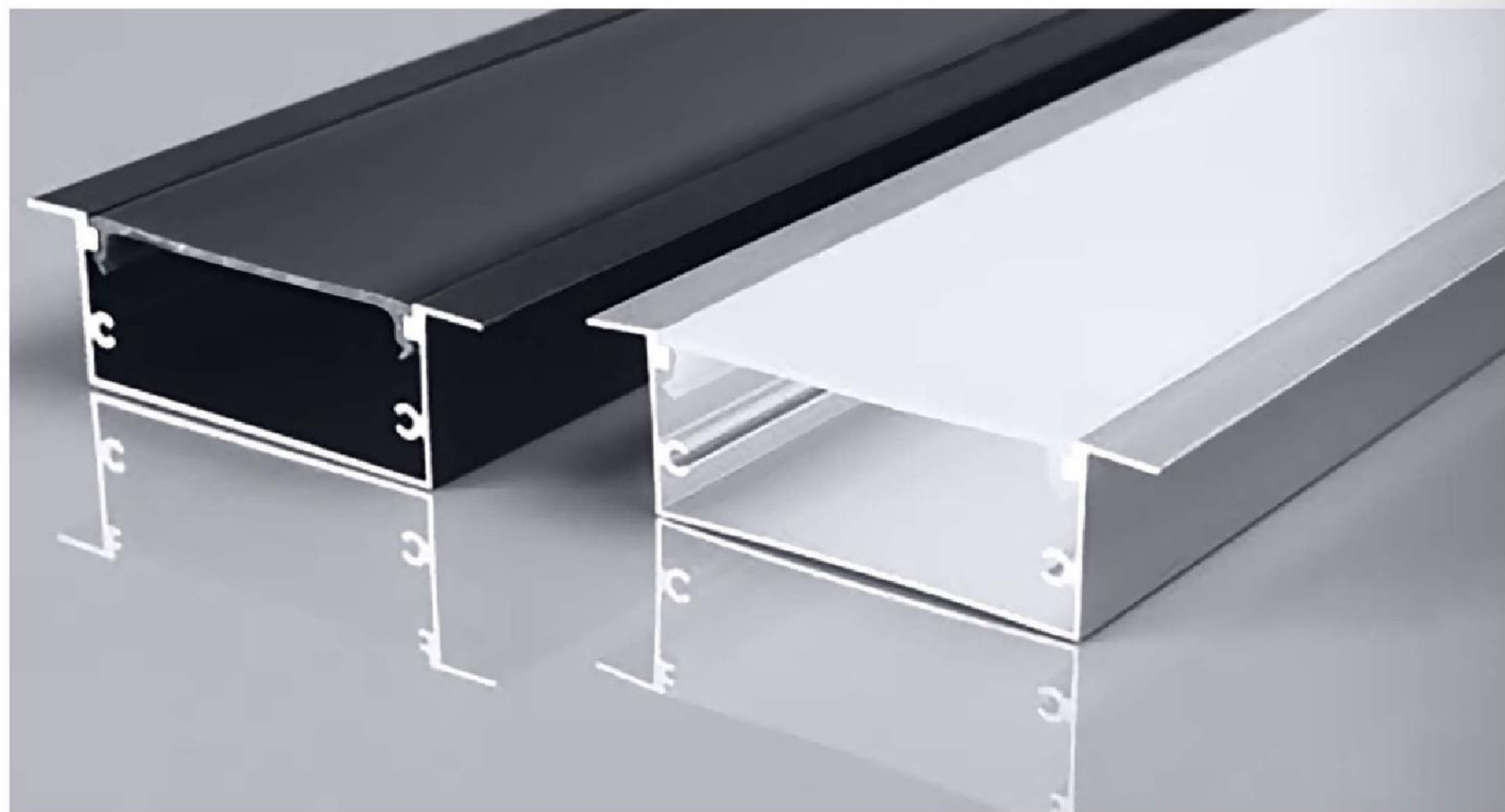
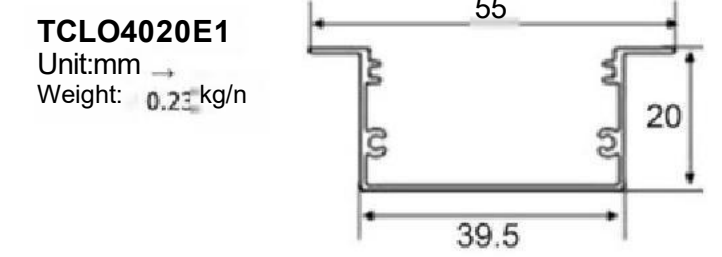
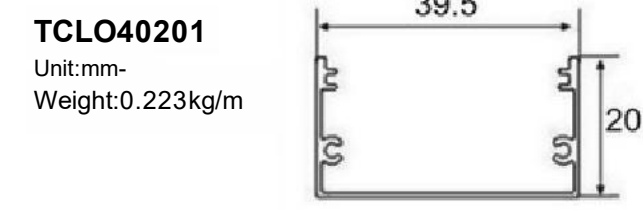
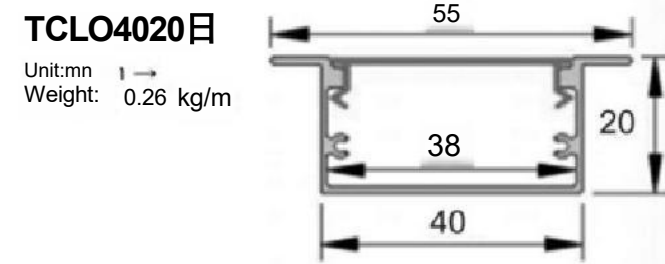
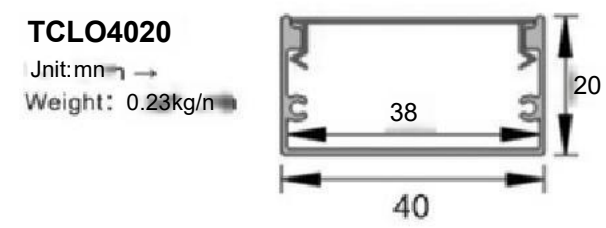
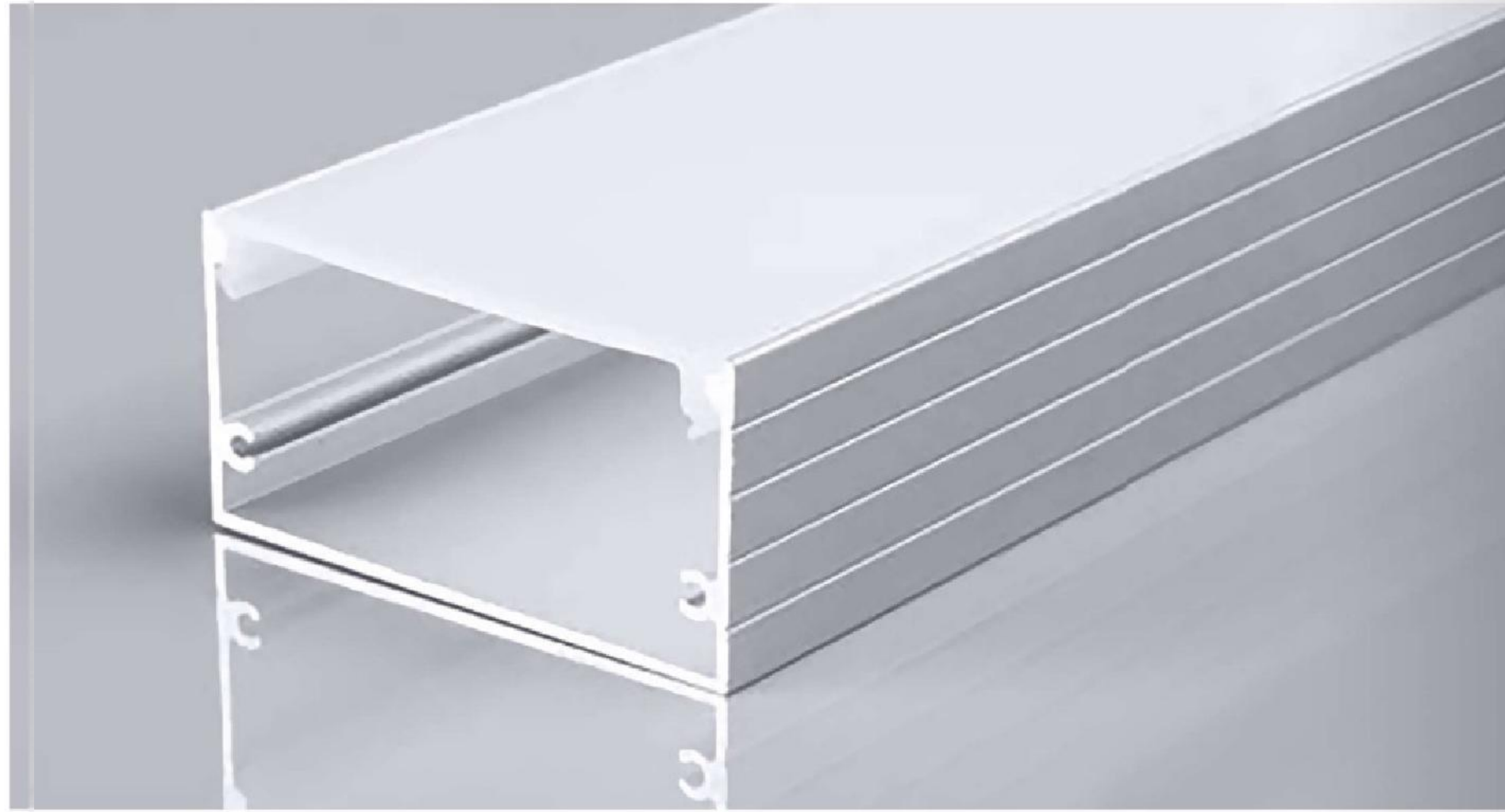
**TCLO35352**  
Unit: mm →



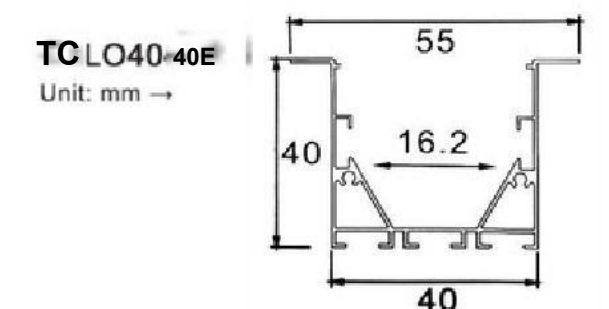
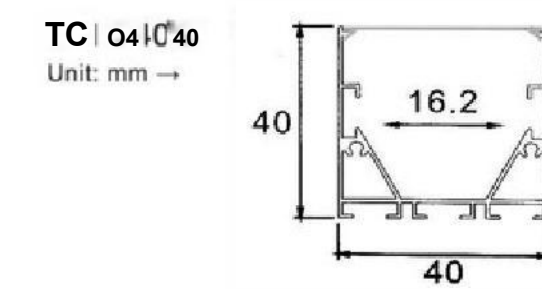
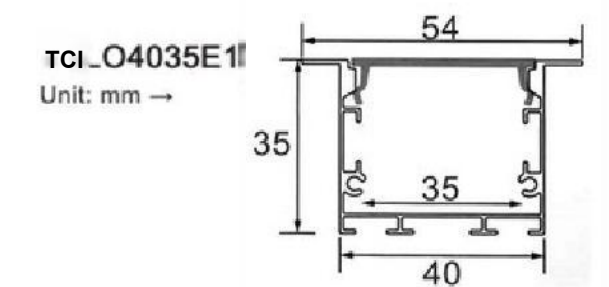
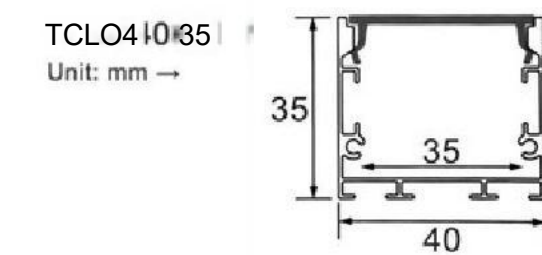
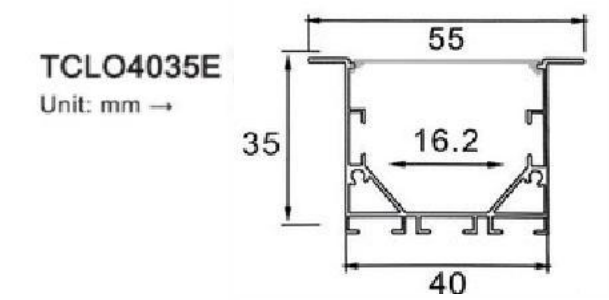
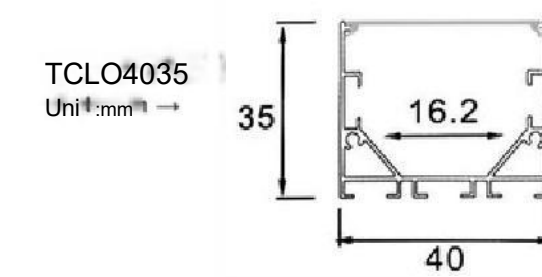
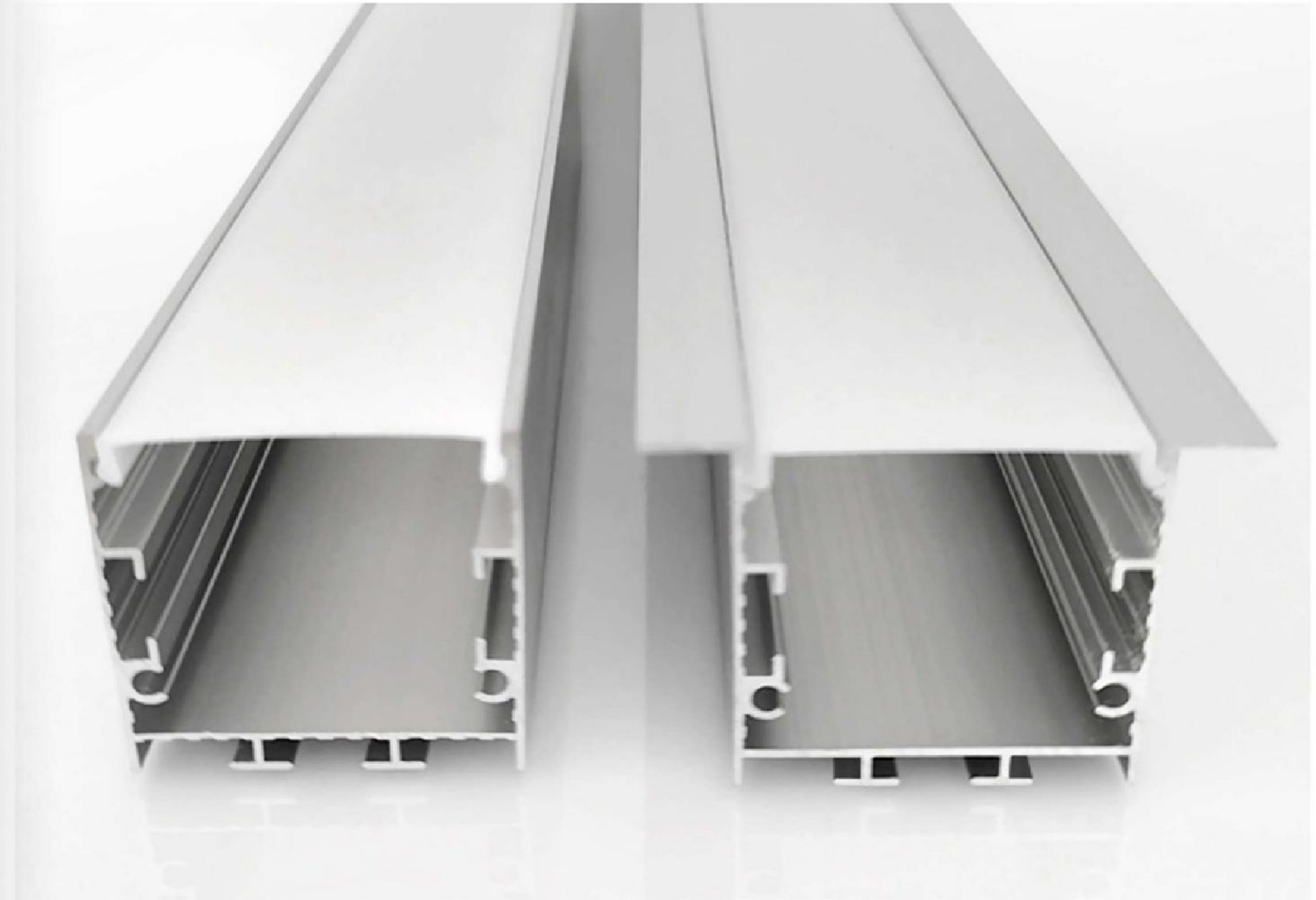
**TCLO3535E2**  
Unit: mm →



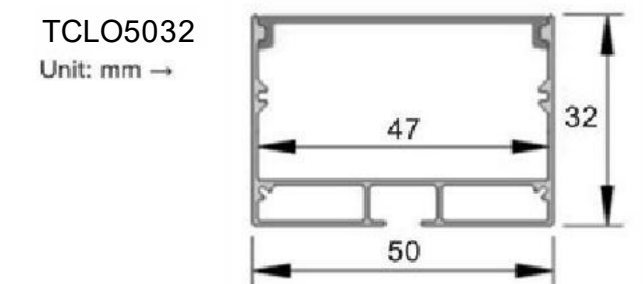
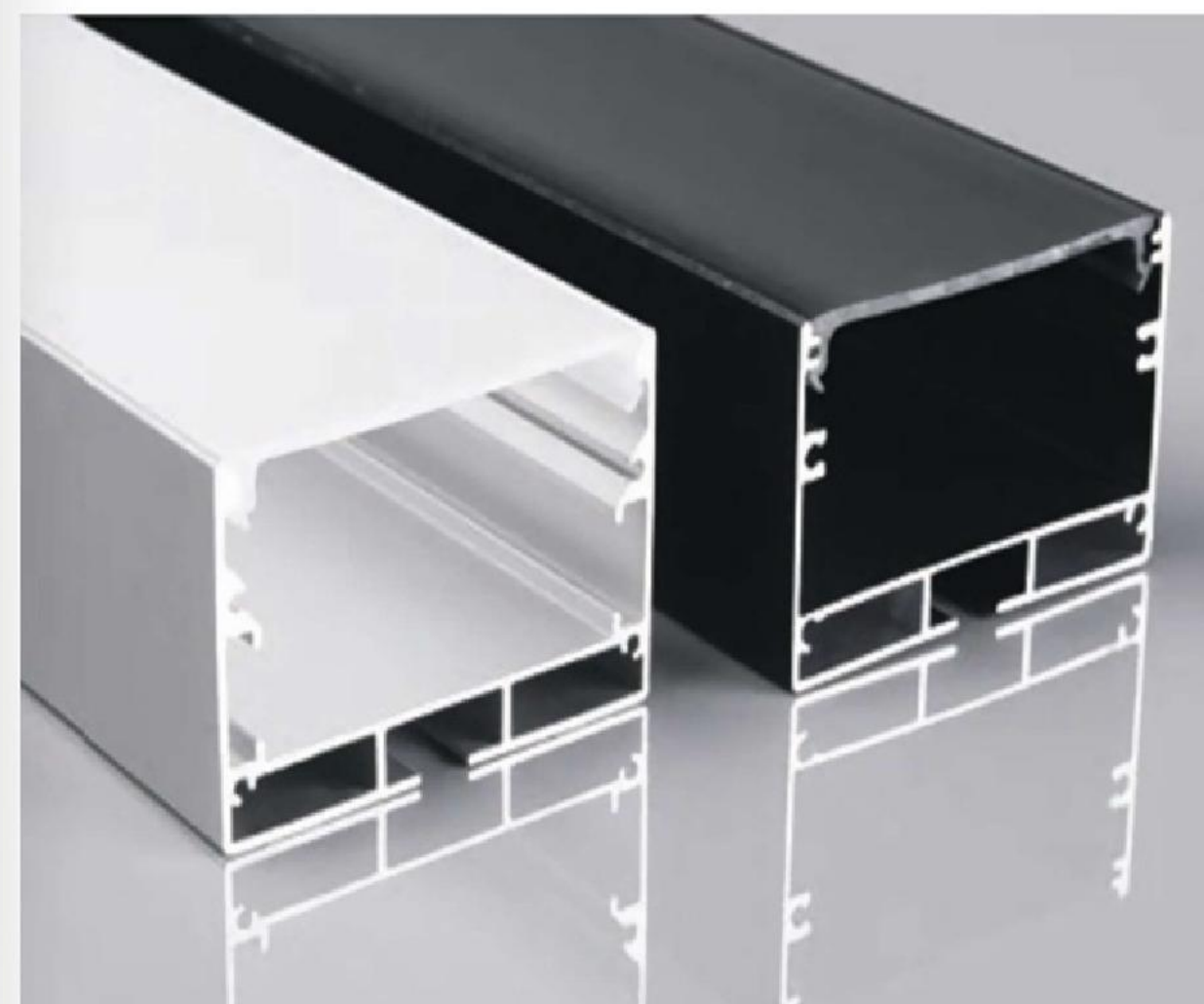
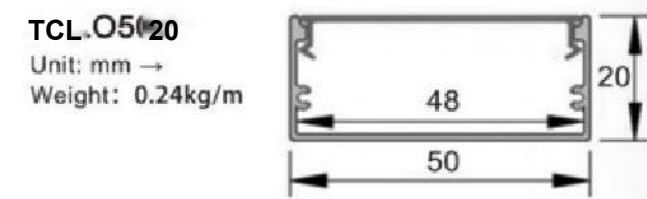
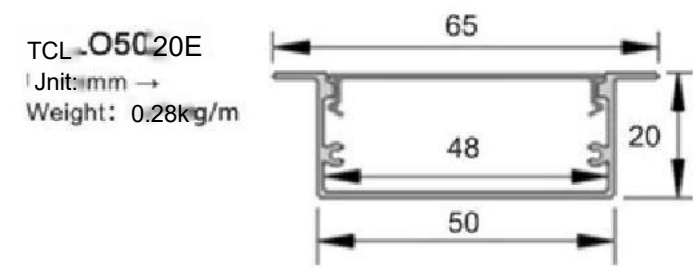
# Width of 40mm



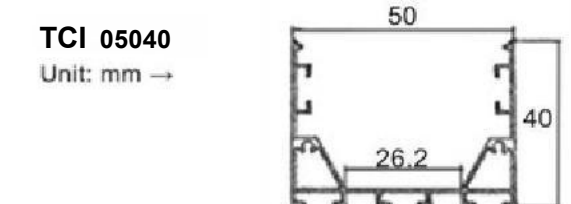
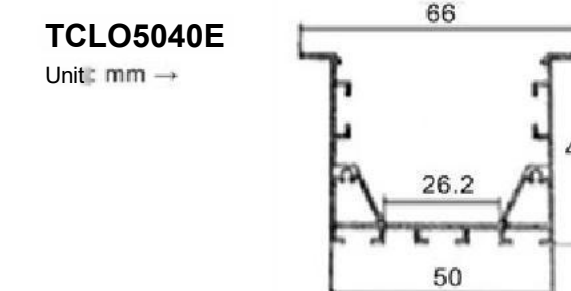
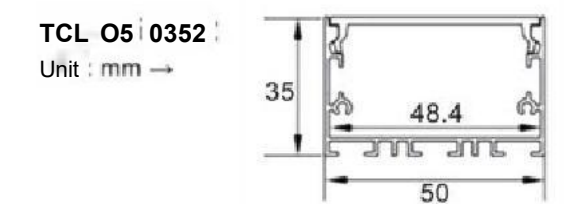
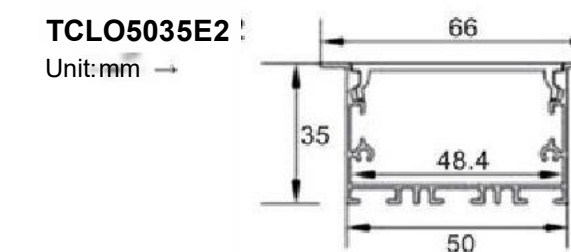
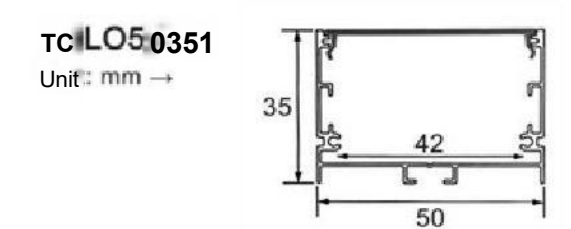
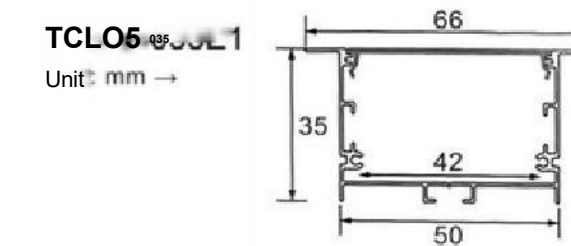
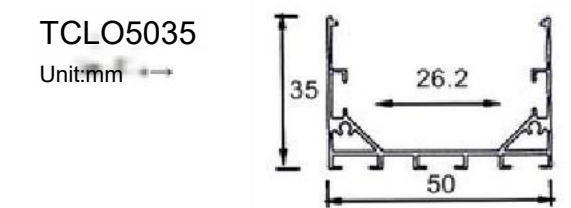
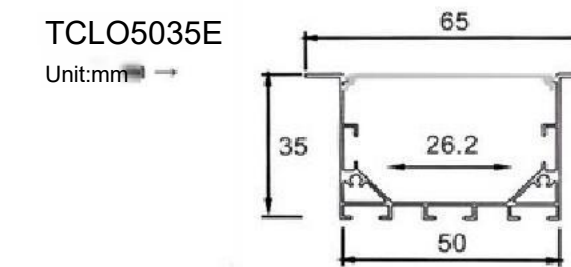
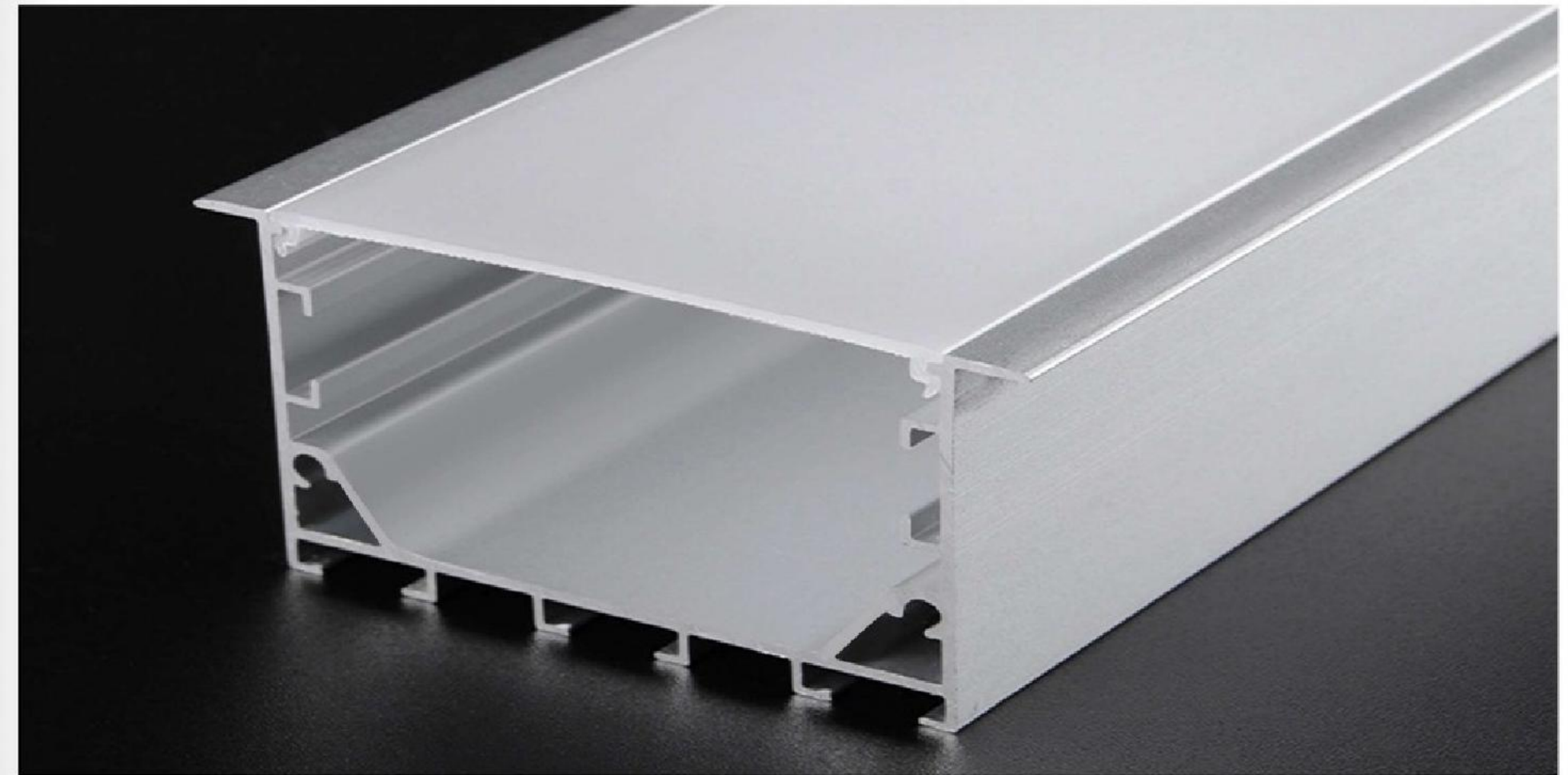
# Width of 40mm

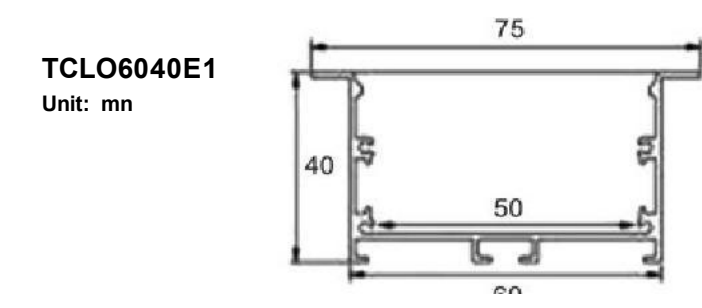
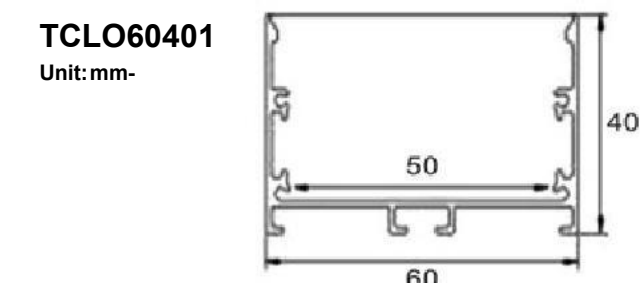
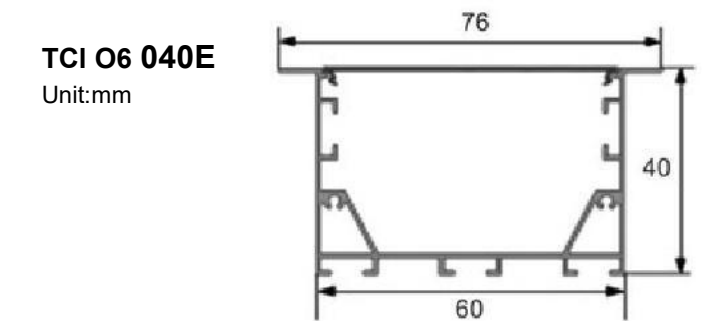
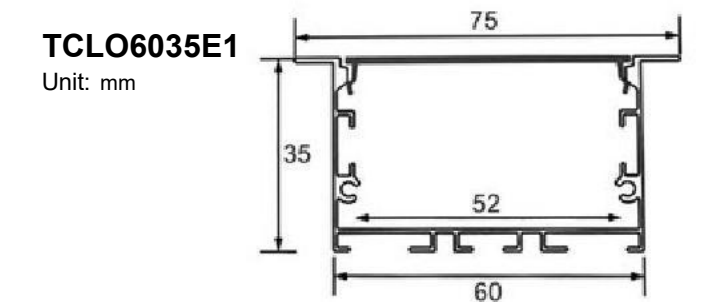
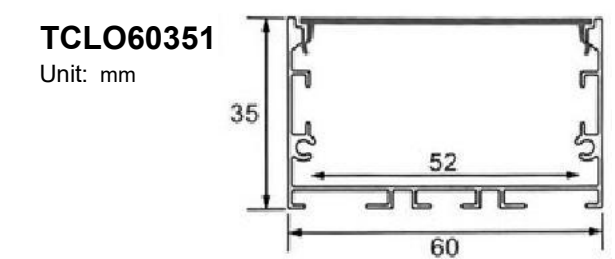
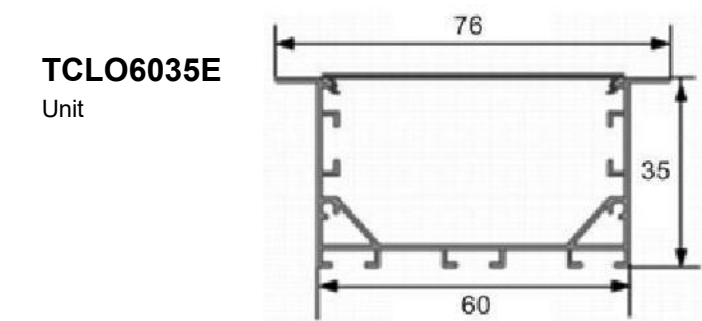
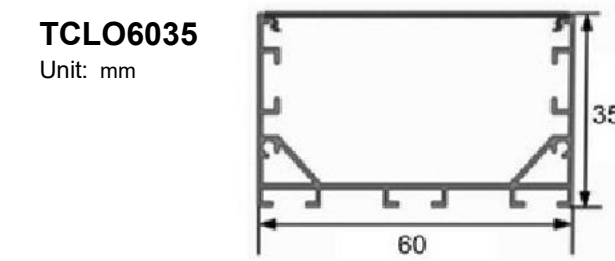
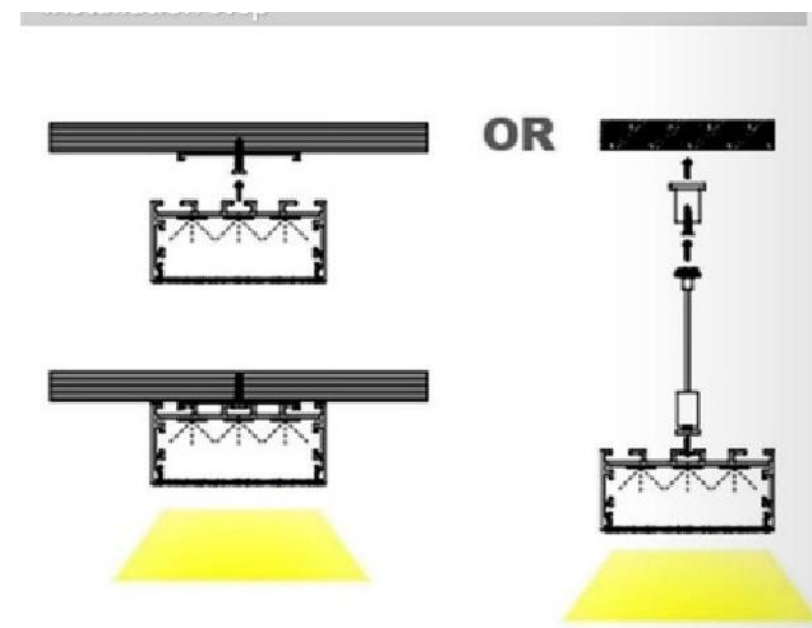


# Width of 50mm



# Width of 50mm

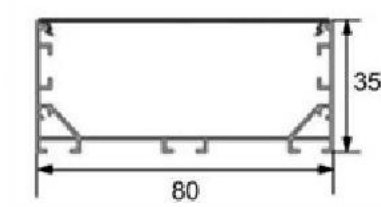




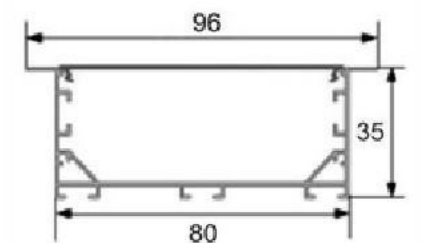
# Width of 75-80mm



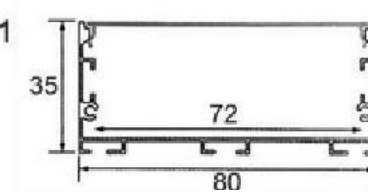
**TCLO8035**  
Unit: mm →



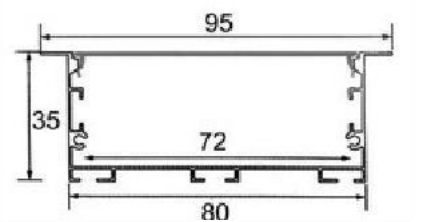
**TCLO8035E**  
Unit: mm →



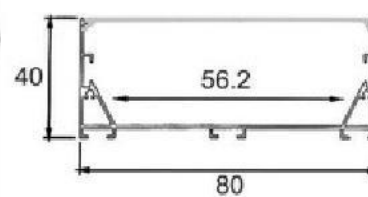
**TCLO80351**  
Unit: mm →



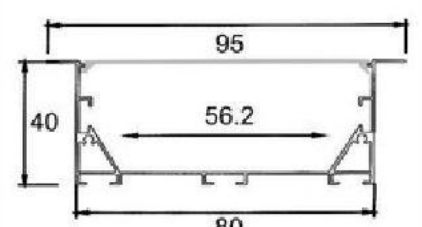
**TCLO8035E1**  
Unit: mm →



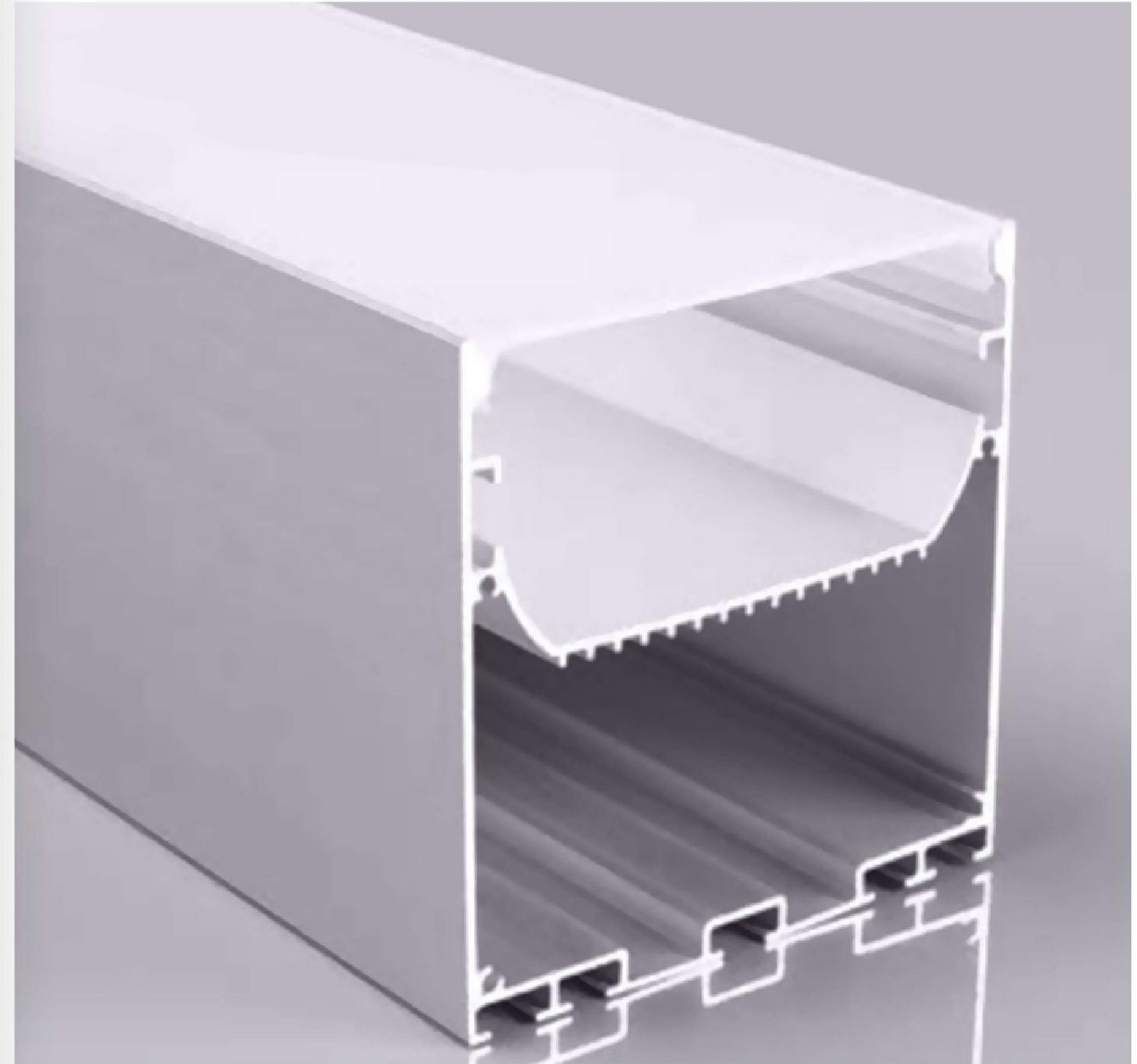
**TCLO8040**  
Unit: mm →



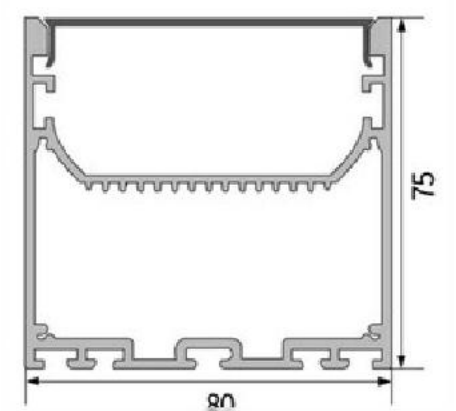
**TCLO8040E**  
Unit: mm →



# Width of 75-80mm

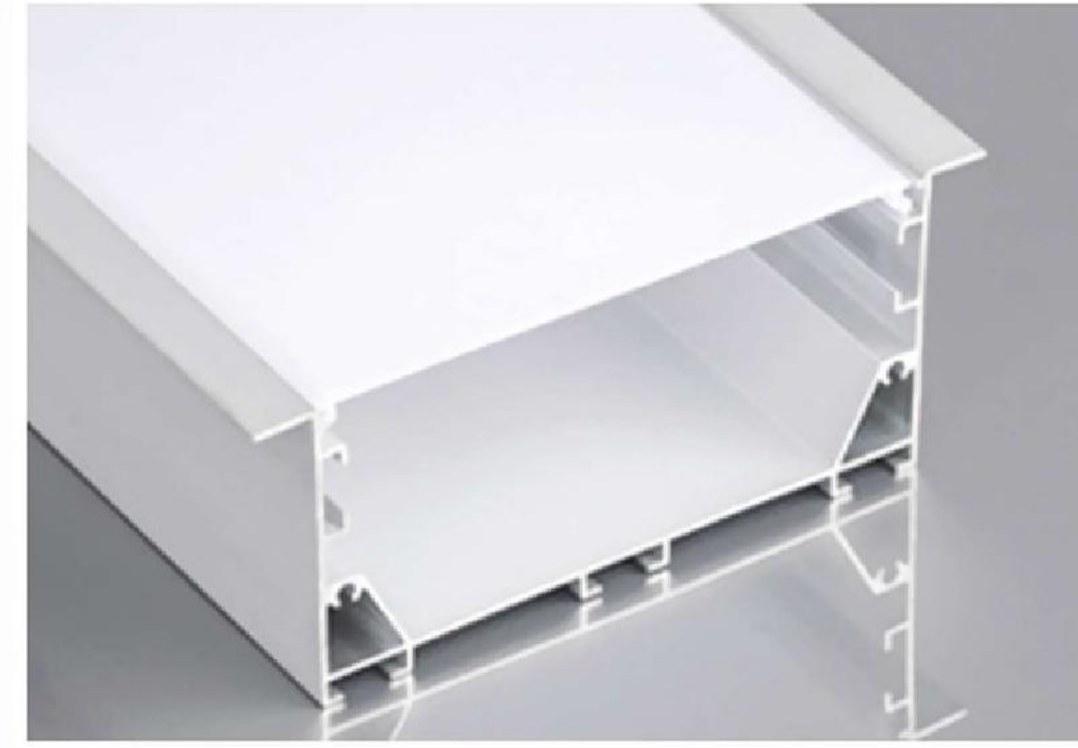
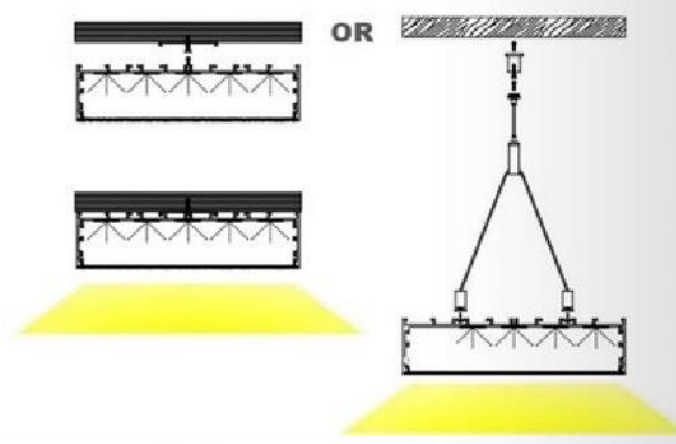


**TCLO8075**  
Unit:mm →

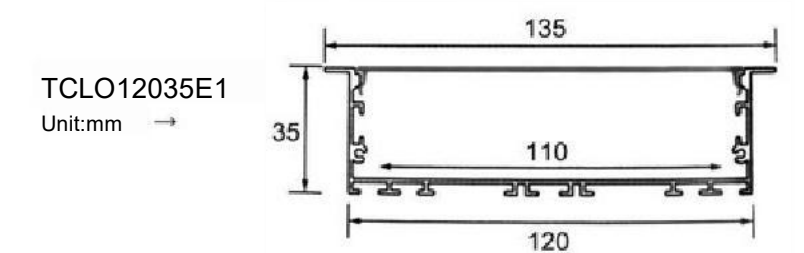
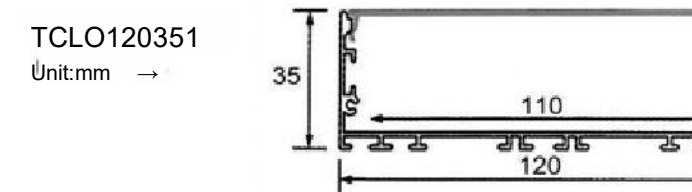
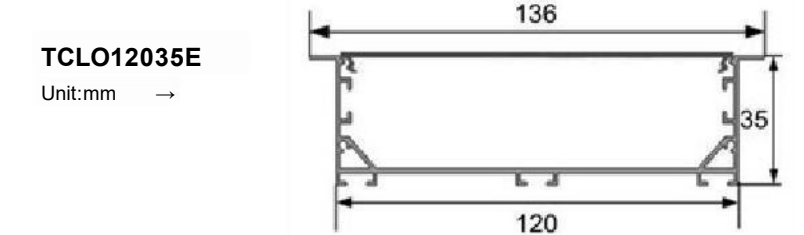
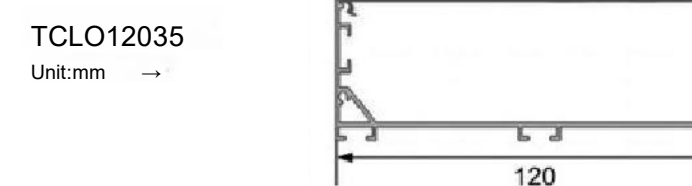
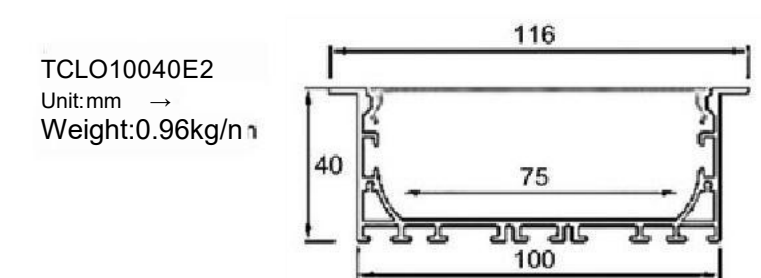
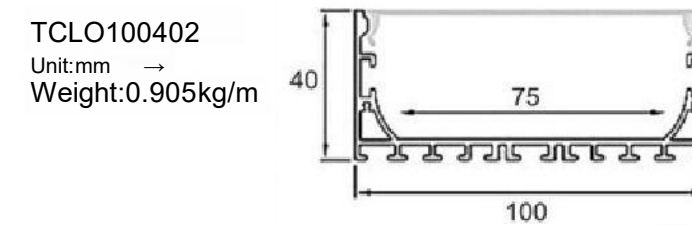
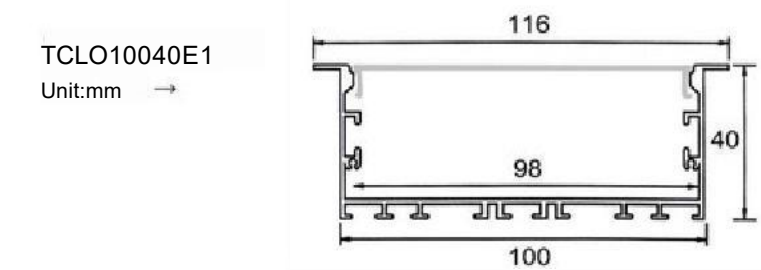
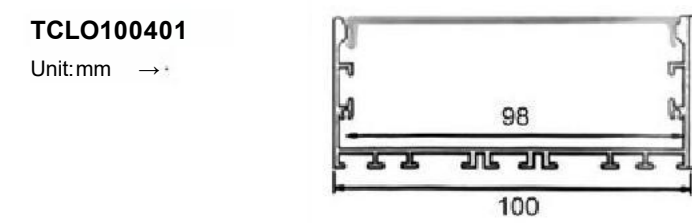
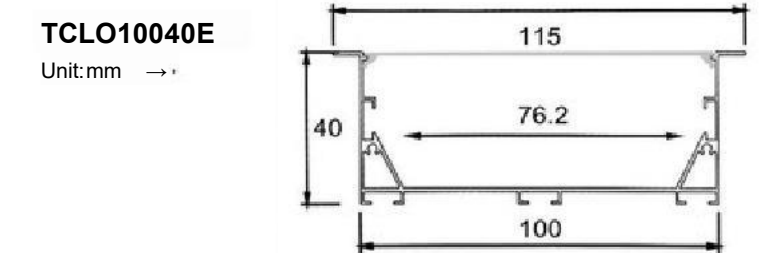
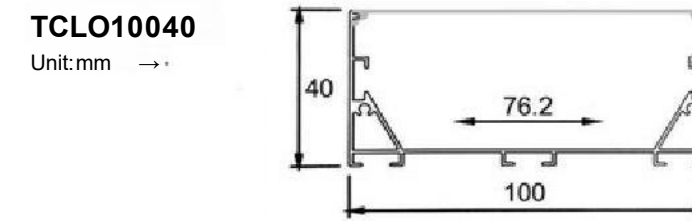
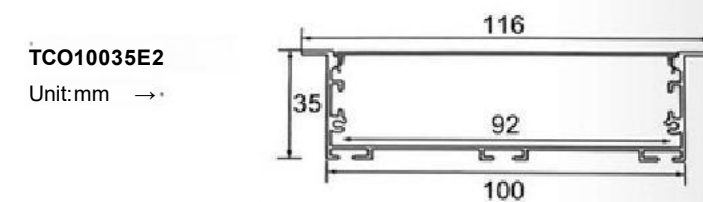
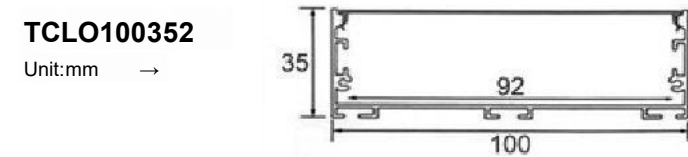
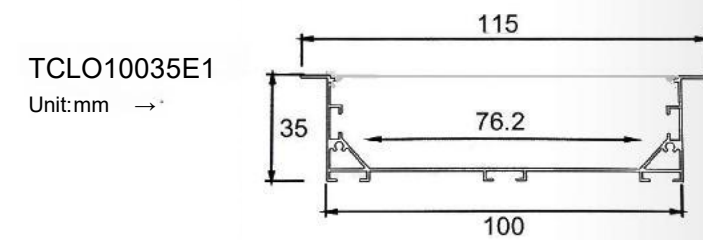
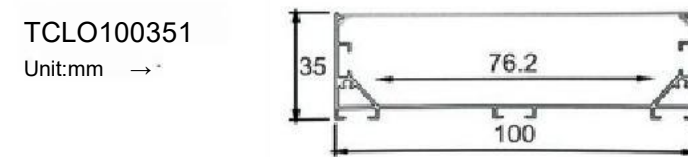
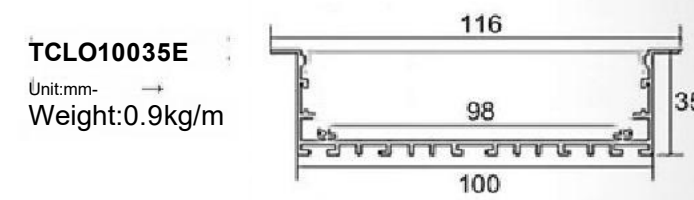
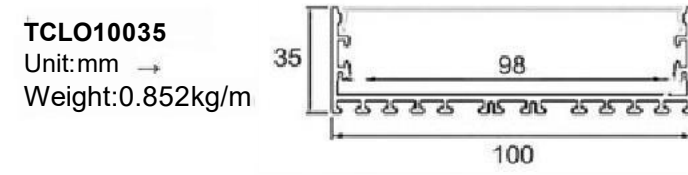
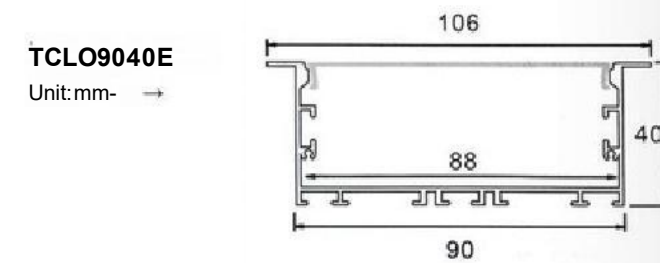
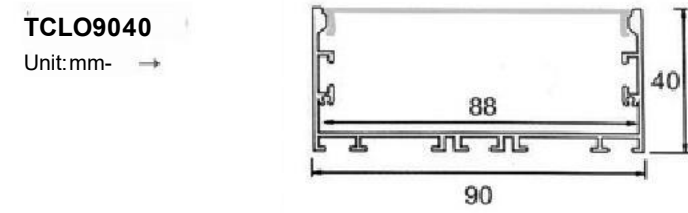
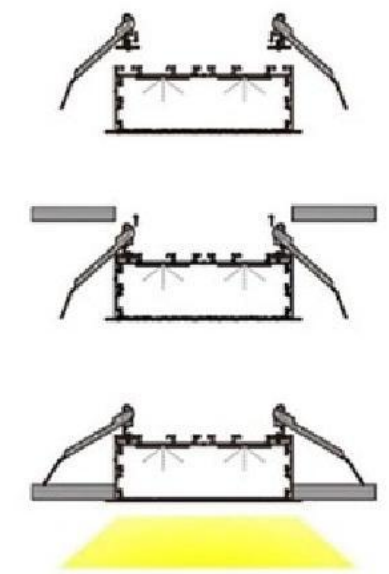


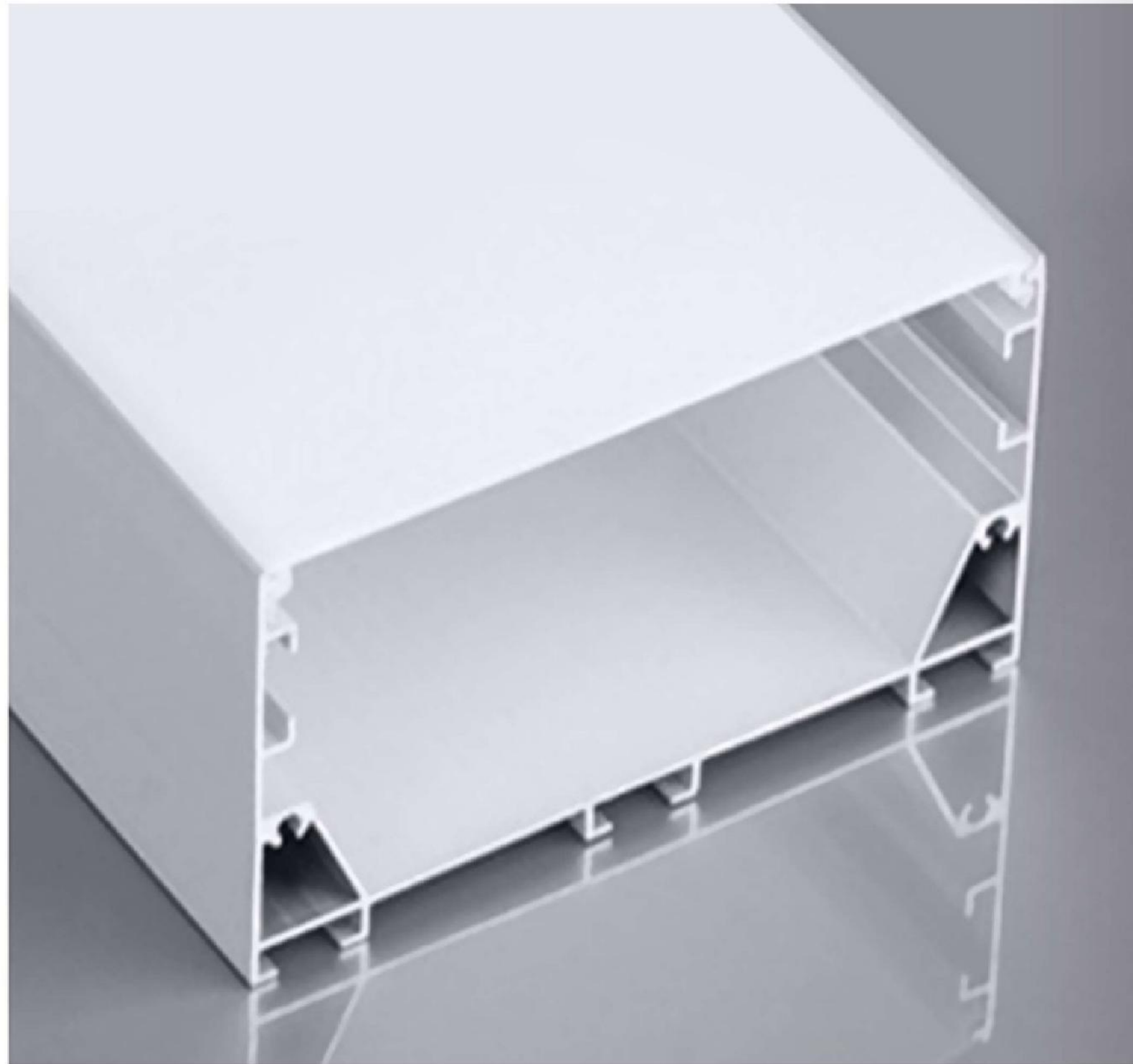


Installation step

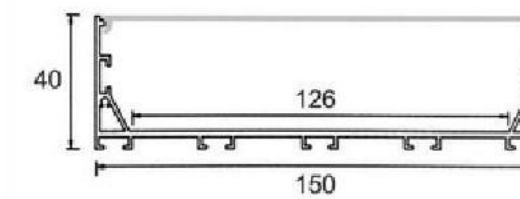


Installation step

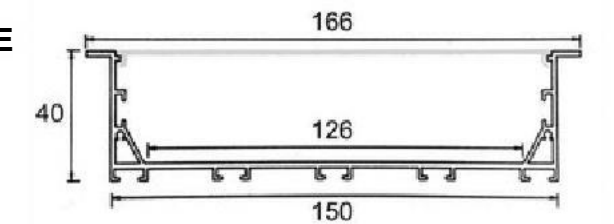




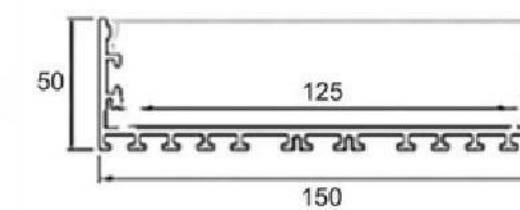
**TCLO15040**  
Unit:mm →



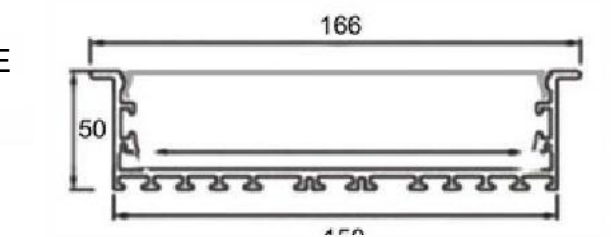
**TCLO15040E**  
Unit:mm →



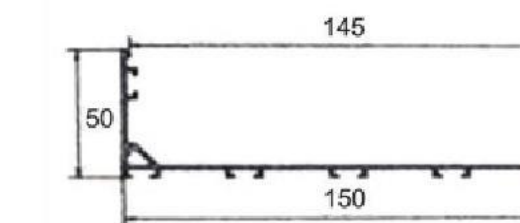
**TCLO15050**  
Unit:mm →  
Weight: 1.58kg/m



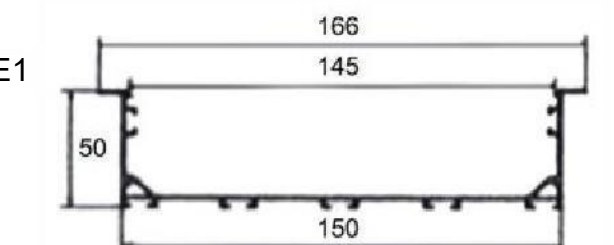
**TCLO15050E**  
Unit:mm →  
Weight: 1.74kg/m



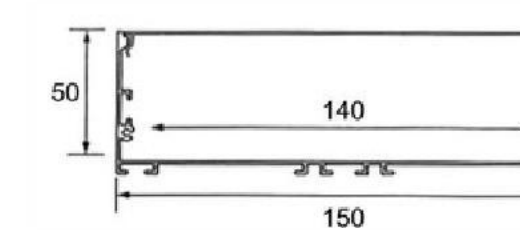
**TCLO150501**  
Unit:mm →



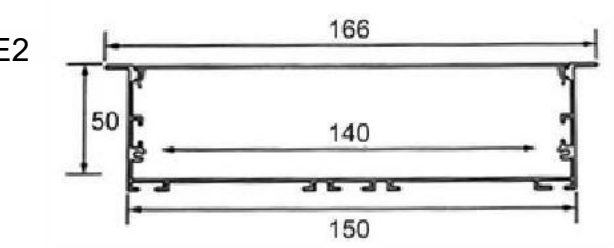
**TCLO15050E1**  
Unit:mm →



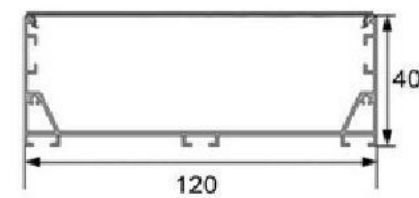
**TCLO150502**  
Unit:mm →



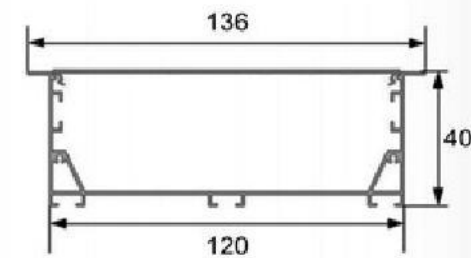
**TCLO15050E2**  
Unit:mm →



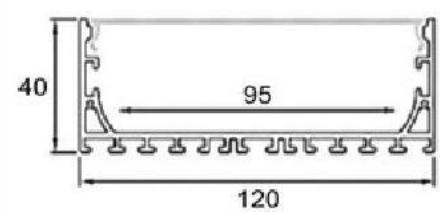
**TCLO12040**  
Unit:mm →



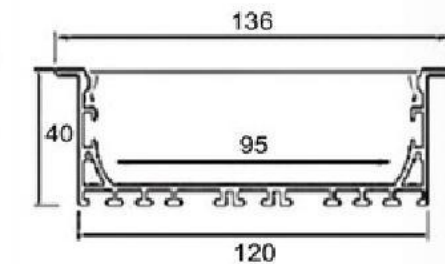
**TCLO12040E**  
Unit:mm →



**TCLO120401**  
Unit:mm →  
Weight: 1.1kg/m



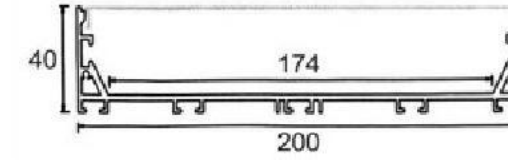
**TCLO12040E1**  
Unit:mm →  
Weight: 1.23kg/n



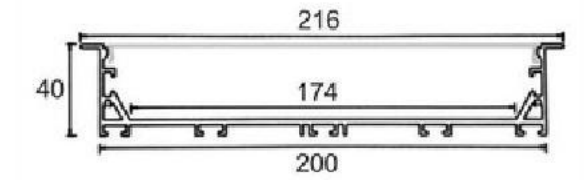
# Width of 90-200mm



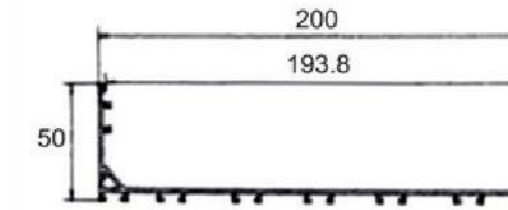
TCLO20040  
Unit: mm →



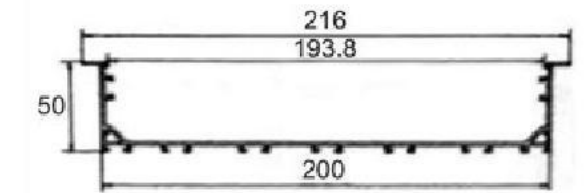
TCL O2C040E  
Unit: mm →



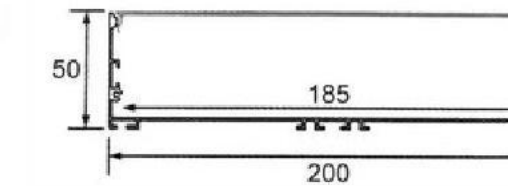
TCLO20050  
Unit: mm →



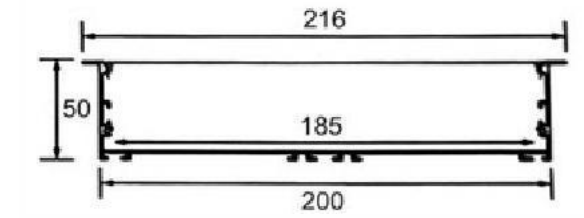
TCL O20050E  
Unit: mm →



TCLO200501  
Unit: mm →



TCL O20050E1  
Unit: mm →



# Award-Winning Lighting

Parify Lighting Ltd

Unit 14, The Courtyard, Whitwick Business Park,  
Stenson Road, Coalville, Leicester, Leicestershire, LE67 4JP

Tel: 01509 323 111

Email: [sales@parify.co.uk](mailto:sales@parify.co.uk)

Web: [parifylighting.co.uk](http://parifylighting.co.uk)

