



iLightsIn Pro Lighting Control

Controller

ZigBee 3.0

4 channel switchable



iLightsIn Pro is a kind of ZigBee 2.4G 4 in 1 LED strip controller and support ZigBee 3.0 standard protocol. One controller works with SC/ CCT/ RGB/ RGBW 4 kinds of LED strip by DIP switch. And there is another model for RGBCW strip as well.

With Amelech's ZigBee lighting control system, the controller manages short-distance or long-distance wireless control on LED lights by Mobile Phone, Tablet, PC, Wall Switch, Remote Control, Daylight Sensor and Motion Sensor.

AHLC502	project name/ index		
Z	ZigBee		
4S	SC/CCT/RGB/RGBW, 4 versions switchable		
4C	4-channel dim out		
XX	antenna option	IA	internal antenna
		EA	external antenna
OTA	over the air upgrade		
XX	protocol option	PRO	ZigBee HA1.2
		3.0	ZigBee 3.0

Terminal Definition

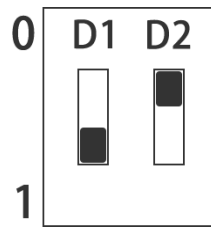
DC In	+	12V-48V input +
	-	12V-48V input -
DC Out	+	Common anode output
	1	1 st output -
	2	2 nd output -
	3	3 rd output -
	4	4 th output -

Switch Definition

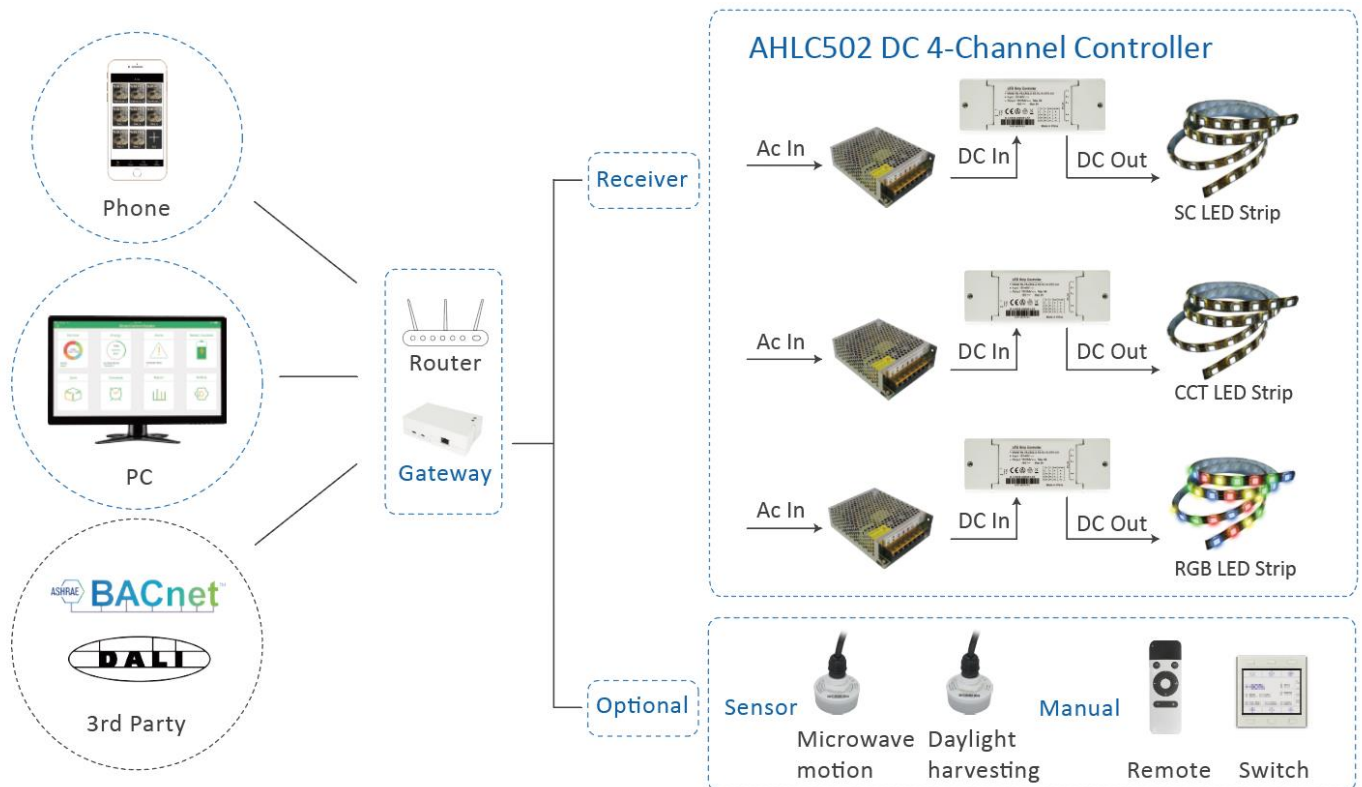
DIP Switch Mode

D1	D2	MODE
0	0	SC
0	1	CT
1	0	RGB
1	1	RGBW

Example: 10



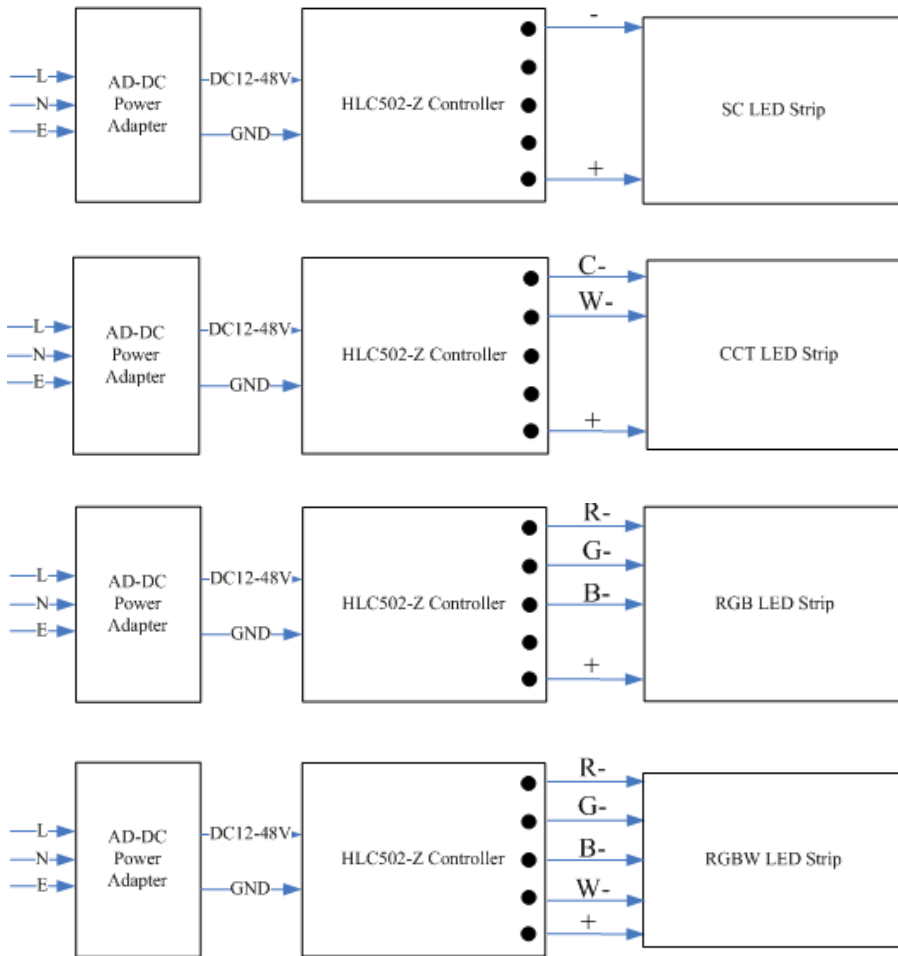
System Diagram



Parameter

Input Voltage	12V-48V
Output Voltage	12V-48V
Max Power	144W
Max Current of Relay	12V-24V 6A Max (Total), 36V-48V 3A Max (Total)
Control Range	30m
Connection Mode	Common Anode
Operating Temperature	-20°C to 45°C
N.W.	110g (No external Antenna), external antenna+ 8g
G.W.	136g (No external Antenna), external antenna+ 8g
Size	140x 50x 30mm
Package Size	155 x 56 x 40mm
Package	1PCS/ Package
Housing Material	PCV0

Wiring Diagram



Software Operation

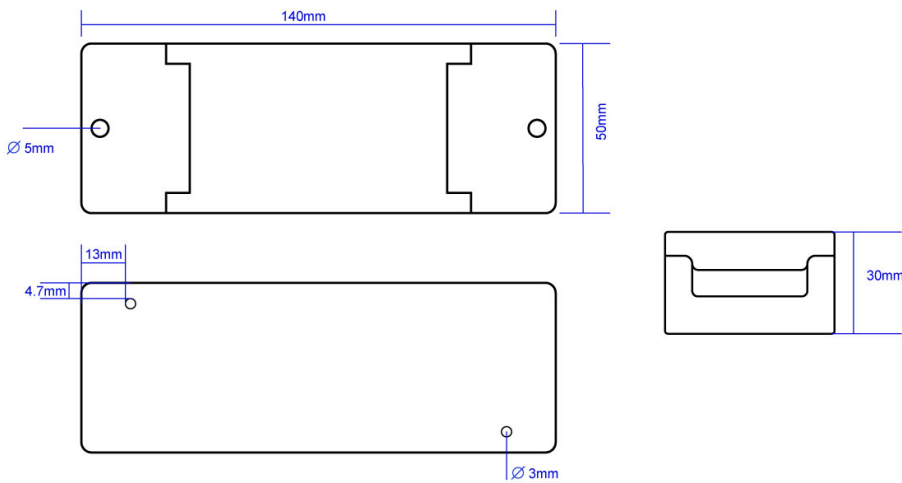
1. Initial states. Select DIP switch for working mode, then AC power on. If LED Strip blinks 4 times and stay on, it means the strip controller is in initial state.
2. First 30 minutes. The ZigBee controller in initial state is searchable by the ZigBee gateway in the first 30 minutes after power up.
3. Choose a gateway. Power on the ZigBee gateway, open the App "iLightsIn Pro", select gateway from Settings/Add device.
4. Add device. Click "Search" button. Light is on 30% after added successfully.
5. Create a new area and add the ZigBee controller into this area. On/off /dim this controller in this area.
6. Binding. Click "Binding Setting" on "Setting" page. Bind the ZigBee controller with motion sensor/ daylight sensor/ wall switch/ remote control.
7. For more operating details please refer to user manual of gateway.

Initial States Setting

1. Soft reset: keep the device powered on and delete it on the "iLightsIn Pro" App. Or,
2. Hard reset: power off the device and wait for > 3 secs, power on and wait for < 3 secs, power off power on, power off power on, 4 times in total.
3. If reset is successful, the light blinks 4 times and then stay ON. All data of the device is cleaned up.

Dimension

Product



External antenna

